

THIS DRAWING IS UNPUBLISHED.

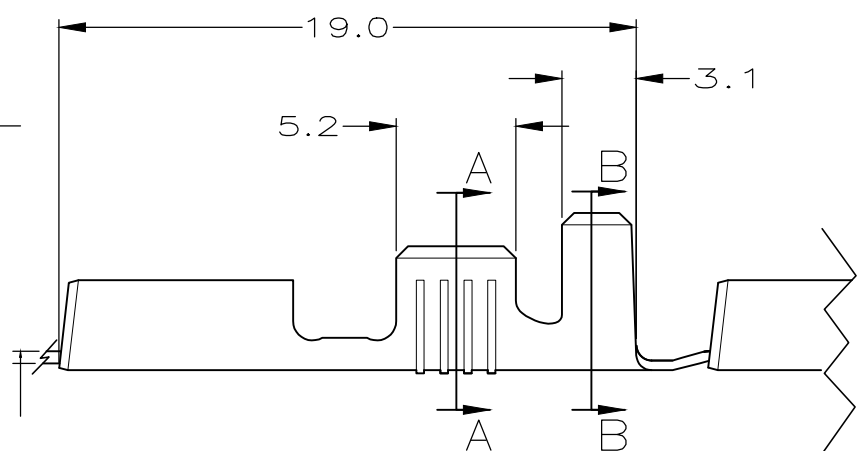
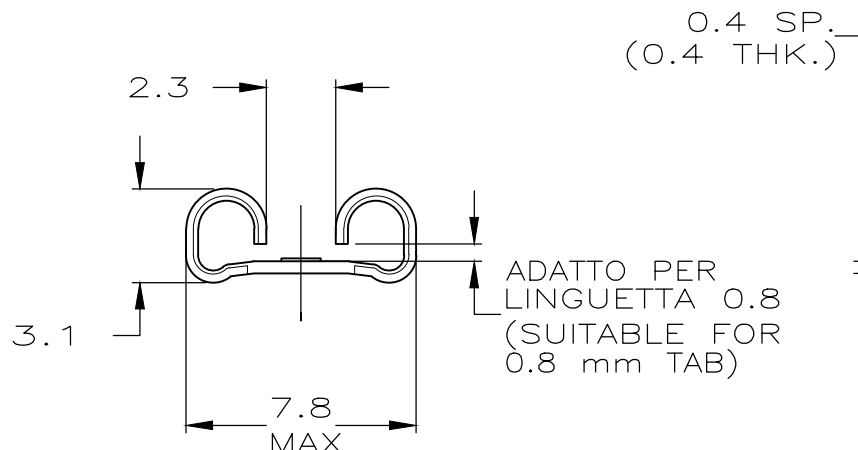
RELEASED FOR PUBLICATION

REVISIONS

© COPYRIGHT - TE Connectivity Ltd.

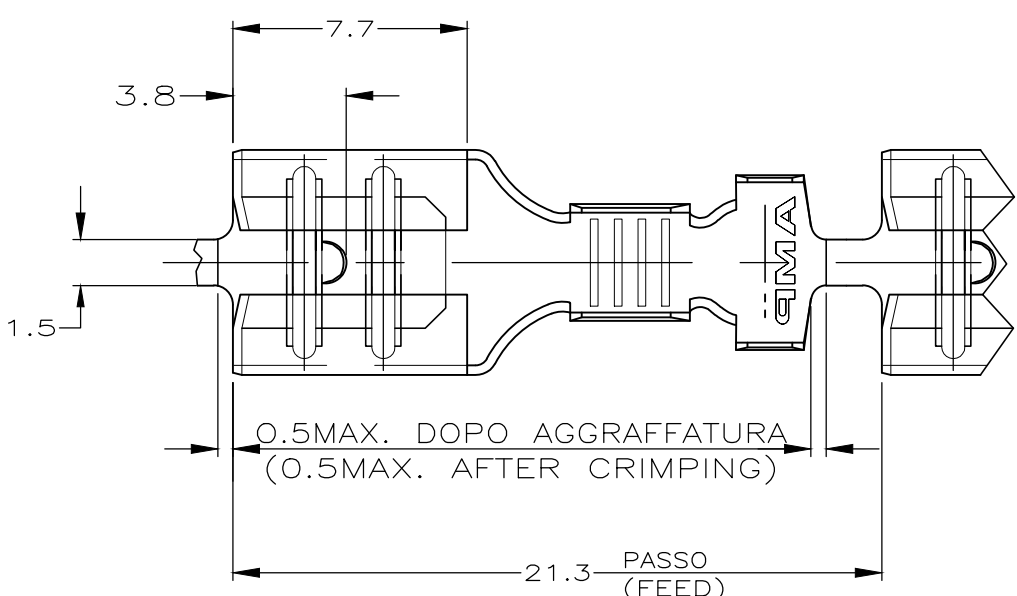
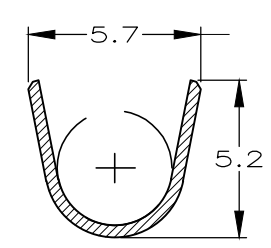
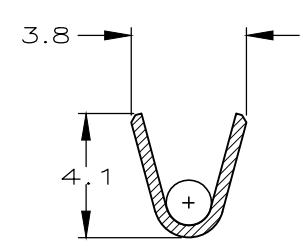
ALL RIGHTS RESERVED.

P	LTR	DESCRIPTION	DATE	DWN	APVD
	AH6	ECR-18-016037	10OCT2018	BH	RP



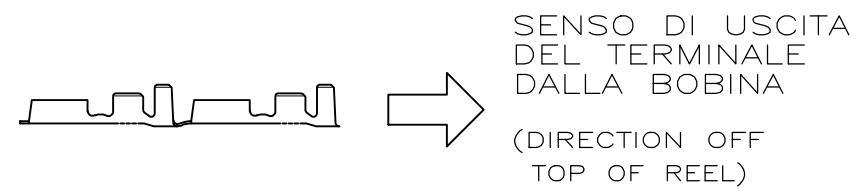
SEZIONE A-A (SECTION A-A)

SEZIONE B-B (SECTION B-B)



- 1 BOBINATO CON CARTA INTERPOSTA (REELED WITH INTERLEAVE PAPER STRIP).
- 2) SPECIFICA DI PRODOTTO 108-20019. (PRODUCT SPEC. 108-20019) SPECIFICA DI AGGRAFFATURA 114-20023. (APPLICATION SPEC. 114-20023).
- 3 P/N CON ALTA FORZA DI ESTRAZIONE (SUITABLE FOR HIGHER EXTRUCTION FORCE APPLICATION).
- 4 ~~OBSOLETE PARTS: OBSOLETE CIS STREAMLINING PER D.RENAUD/D.SINISI~~

STATO DI FORNITURA - SCALA 1:1 (SUPPLYING CONDITION - SCALE 1:1 -)



	1	STAGNATO (TIN PLTD)	OTTONE (BRASS)	1-280001-3	AH
	3	STAGNATO (TIN PLTD)	OTTONE (BRASS)	1-280001-2	AH
	3	NUDO (UNPLATED)	OTTONE (BRASS)	1-280001-1	AH
		NUDO (UNPLATED)	OTTONE (BRASS)	1-280001-0	AG
		STAGNATO (TIN PLTD)	OTTONE (BRASS)	0-280001-9	AG

THIS DRAWING IS A CONTROLLED DOCUMENT.		DWN A. FROLA 4 JUL 94	STE TE Connectivity Ltd.		
		CHK C. TARTARI 4 JUL 96			
DIMENSIONS: mm		APVD -	NAME		
TOLERANCES UNLESS OTHERWISE SPECIFIED:		PRODUCT SPEC -	FASTON Connector .250 sr. REC. CONTACT		
0 PLC ± -		APPLICATION SPEC -	-		
1 PLC ± - ±0.3		SIZE	CAGE CODE	DRAWING NO	RESTRICTED TO
2 PLC ± -		WEIGHT -	A3	00779	C-280001
3 PLC ± -		CUSTOMER DRAWING			
4 PLC ± -		SCALE	SHEET	REV	
ANGLES ±2'		4:1	1 OF 1	AH6	
FINISH -					