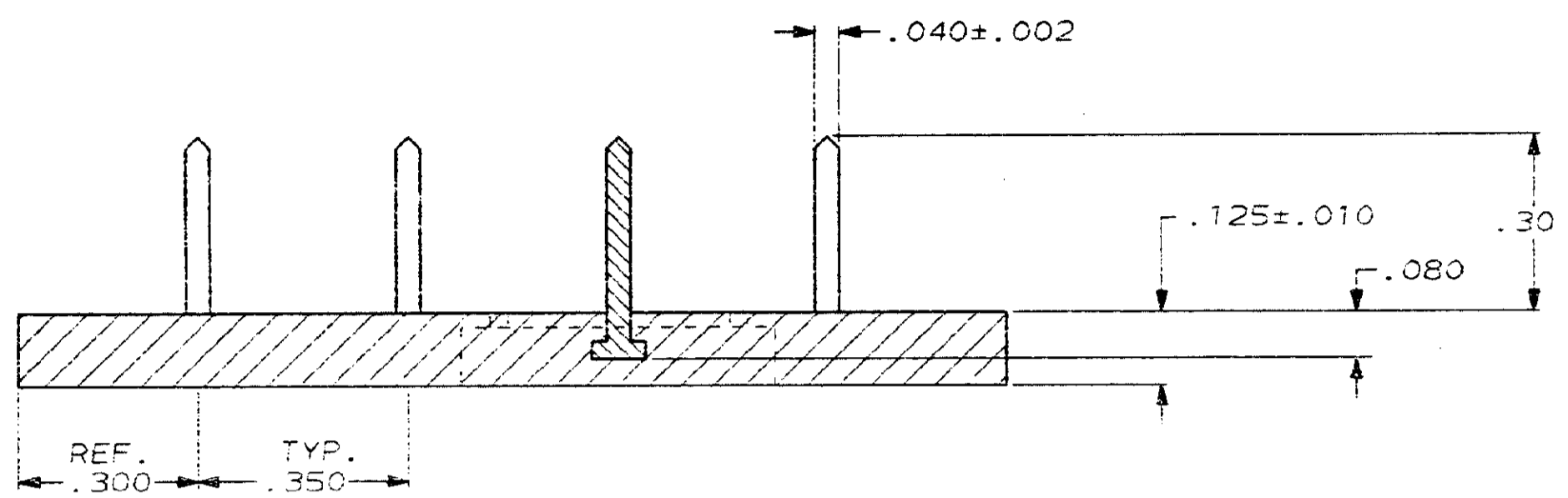


DRAWING MADE IN THIRD ANGLE PROJECTION

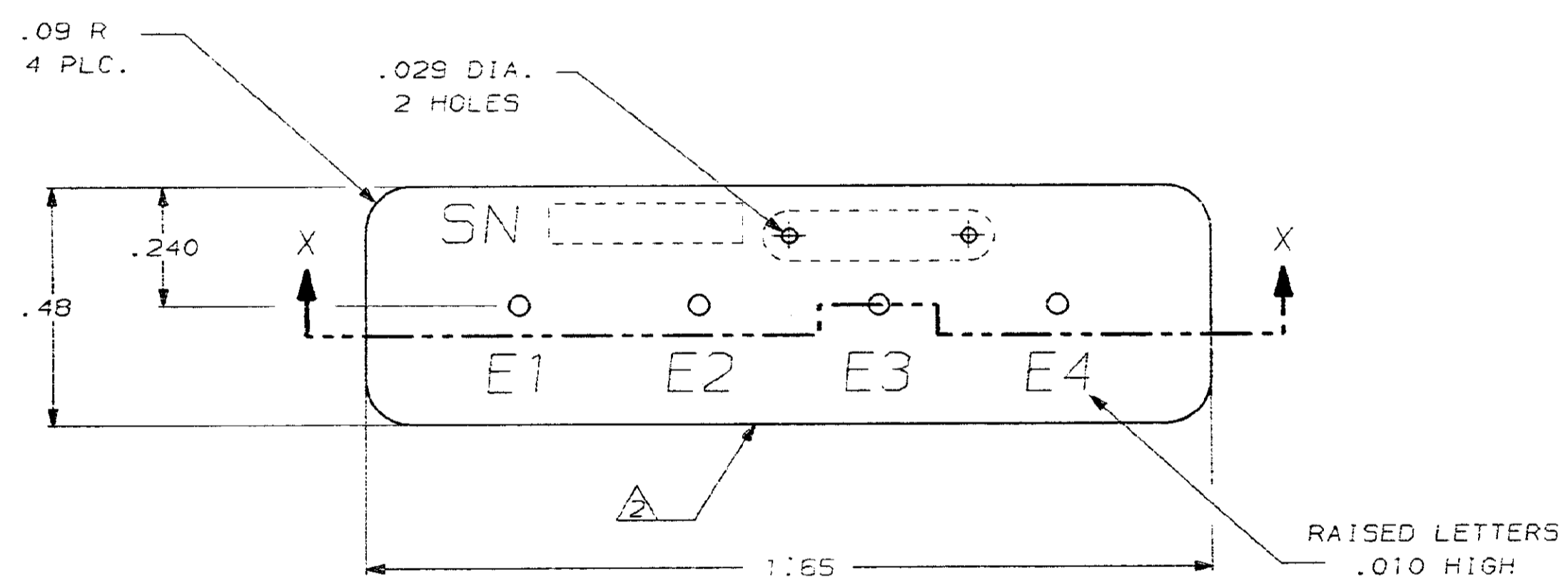
THIS DRAWING IS UNPUBLISHED. RELEASED FOR PUBLICATION .19
 © COPYRIGHT 19 BY AMP INCORPORATED. ALL INTERNATIONAL RIGHTS RESERVED.

LOC	DIST	REVISIONS					
P	F	ZONE	LTR	DESCRIPTION	DATE	APPD	
DF	A1			C	REVISD PER ECN DF-4405	5-29-91	DES
				D	REV PER ECN DF-5896	02-18-92	ETG



SECTION X-X

- ⚠ MATERIAL: GLASS FILLED THERMOPLASTIC VO RATED. COLOR: BLACK, PER MIL-M-24519.
- ⚠ CUSTOMER P/N, "AMP" AND DATE CODE LOCATED IN THIS APPROXIMATE AREA.



11750895	447381-1
CUSTOMER PART NO.	PART NO
AMP AMP Incorporated Harrisburg, PA 17105-3508	
NAME FUZE SYSTEM CONNECTOR TERMINAL BOARD ASSY.	
SIZE C	CAGE CODE 00779
DRAWING NO 447381	SHEET 1 OF 1
SCALE 4:1	

DO NOT SCALE PRINT. UNLESS SPECIFIED DIMENSIONS IN INCHES TOLERANCES ON: 2 PLC DEC ± .01 3 PLC DEC ± .005 ANGLES ± 1°	DR 8-4-90 D.DUDUKOVICH
	CHK 6-3-91 J.SCHOLZ
MATERIAL ⚠	APPD 6-3-91 J.SCHOLZ
	APPD 6-3-91 C.NIKOLOFF
FINISH -	PRODUCT SPEC -
	APPLICATION SPEC -
	WEIGHT -