



8-Channel/Dual 4-Channel, Low-Leakage, CMOS Analog Multiplexers

MAX3338/MAX3339

General Description

The MAX338/MAX339 are monolithic, CMOS analog multiplexers (muxes). The 8-channel MAX338 is designed to connect one of eight inputs to a common output by control of a 3-bit binary address. The dual, 4-channel MAX339 is designed to connect one of four inputs to a common output by control of a 2-bit binary address. Both devices can be used as either a mux or a demux. On-resistance is 400Ω max, and the devices conduct current equally well in both directions.

These muxes feature extremely low off leakages (less than 20pA at +25°C), and extremely low on-channel leakages (less than 50pA at +25°C). The new design offers guaranteed low charge injection (1.5pC typ) and electrostatic discharge (ESD) protection greater than 2000V, per method 3015.7. These improved muxes are pin-compatible upgrades for the industry-standard DG508A and DG509A. For similar Maxim devices with lower leakage and charge injection but higher on-resistance, see the MAX328 and MAX329.

The MAX338/MAX339 operate from a single +4.5V to +30V supply or from dual supplies of ±4.5V to ±20V. All control inputs (whether address or enable) are TTL compatible (+0.8V to +2.4V) over the full specified temperature range and over the ±4.5V to ±18V supply range. These parts are fabricated with Maxim's 44V silicon-gate process.

Applications

- Data-Acquisition Systems
- Test Equipment
- Military Radios
- Guidance and Control Systems
- PBX, PABX
- Sample-and-Hold Circuits
- Heads-Up Displays
- Communications Systems

Features

- ◆ On-Resistance, <400Ω max
- ◆ Transition Time, <500ns
- ◆ On-Resistance Match, <10Ω
- ◆ NO-Off Leakage Current, <20pA at +25°C
- ◆ 1.5pC Charge Injection
- ◆ Single-Supply Operation (+4.5V to +30V)
Bipolar-Supply Operation (±4.5V to ±20V)
- ◆ Plug-In Upgrade for Industry-Standard DG508A/DG509A
- ◆ Rail-to-Rail Signal Handling
- ◆ TTL/CMOS-Logic Compatible
- ◆ ESD Protection >2000V, per Method 3015.7

Ordering Information

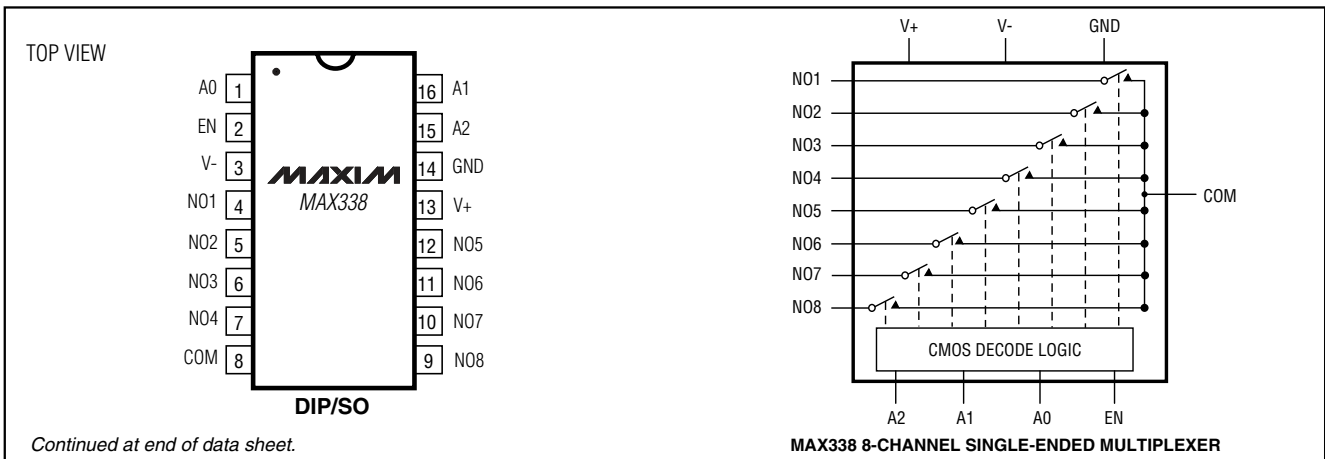
| PART | TEMP. RANGE | PIN-PACKAGE |
|-----------|-----------------|----------------|
| MAX338CPE | 0°C to +70°C | 16 Plastic DIP |
| MAX338CSE | 0°C to +70°C | 16 Narrow SO |
| MAX338C/D | 0°C to +70°C | Dice* |
| MAX338EGE | -40°C to +85°C | 16 QFN |
| MAX338EPE | -40°C to +85°C | 16 Plastic DIP |
| MAX338ESE | -40°C to +85°C | 16 Narrow SO |
| MAX338EJE | -40°C to +85°C | 16 CERDIP |
| MAX338MJE | -55°C to +125°C | 16 CERDIP** |

Ordering Information continued at end of data sheet.

* Contact factory for dice specifications.

** Contact factory for availability.

Pin Configurations/Functional Diagrams/Truth Tables



For pricing, delivery, and ordering information, please contact Maxim/Dallas Direct! at 1-888-629-4642, or visit Maxim's website at www.maxim-ic.com.

8-Channel/Dual 4-Channel, Low-Leakage, CMOS Analog Multiplexers

ABSOLUTE MAXIMUM RATINGS

Voltage Referenced to V-

V+-0.3V, 44V
GND-0.3V, 25V

Digital Inputs, NO, COM (Note 1).....(V- - 2V) to (V+ + 2V) or
30mA (whichever occurs first)

Continuous Current (any terminal).....30mA

Peak Current, NO or COM
(pulsed at 1ms, 10% duty cycle max)100mA

Continuous Power Dissipation (TA = +70°C)

Plastic DIP (derate 10.53mW/°C above +70°C)842mW

Narrow SO (derate 8.70mW/°C above +70°C)696mW

QFN (derate 19.2mW/°C above +70°C)1538mW

CERDIP (derate 10.00mW/°C above +70°C)800mW

Operating Temperature Ranges

MAX33_C_0°C to +70°C

MAX33_E_-40°C to +85°C

MAX33_MJE-55°C to +125°C

Storage Temperature Range-65°C to +150°C

Lead Temperature (soldering, 10sec)+300°C

Note 1: Signals on NO, COM, EN, A0, A1, or A2 exceeding V+ or V- are clamped by internal diodes. Limit forward current to maximum current ratings.

Stresses beyond those listed under "Absolute Maximum Ratings" may cause permanent damage to the device. These are stress ratings only, and functional operation of the device at these or any other conditions beyond those indicated in the operational sections of the specifications is not implied. Exposure to absolute maximum rating conditions for extended periods may affect device reliability.

ELECTRICAL CHARACTERISTICS—Dual Supplies

(V+ = +15V, V- = -15V, GND = 0V, VAH = +2.4V, VAL = +0.8V, TA = TMIN to TMAX, unless otherwise noted.)

| PARAMETER | SYMBOL | CONDITIONS | | MIN | TYP (Note 2) | MAX | UNITS | | | |
|--|--------------|--|----------------------|----------------------|-----------------|-------|-------|------|------|------|
| SWITCH | | | | | | | | | | |
| Analog Signal Range | VNO, VCOM | (Note 3) | | -15 | | 15 | V | | | |
| On-Resistance | RON | INO = 0.2mA, VCOM = ±10V | TA = +25°C | | 220 | 400 | Ω | | | |
| | | | TA = TMIN to TMAX | | | 500 | | | | |
| On-Resistance Matching Between Channels | ΔRON | INO = 0.2mA, VCOM = ±10V (Note 4) | TA = +25°C | | 4 | 10 | Ω | | | |
| | | | TA = TMIN to TMAX | | | 15 | | | | |
| NO-Off Leakage Current (Note 5) | INO(OFF) | VCOM = +10V, VNO = ±10V, VEN = 0V | TA = +25°C | | -0.02 | 0.001 | 0.02 | nA | | |
| | | | TA = TMIN to TMAX | C, E | | -1.25 | | | 1.25 | |
| | | | | M | | | -20 | | | 20 |
| COM-Off Leakage Current (Note 5) | ICOM(OFF) | VNO = ±10V, VCOM = +10V, VEN = 0V | MAX338 | TA = +25°C | | -0.05 | 0.005 | 0.05 | nA | |
| | | | | TA = TMIN to TMAX | C, E | | -3.25 | | | 3.25 |
| | | | | | M | | | -40 | | |
| | | VNO = +10V, VCOM = ±10V, VEN = 0V | MAX339 | TA = +25°C | | -0.05 | 0.005 | 0.05 | | |
| | | | | TA = TMIN to TMAX | C, E | | -1.65 | | | 1.65 |
| | | | | | M | | | -20 | | |
| COM-On Leakage Current (Note 5) | ICOM(ON) | VCOM = ±10V, VNO = ±10V, sequence each switch on | MAX338 | TA = +25°C | | -0.05 | 0.006 | 0.05 | nA | |
| | | | | TA = TMIN to TMAX | C, E | | -3.25 | | | 3.25 |
| | | | | | M | | | -40 | | |
| | | MAX339 | TA = +25°C | | -0.05 | 0.008 | 0.05 | | | |
| | | | TA = TMIN to TMAX | C, E | | -1.65 | | 1.65 | | |
| | | | | M | | | -20 | | | 20 |

8-Channel/Dual 4-Channel, Low-Leakage, CMOS Analog Multiplexers

MAX3338/MAX3339

ELECTRICAL CHARACTERISTICS—Dual Supplies (continued)

(V+ = +15V, V- = -15V, GND = 0V, V_{AH} = +2.4V, V_{AL} = +0.8V, T_A = T_{MIN} to T_{MAX}, unless otherwise noted.)

| PARAMETER | SYMBOL | CONDITIONS | | MIN | TYP (Note 2) | MAX | UNITS |
|---------------------------------------|-----------------------|--|---|------------------------|-----------------|-----|-------|
| INPUT | | | | | | | |
| Input Current with Input Voltage High | I _{AH} | V _A = 2.4V or 15V | | -1.0 | 0.001 | 1.0 | μA |
| Input Current with Input Voltage Low | I _{AL} | V _{EN} = 0V or 2.4V, V _A = 0V | | -1.0 | | 1.0 | μA |
| SUPPLY | | | | | | | |
| Power-Supply Range | | | | ±4.5 | | ±20 | V |
| Positive Supply Current | I ₊ | V _{EN} = V _A = 0V | T _A = +25°C | | 50 | 100 | μA |
| | | | T _A = T _{MIN} to T _{MAX} | | | 150 | |
| | | V _{EN} = 2.4V, V _{A(ALL)} = 2.4V | T _A = +25°C | | 290 | 500 | μA |
| | | | T _A = T _{MIN} to T _{MAX} | | | 600 | |
| Negative Supply Current | I ₋ | V _{EN} = 0V or 2.4V, V _{A(ALL)} = 0V, 2.4V or 5V | T _A = +25°C | | -1 | 1 | μA |
| | | | T _A = T _{MIN} to T _{MAX} | | | -10 | |
| DYNAMIC | | | | | | | |
| Transistion Time | t _{TRANS} | Figure 2 | T _A = +25°C | | 200 | 500 | ns |
| Break-Before-Make Interval | t _{OPEN} | Figure 4 | T _A = +25°C | 10 | 140 | | ns |
| Enable Turn-On Time | t _{ON(EN)} | Figure 3 | T _A = +25°C | | 160 | 500 | ns |
| | | | T _A = T _{MIN} to T _{MAX} | | | 750 | |
| Enable Turn-Off Time | t _{OFF(EN)} | Figure 3 | T _A = +25°C | | 100 | 500 | ns |
| | | | T _A = T _{MIN} to T _{MAX} | | | 750 | |
| Charge Injection (Note 3) | Q | C _L = 100pF, V _{NO} = 0V, R _S = 0Ω, Figure 6 | T _A = +25°C | | 1.5 | 5 | pC |
| Off Isolation (Note 6) | V _{ISO} | V _{EN} = 0V, R _L = 1kΩ, f = 100kHz | T _A = +25°C | | -75 | | dB |
| Crosstalk Between Channels | V _{CT} | V _{EN} = 2.4V, f = 100kHz, V _{GEN} = 1V _{P-P} , R _L = 1kΩ, Figure 7 | T _A = +25°C | | -92 | | dB |
| Logic Input Capacitance | C _{IN} | f = 1MHz | T _A = +25°C | | 2 | | pF |
| NO-Off Capacitance | C _{NO(OFF)} | f = 1MHz, V _{EN} = V _{NO} = 0V, Figure 8 | T _A = +25°C | | 3 | | pF |
| COM-Off Capacitance | C _{COM(OFF)} | f = 1MHz, V _{EN} = 0.8V, V _{COM} = 0V, Figure 8 | MAX3338 | T _A = +25°C | 11 | | pF |
| | | | MAX3339 | | 6 | | |
| COM-On Capacitance | C _{COM(ON)} | f = 1MHz, V _{EN} = 2.4V, V _{COM} = 0V, Figure 8 | MAX3338 | T _A = +25°C | 16 | | pF |
| | | | MAX3339 | | 9 | | |

8-Channel/Dual 4-Channel, Low-Leakage, CMOS Analog Multiplexers

ELECTRICAL CHARACTERISTICS—Single Supply

($V_+ = +12V$, $V_- = 0V$, $GND = 0V$, $V_{AH} = +2.4V$, $V_{AL} = +0.8V$, $T_A = T_{MIN}$ to T_{MAX} , unless otherwise noted.)

| PARAMETER | SYMBOL | CONDITIONS | | MIN | TYP (Note 2) | MAX | UNITS |
|----------------------------------|-------------------------|--|---------------------|-----|-----------------|-----|----------|
| SWITCH | | | | | | | |
| Analog Signal Range | V_{NO} , V_{COM} | (Note 3) | | 0 | | 12 | V |
| On-Resistance | R_{ON} | $I_{NO} = 0.2mA$ $V_{COM} = 3V$ or $10V$ | $T_A = +25^\circ C$ | | 460 | 650 | Ω |
| DYNAMIC | | | | | | | |
| Transition Time (Note 3) | t_{TRANS} | $V_{NO1} = 8V$, $V_{NO8} = 0V$, $V_{IN} = 2.4V$, Figure 1 | $T_A = +25^\circ C$ | | 210 | 500 | ns |
| Enable Turn-On Time (Note 3) | $t_{ON(EN)}$ | $V_{INH} = 2.4V$, $V_{INL} = 0V$, $V_{NO1} = 5V$, Figure 3 | $T_A = +25^\circ C$ | | 280 | 500 | ns |
| Enable Turn-Off Time (Note 3) | $t_{OFF(EN)}$ | $V_{INH} = 2.4V$, $V_{INL} = 0V$, $V_{NO1} = 5V$, Figure 3 | $T_A = +25^\circ C$ | | 110 | 500 | ns |
| Charge Injection (Note 3) | Q | $C_L = 100pF$, $V_{NO} = 0V$, $R_S = 0\Omega$ | $T_A = +25^\circ C$ | | 1.8 | 5 | pC |

Note 2: The algebraic convention where the most negative value is a minimum and the most positive value a maximum is used in this data sheet.

Note 3: Guaranteed by design.

Note 4: $\Delta R_{ON} = R_{ON(MAX)} - R_{ON(MIN)}$.

Note 5: Leakage parameters are 100% tested at the maximum rated hot temperature and guaranteed by correlation at $+25^\circ C$.

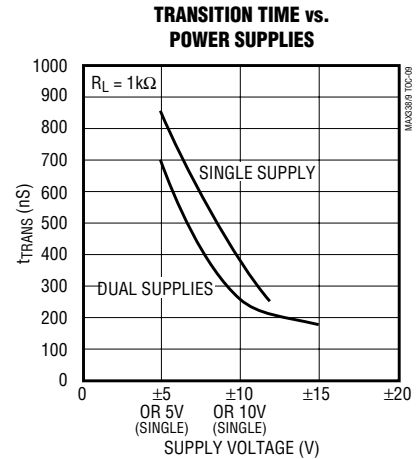
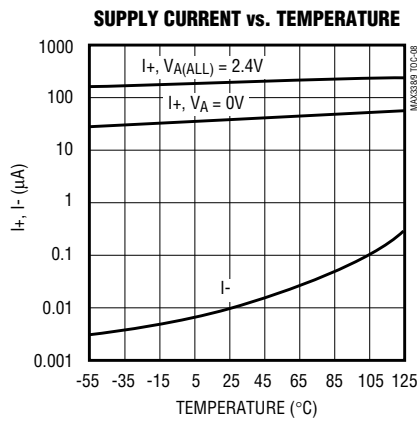
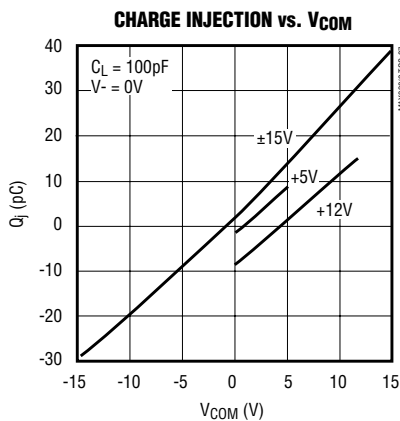
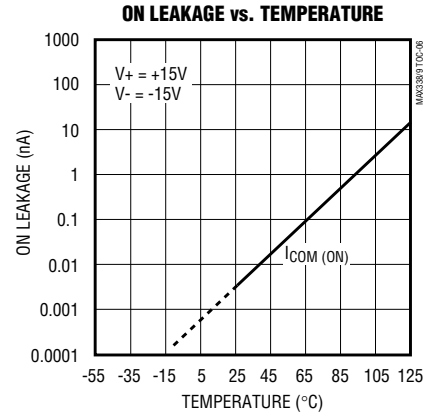
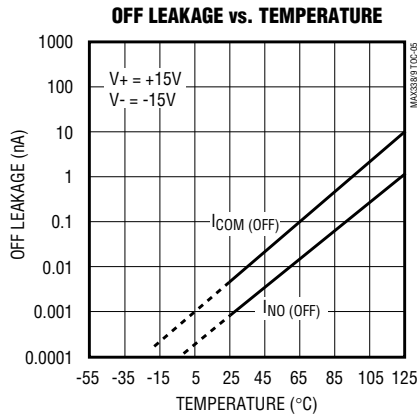
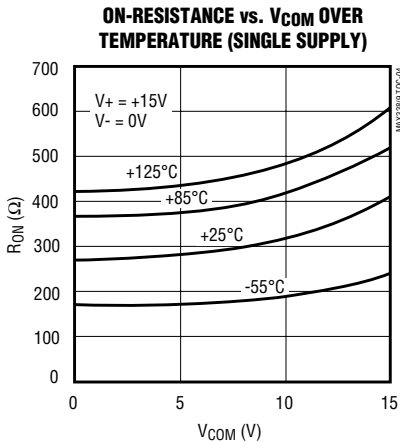
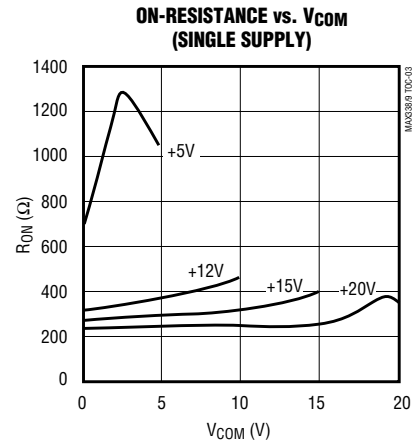
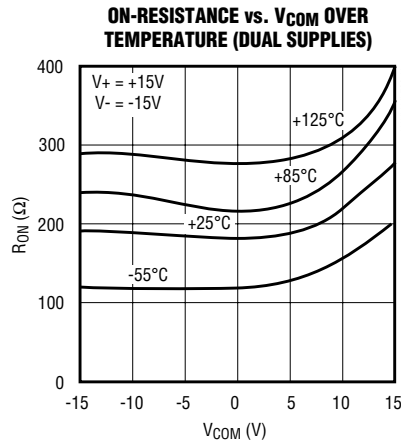
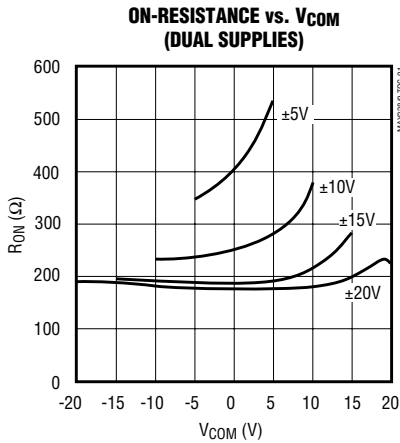
Note 6: Worst-case isolation is on channel 4 because of its proximity to the drain pin. Off isolation = $20 \log V_{COM}/V_{NO}$, where V_{COM} = output and V_{NO} = input to off switch.

8-Channel/Dual 4-Channel, Low-Leakage, CMOS Analog Multiplexers

Typical Operating Characteristics

($T_A = +25^\circ\text{C}$, unless otherwise noted.)

MAX3338/MAX3339



8-Channel/Dual 4-Channel, Low-Leakage, CMOS Analog Multiplexers

Pin Description

| PIN | | | | NAME | FUNCTION |
|------------|------------|--------|--------|------------|-------------------------------|
| MAX338 | | MAX339 | | | |
| DIP/SO | QFN | DIP/SO | QFN | | |
| 1, 15, 16, | 15, 14, 13 | — | — | A0, A2, A1 | Address Inputs |
| — | — | 1, 16 | 15, 14 | A0, A1 | Address Inputs |
| 2 | 16 | 2 | 16 | EN | Enable |
| 3 | 1 | 3 | 1 | V- | Negative-Supply Voltage Input |
| 4-7 | 2-5 | — | — | NO1-NO14 | Analog Inputs—Bidirectional |
| — | — | 4-7 | 2-5 | NO1A-NO4A | Analog Inputs—Bidirectional |
| 8 | 6 | — | — | COM | Analog Output—Bidirectional |
| — | — | 8, 9 | 6, 7 | COMA, COMB | Analog Outputs—Bidirectional |
| 9-12 | 7-10 | — | — | NO8-NO5 | Analog Inputs—Bidirectional |
| — | — | 10-3 | 8-11 | NO4B-NO1B | Analog Inputs—Bidirectional |
| 13 | 11 | 14 | 12 | V+ | Positive-Supply Voltage Input |
| 14 | 12 | 15 | 13 | GND | Ground |

Applications Information

Operation with Supply Voltages Other than 15V

Using supply voltages less than $\pm 15\text{V}$ will reduce the analog signal range. The MAX338/MAX339 switches operate with $\pm 4.5\text{V}$ to $\pm 20\text{V}$ bipolar supplies or with a $+4.5\text{V}$ to $+30\text{V}$ single supply. Connect V- to GND when operating with a single supply. Both device types can also operate with unbalanced supplies such as $+24\text{V}$ and -5V . The *Typical Operating Characteristics* graphs show typical on-resistance with 20V, 15V, 10V, and 5V supplies. (Switching times increase by a factor of two or more for operation at 5V.)

Overvoltage Protection

Proper power-supply sequencing is recommended for all CMOS devices. Do not exceed the absolute maximum ratings, because stresses beyond the listed ratings may cause permanent damage to the devices. Always sequence V+ on first, then V-, followed by the logic inputs NO and COM. If power-supply sequencing is not possible, add two small signal diodes in series with supply pins for overvoltage protection (Figure 1). Adding diodes reduces the analog signal range to 1V below V+ and 1V above V-, but does not affect the devices' low switch resistance and low leakage characteristics. Device operation is unchanged, and the difference between V+ and V- should not exceed 44V.

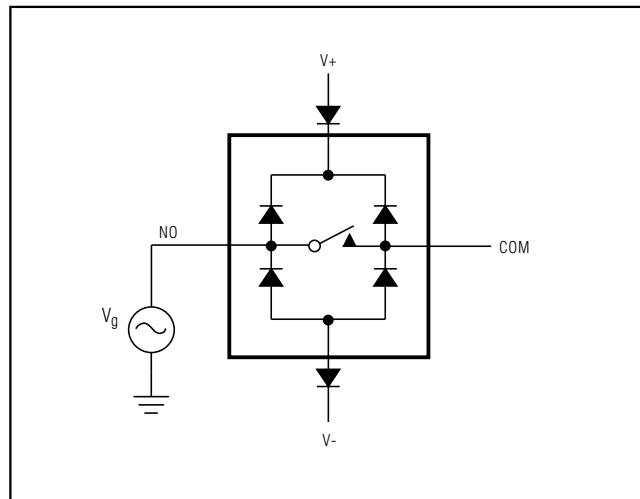


Figure 1. Overvoltage Protection Using External Blocking Diodes

8-Channel/Dual 4-Channel, Low-Leakage, CMOS Analog Multiplexers

Test Circuits/Timing Diagrams

MAX3338/MAX3339

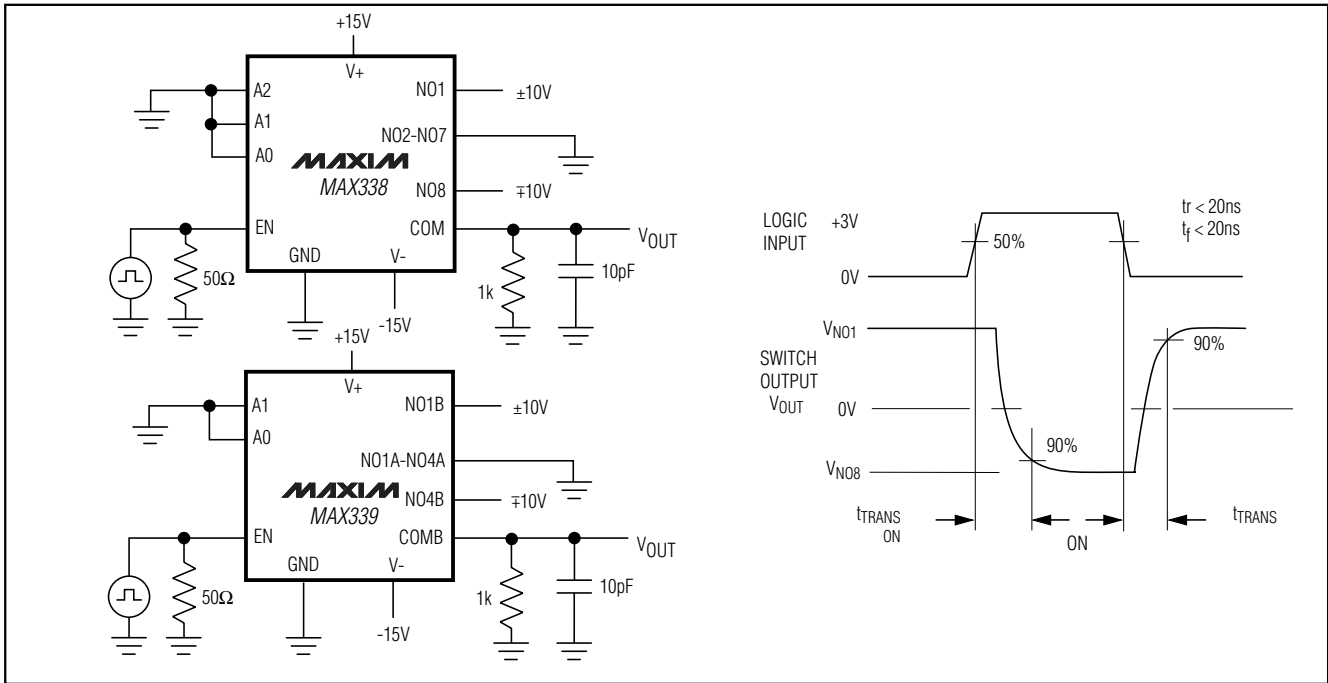


Figure 2. Transition Time

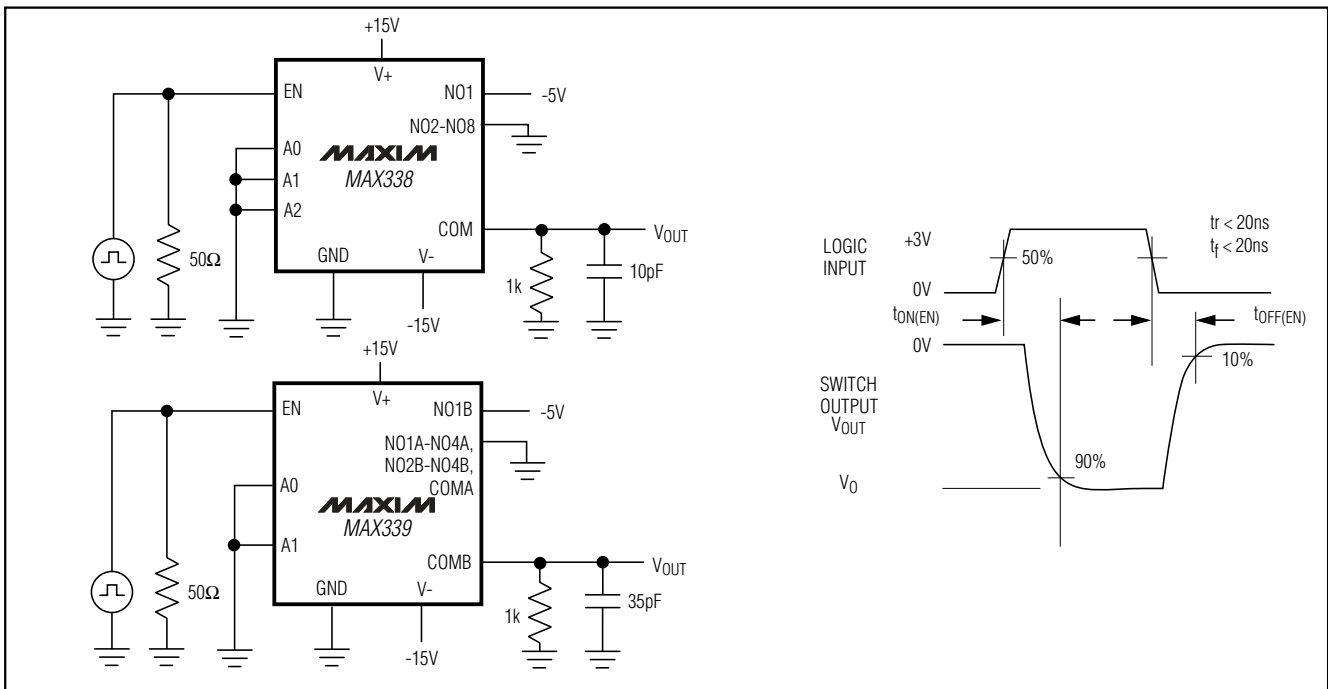


Figure 3. Enable Switching Time

8-Channel/Dual 4-Channel, Low-Leakage, CMOS Analog Multiplexers

Test Circuits/Timing Diagrams (continued)

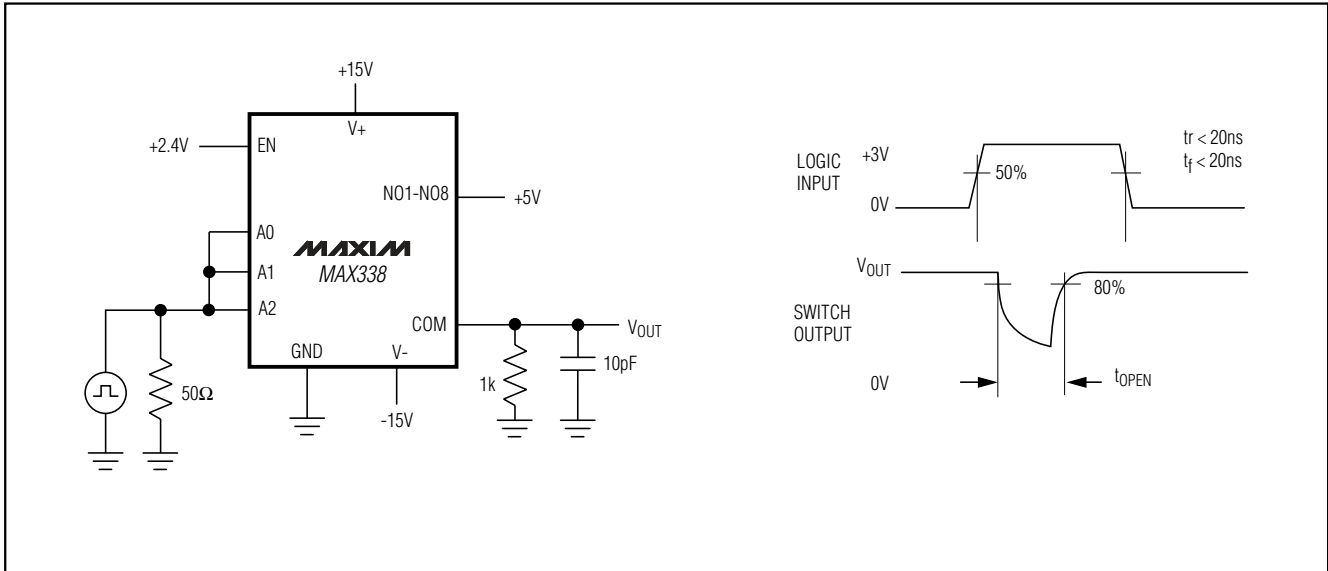


Figure 4. Break-Before-Make Interval

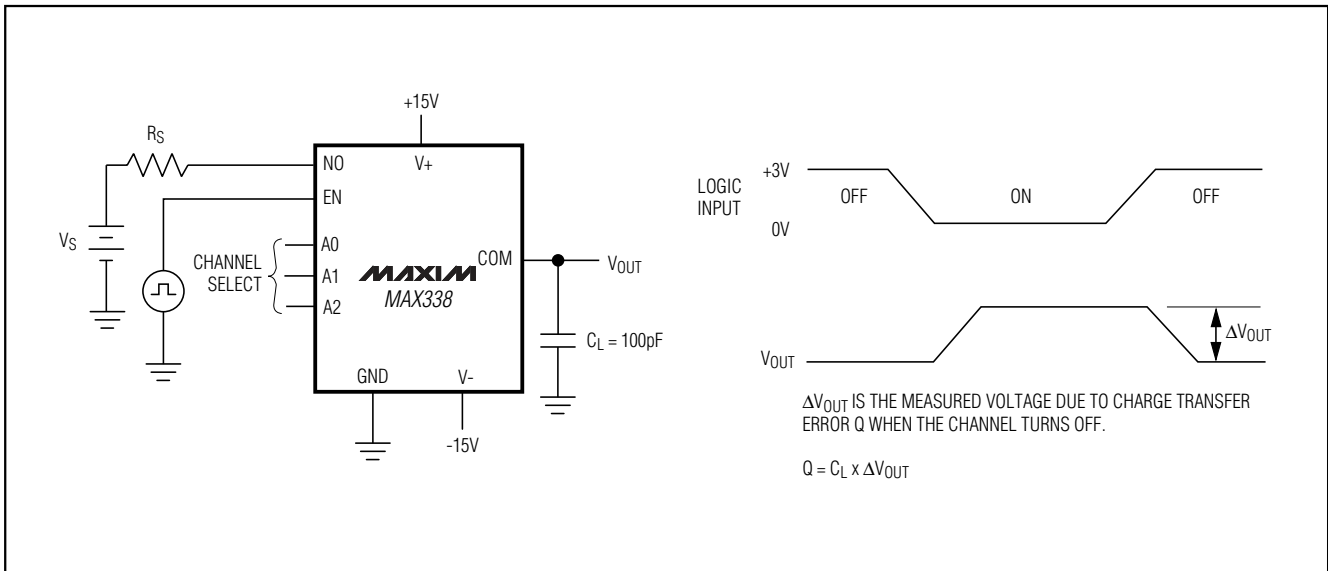


Figure 5. Charge Injection

8-Channel/Dual 4-Channel, Low-Leakage, CMOS Analog Multiplexers

Test Circuits/Timing Diagrams (continued)

MAX338/MAX339

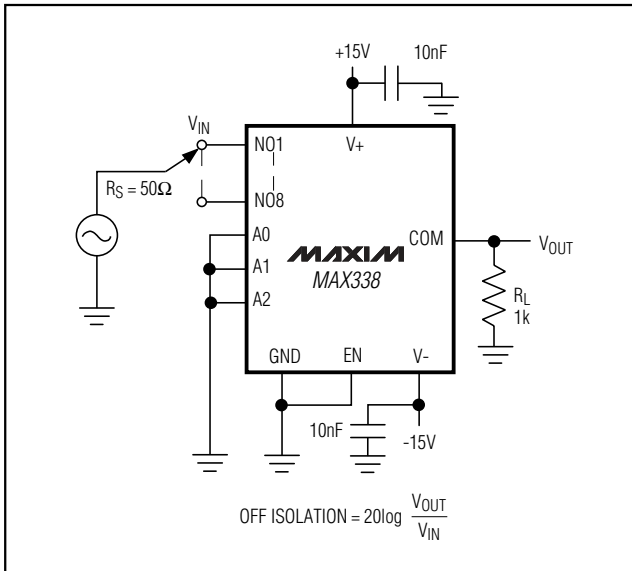


Figure 6. Off Isolation

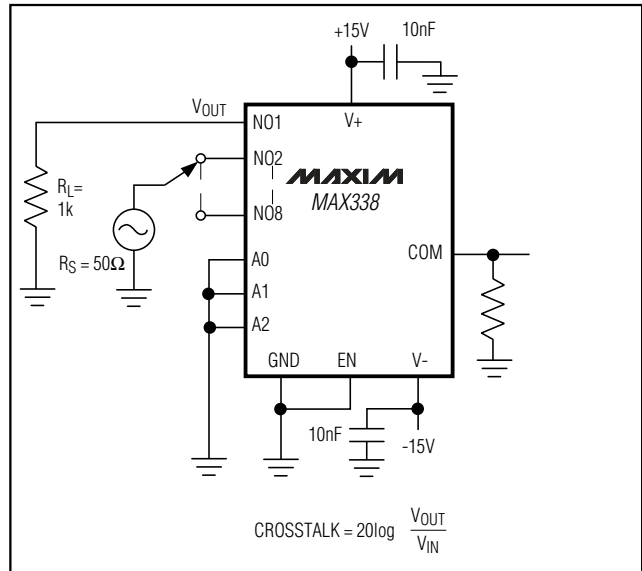


Figure 7. Crosstalk

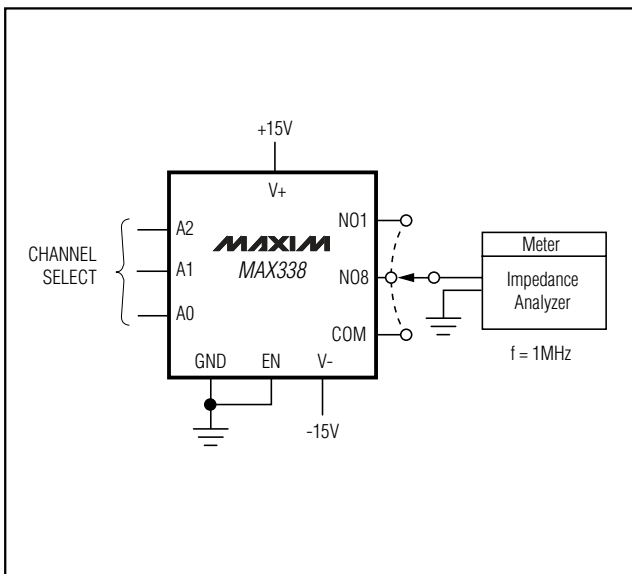
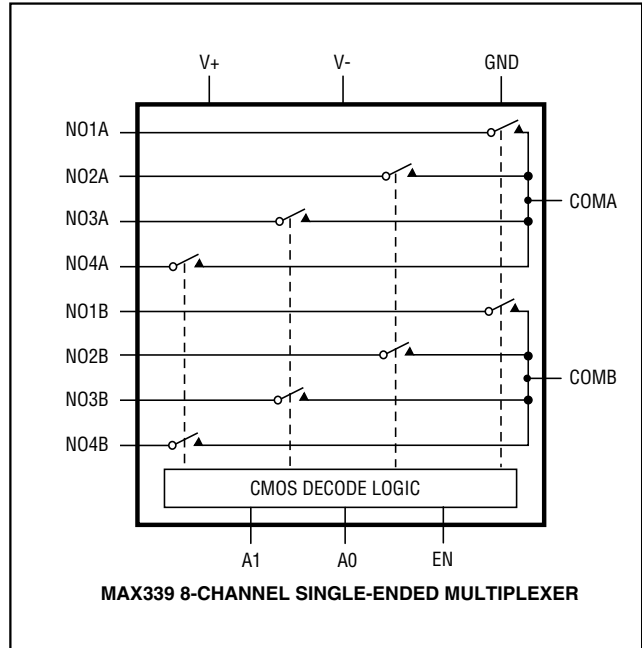
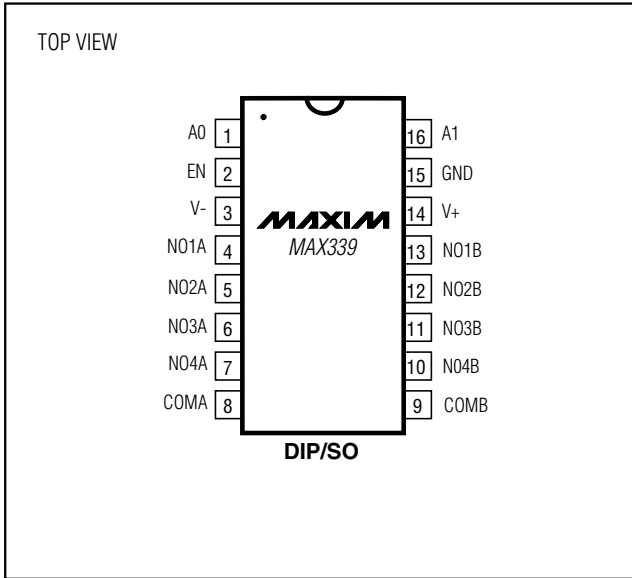


Figure 8. NO/COM Capacitance

8-Channel/Dual 4-Channel, Low-Leakage, CMOS Analog Multiplexers

Pin Configurations/Functional Diagrams/Truth Tables (continued)



| A2 | A1 | A0 | EN | ON SWITCH |
|----|----|----|----|-----------|
| X | X | X | 0 | None |
| 0 | 0 | 0 | 1 | 1 |
| 0 | 0 | 1 | 1 | 2 |
| 0 | 1 | 0 | 1 | 3 |
| 0 | 1 | 1 | 1 | 4 |
| 1 | 0 | 0 | 1 | 5 |
| 1 | 0 | 1 | 1 | 6 |
| 1 | 1 | 0 | 1 | 7 |
| 1 | 1 | 1 | 1 | 8 |

MAX338

LOGIC "0" $V_{AL} \leq 0.8V$, LOGIC "1" $V_{AH} \geq 2.4V$

| A1 | A0 | EN | ON SWITCH |
|----|----|----|-----------|
| X | X | 0 | None |
| 0 | 0 | 1 | 1 |
| 0 | 1 | 1 | 2 |
| 1 | 0 | 1 | 3 |
| 1 | 1 | 1 | 4 |

MAX339

LOGIC "0" $V_{AL} \leq 0.8V$, LOGIC "1" $V_{AH} \geq 2.4V$

8-Channel/Dual 4-Channel, Low-Leakage, CMOS Analog Multiplexers

MAX3338/MAX3339

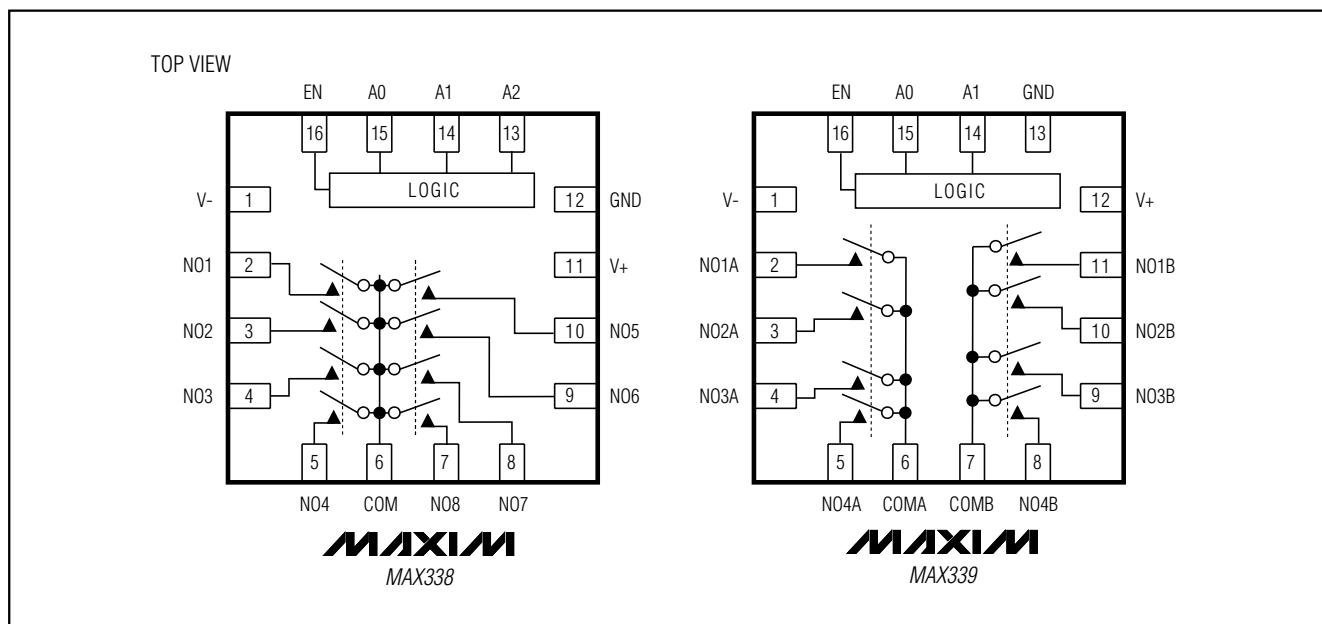
Ordering Information (continued)

| PART | TEMP. RANGE | PIN-PACKAGE |
|-----------|-----------------|----------------|
| MAX339CPE | 0°C to +70°C | 16 Plastic DIP |
| MAX339CSE | 0°C to +70°C | 16 Narrow SO |
| MAX339C/D | 0°C to +70°C | Dice* |
| MAX339EGE | -40°C to +85°C | 16 QFN |
| MAX339EPE | -40°C to +85°C | 16 Plastic DIP |
| MAX339ESE | -40°C to +85°C | 16 Narrow SO |
| MAX339EJE | -40°C to +85°C | 16 CERDIP |
| MAX339MJE | -55°C to +125°C | 16 CERDIP** |

* Contact factory for dice specifications.

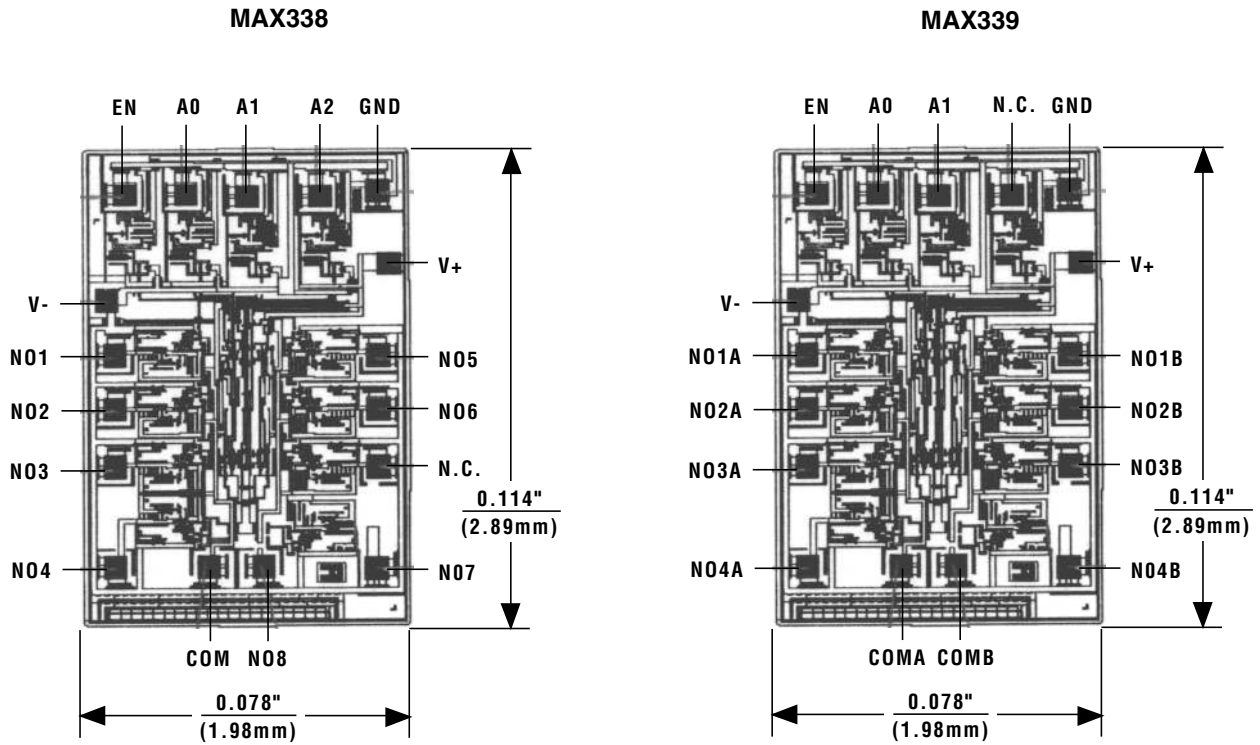
** Contact factory for availability.

Pin Configurations/Functional Diagrams/Truth Tables (continued)



8-Channel/Dual 4-Channel, Low-Leakage, CMOS Analog Multiplexers

Chip Topographies



N.C. = NO INTERNAL CONNECTION

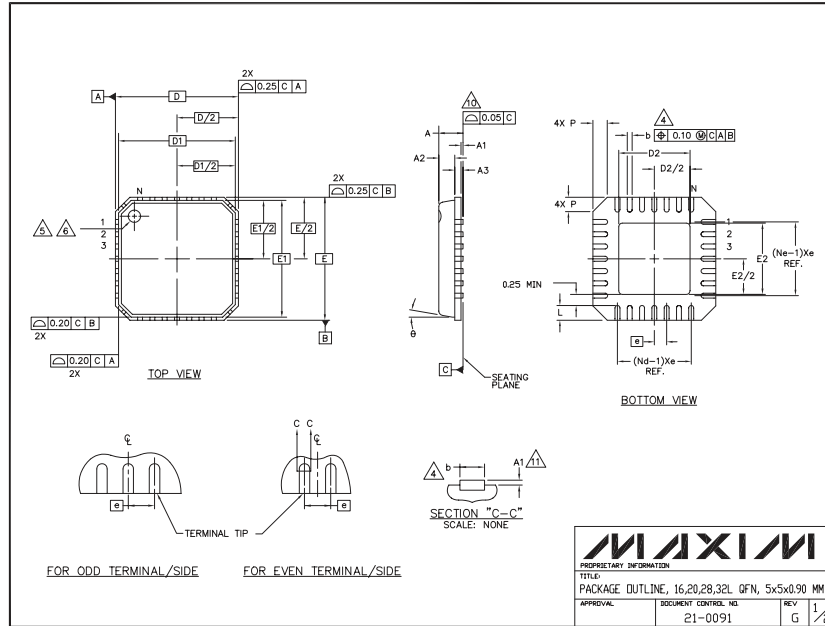
TRANSISTOR COUNT: 224
SUBSTRATE IS INTERNALLY CONNECTED TO V+

TRANSISTOR COUNT: 224
SUBSTRATE IS INTERNALLY CONNECTED TO V+

8-Channel/Dual 4-Channel, Low-Leakage, CMOS Analog Multiplexers

Package Information

MAX3338/MAX3339



NOTES:

- DIE THICKNESS ALLOWABLE IS 0.305mm MAXIMUM (.012 INCHES MAXIMUM)
- DIMENSIONING & TOLERANCES CONFORM TO ASME Y14.5M. - 1994.
- N IS THE NUMBER OF TERMINALS.
Nd IS THE NUMBER OF TERMINALS IN X-DIRECTION &
Ne IS THE NUMBER OF TERMINALS IN Y-DIRECTION.
- DIMENSION b APPLIES TO PLATED TERMINAL AND IS MEASURED BETWEEN 0.20 AND 0.25mm FROM TERMINAL TIP.
- THE PIN #1 IDENTIFIER MUST BE EXISTED ON THE TOP SURFACE OF THE PACKAGE BY USING INDENTATION MARK OR INK/ LASER MARKED.
- EXACT SHAPE AND SIZE OF THIS FEATURE IS OPTIONAL.
- ALL DIMENSIONS ARE IN MILLIMETERS.
- PACKAGE WARPAGE MAX 0.05mm.
- APPLIED FOR EXPOSED PAD AND TERMINALS. EXCLUDE EMBEDDED PART OF EXPOSED PAD FROM MEASURING.
- MEETS JEDEC MO220.
- THIS PACKAGE OUTLINE APPLIES TO ANVIL SINGULATION (STEPPED SIDES) AND TO SAW SINGULATION (STRAIGHT SIDES) QFN STYLES.

| DIM. | COMMON DIMENSIONS | | | TYP. |
|------|-------------------|------|------|------|
| | MIN. | NOM. | MAX. | |
| A | 0.00 | 0.50 | 1.00 | |
| A1 | 0.00 | 0.01 | 0.05 | |
| A2 | 0.00 | 0.25 | 1.00 | |
| A3 | 0.20 REF. | | | |
| D | 5.00 BSC | | | |
| D1 | 4.75 BSC | | | |
| E | 5.00 BSC | | | |
| E1 | 4.75 BSC | | | |
| b | 0* | - | 12* | |
| P | 0 | - | 0.60 | |
| D2 | 1.25 | - | 3.25 | |
| E2 | 1.25 | - | 3.25 | |

| PITCH VARIATION B | | | | PITCH VARIATION B | | | | PITCH VARIATION C | | | | PITCH VARIATION D | | | |
|-------------------|------|------|-------|-------------------|------|------|-------|-------------------|------|------|-------|-------------------|------|------|-------|
| MIN. | NOM. | MAX. | TERMS | MIN. | NOM. | MAX. | TERMS | MIN. | NOM. | MAX. | TERMS | MIN. | NOM. | MAX. | TERMS |
| 0.80 | BSC | | | 0.65 | BSC | | | 0.50 | BSC | | | 0.50 | BSC | | |
| 16 | | | 3 | 20 | | | 3 | 28 | | | 3 | 32 | | | 3 |
| 4 | | | 3 | 5 | | | 3 | 7 | | | 3 | 8 | | | 3 |
| 4 | | | 3 | 5 | | | 3 | 7 | | | 3 | 8 | | | 3 |
| L | 0.35 | 0.55 | 0.75 | L | 0.35 | 0.55 | 0.75 | L | 0.35 | 0.55 | 0.75 | L | 0.30 | 0.40 | 0.50 |
| b | 0.28 | 0.33 | 0.40 | b | 0.23 | 0.28 | 0.35 | b | 0.18 | 0.23 | 0.30 | b | 0.18 | 0.23 | 0.30 |

MAXIM

PROPRIETARY INFORMATION
 TITLE: PACKAGE OUTLINE, 16,20,28,32L QFN, 5x5x0.90 MM
 APPROVAL: DOCUMENT CONTROL NO: 21-0091 REV: G 2/2

Maxim cannot assume responsibility for use of any circuitry other than circuitry entirely embodied in a Maxim product. No circuit patent licenses are implied. Maxim reserves the right to change the circuitry and specifications without notice at any time.

Maxim Integrated Products, 120 San Gabriel Drive, Sunnyvale, CA 94086 408-737-7600 _____ 13