

1-163087-1 ✓ ACTIVE

AMP | AMP Type III+

TE Internal #: 1-163087-1

Power Contacts, Contact, Gold, 24 – 20 AWG Wire Size, .2 – .6 mm² Wire Size, Wire & Cable, Crimp, Power & Signal, Socket, AMP Type III+

[View on TE.com >](#)



Connectors > Power Connectors > Power Contacts



Power Contact Type: **Contact**

Contact Mating Area Plating Material: **Gold**

Wire Size: **.2 – .6 mm²**

Connector & Contact Terminates To: **Wire & Cable**

Features

Product Type Features

Compatible With Discrete Wire Type	Stranded
Power Contact Type	Contact
Connector & Contact Terminates To	Wire & Cable

Contact Features

Contact Size	Size 16
Barrel Type	Open
Contact Mating Area Plating Material	Gold
Contact Current Rating (Max)	7.5 A
Contact Type	Socket
Contact Retention Within Housing	With
Mating Pin Diameter	1.58 mm[.062 in]
Contact Base Material	Brass
Contact Mating Area Plating Material Thickness	.76 – 1 μm[30 – 40 μin]
Wire Contact Termination Area Plating Thickness	1 – 2 μm[40 – 78 μin]
Wire Contact Termination Area Plating Material	Tin



Contact Orientation	Straight
Contact Underplating Material	Nickel
Contact Underplating Material Thickness	.8 – 1.5 μm[31.49 – 60 μin]

Termination Features

Termination Method to Wire & Cable	Crimp
------------------------------------	-------

Mechanical Attachment

Wire Insulation Support	With
-------------------------	------

Dimensions

Wire Size	.2 – .6 mm ²
Compatible Insulation Diameter Range	1.1 – 1.8 mm[.043 – .071 in]

Usage Conditions

Operating Temperature Range	-50 – 150 °C[-58 – 302 °F]
-----------------------------	----------------------------

Operation/Application

Circuit Application	Power & Signal
---------------------	----------------

Packaging Features

Packaging Quantity	5000
Packaging Method	Reel

Product Compliance

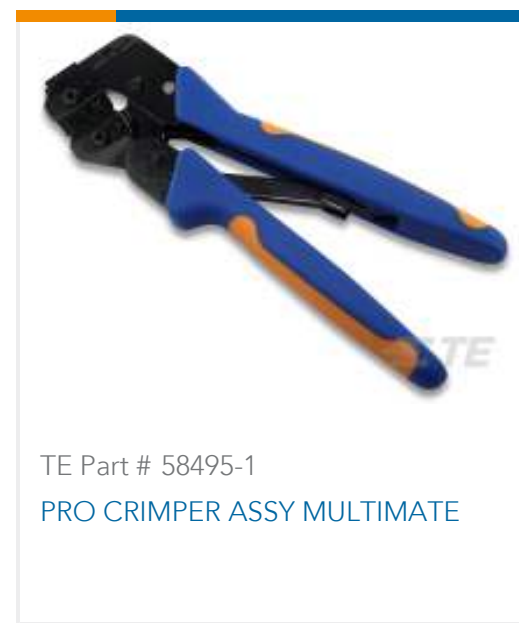
[For compliance documentation, visit the product page on TE.com>](#)

EU RoHS Directive 2011/65/EU	Compliant
EU ELV Directive 2000/53/EC	Compliant
China RoHS 2 Directive MIIT Order No 32, 2016	No Restricted Materials Above Threshold
EU REACH Regulation (EC) No. 1907/2006	Current ECHA Candidate List: JUNE 2023 (235) Candidate List Declared Against: JAN 2023 (233) Does not contain REACH SVHC
Halogen Content	Low Halogen - Br, Cl, F, I < 900 ppm per homogenous material. Also BFR/CFR/PVC Free
Solder Process Capability	Not applicable for solder process capability

Product Compliance Disclaimer

This information is provided based on reasonable inquiry of our suppliers and represents our current actual knowledge based on the information they provided. This information is subject to change. The part numbers that TE has identified as EU RoHS compliant have a maximum concentration of 0.1% by weight in homogenous materials for lead, hexavalent chromium, mercury, PBB, PBDE, DBP, BBP, DEHP, DIBP, and 0.01% for cadmium, or qualify for an exemption to these limits as defined in the Annexes of Directive 2011/65/EU (RoHS2). Finished electrical and electronic equipment products will be CE marked as required by Directive 2011/65/EU. Components may not be CE marked. Additionally, the part numbers that TE has identified as EU ELV compliant have a maximum concentration of 0.1% by weight in homogenous materials for lead, hexavalent chromium, and mercury, and 0.01% for cadmium, or qualify for an exemption to these limits as defined in the Annexes of Directive 2000/53/EC (ELV). Regarding the REACH Regulation, the information TE provides on SVHC in articles for this part number is based on the latest European Chemicals Agency (ECHA) 'Guidance on requirements for substances in articles' posted at this URL: <https://echa.europa.eu/guidance-documents/guidance-on-reach>

Compatible Parts

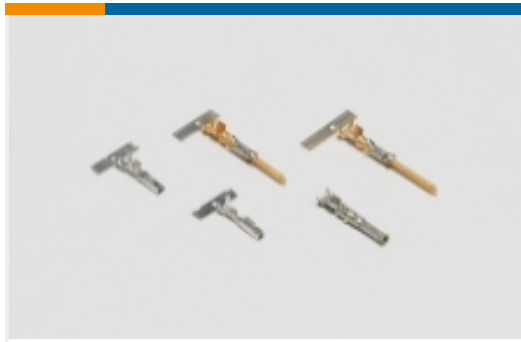




Also in the Series | AMP Type III+



Insertion & Extraction Tools(4)

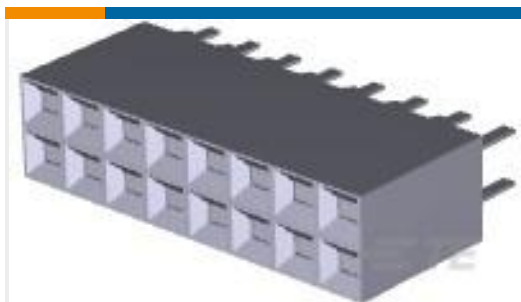


Power Contacts(409)

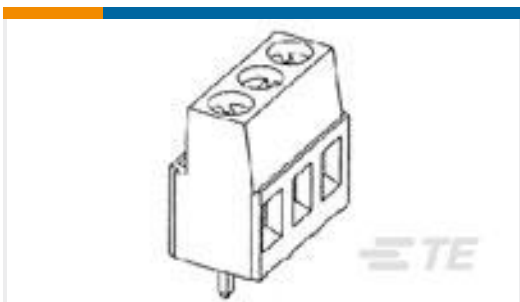
Customers Also Bought



TE Part #1-1393243-1
RTE24048



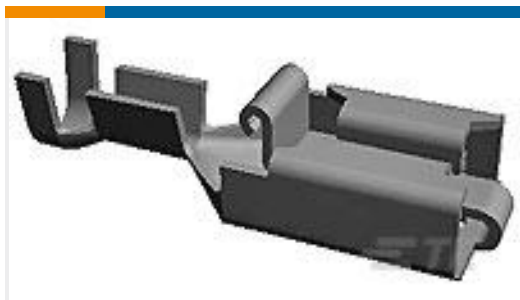
TE Part #5-534998-8
16 MODIV VRT DR CE 100/125



TE Part #796683-6
TERMI-BLOK PCB MOUNT 90 6P.



TE Part #166294-1
20DF CRIMP PIN



TE Part #341001-3
PL 250 REC TERMINAL 13-11 TPBR LP



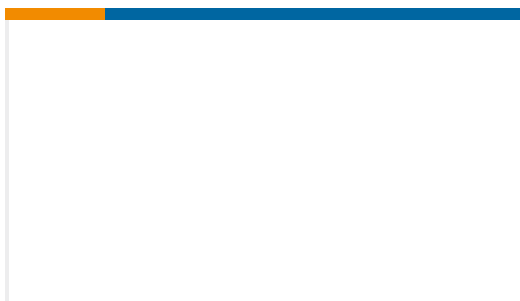
TE Part #234459-E
SRCA 1,27 3 F 1 I2426 137 * 094 1,07
TRA



TE Part #829154-4
4P AMP-QUICK STLEI



TE Part #361511-4
DWP-125-1/4-0-STK



TE Part #361511-7
DWP-125-3/4-0-STK

Documents

Product Drawings

SPEC.PLATED

English

CAD Files

3D PDF

English



Customer View Model

[ENG_CVM_1-163087-1_AD.2d_dxf.zip](#)

English

Customer View Model

[ENG_CVM_1-163087-1_AD.3d_igs.zip](#)

English

Customer View Model

[ENG_CVM_1-163087-1_AD.3d_stp.zip](#)

English

Customer View Model

[ENG_CVM_CVM_1-163087-1_AD1.3d_igs.zip](#)

English

Customer View Model

[ENG_CVM_CVM_1-163087-1_AD1.3d_stp.zip](#)

English

Customer View Model

[ENG_CVM_CVM_1-163087-1_AD1.2d_dxf.zip](#)

English

3D PDF

3D

By downloading the CAD file I accept and agree to the [Terms and Conditions](#) of use.

Product Specifications

[Product Specification](#)

English