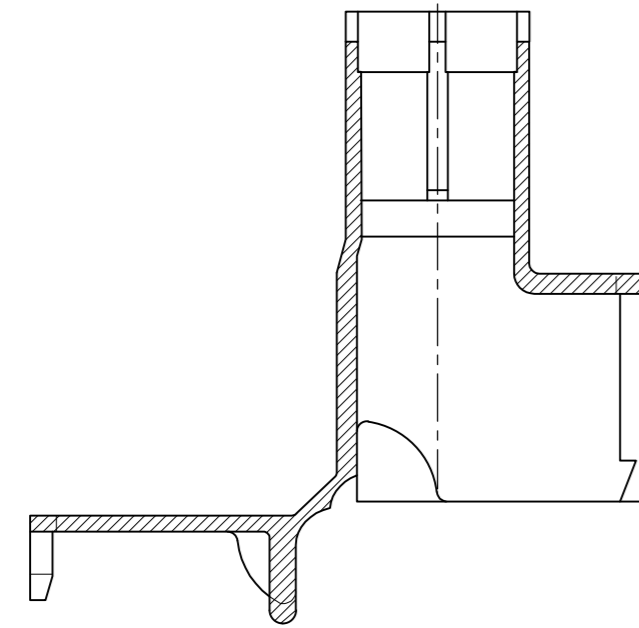
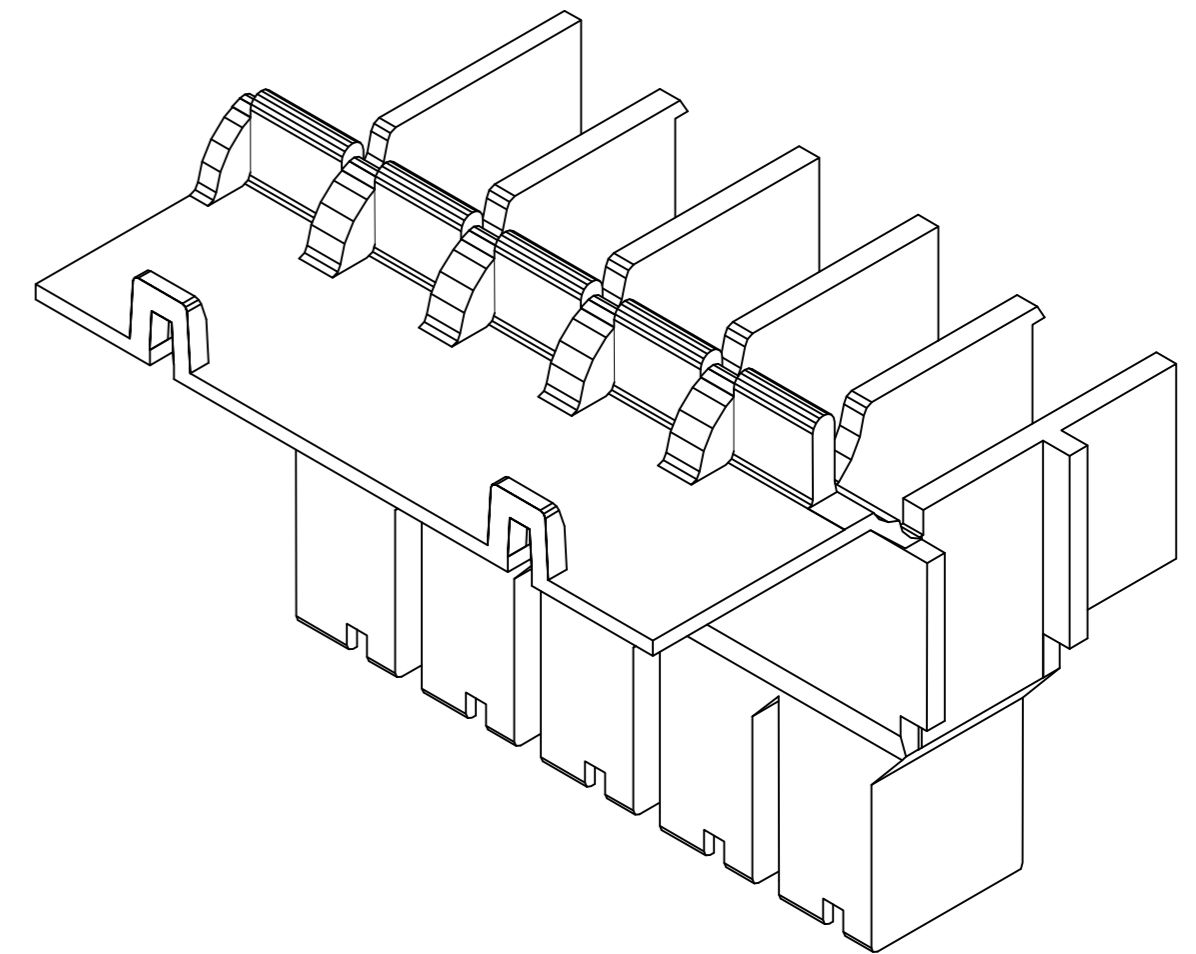
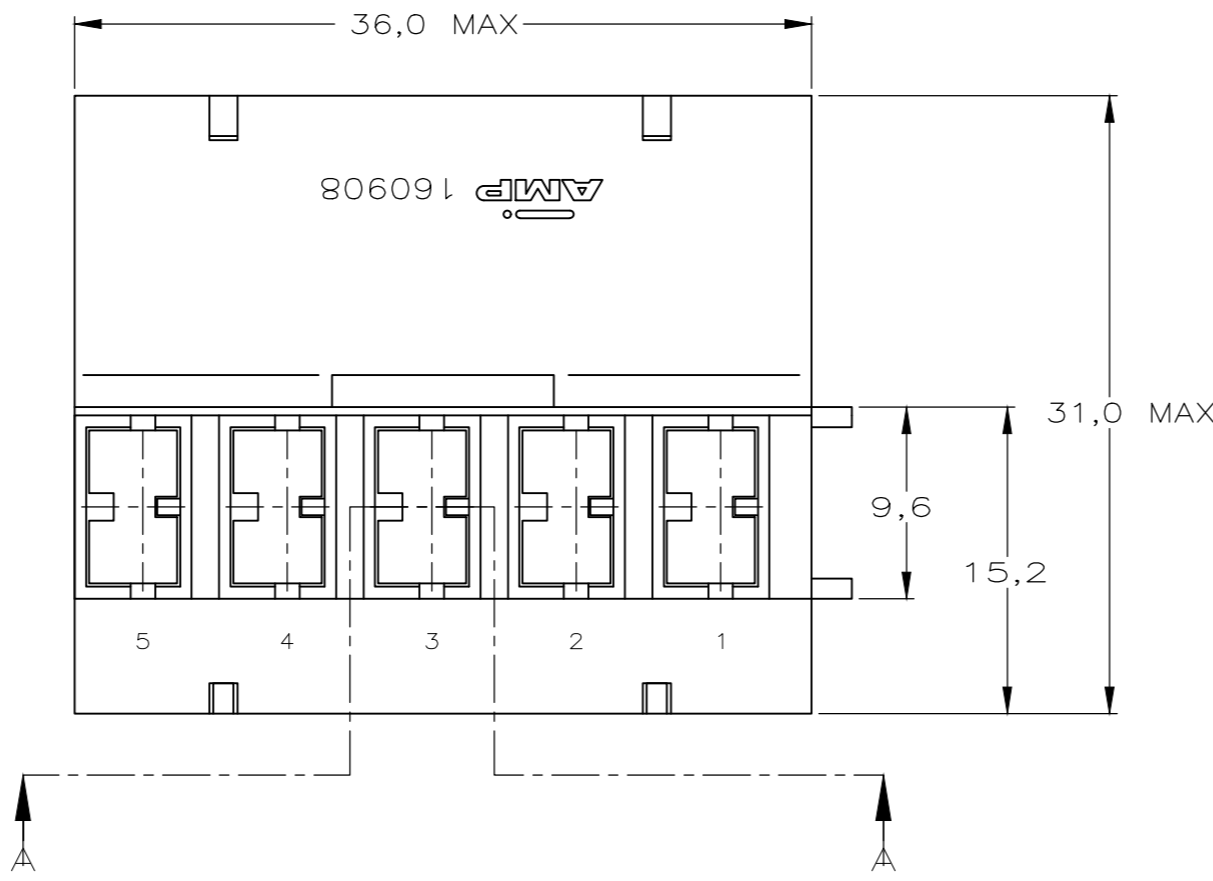
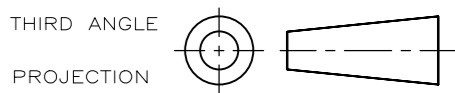
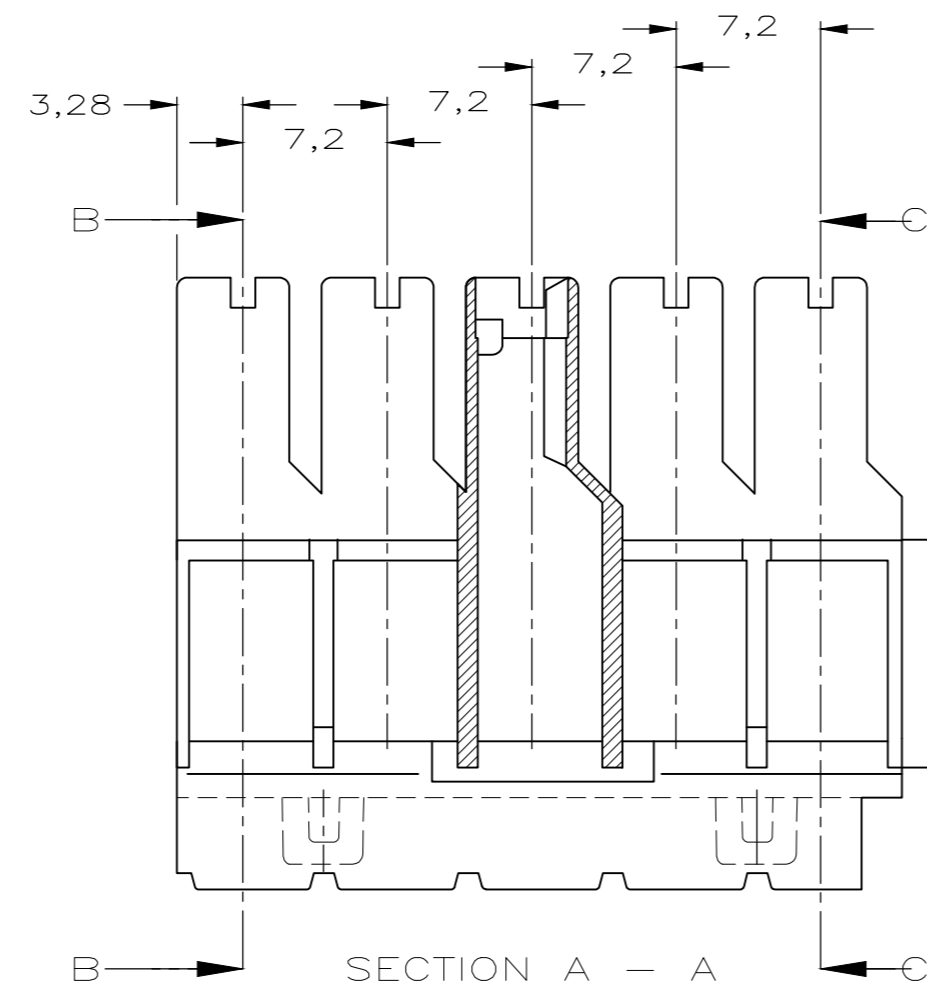


DO NOT SCALE
DIMENSIONS IN mm

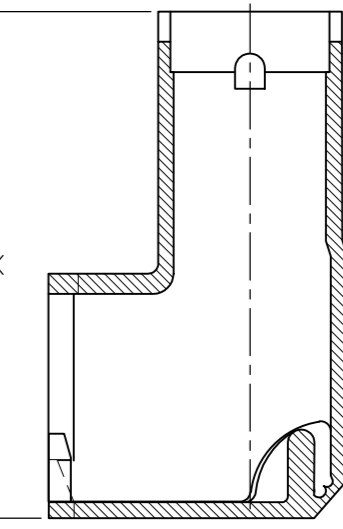
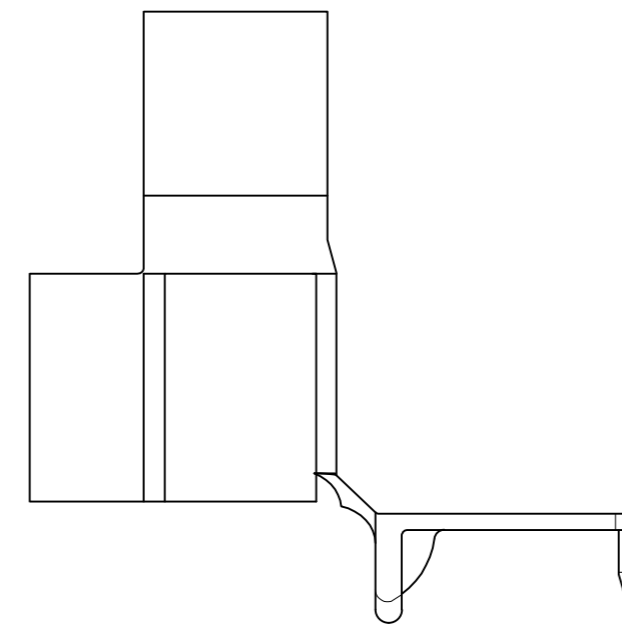
METRIC



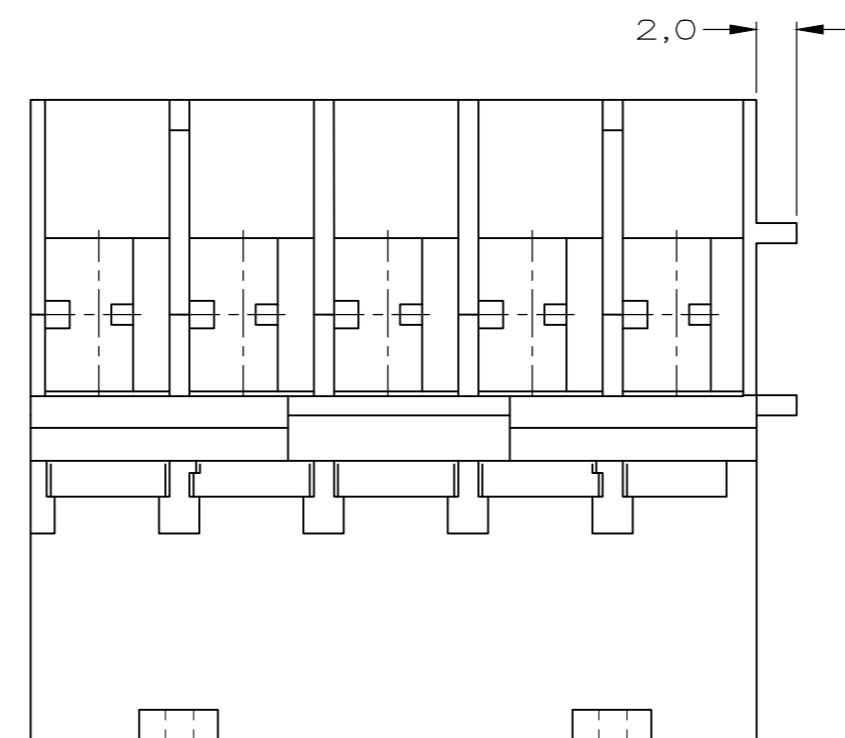
SECTION B - B



SECTION A - A



SECTION C - C
AS CLOSED



OBSOLETE	BLACK	POLYAMIDE	160908-5
	---		160908-4
	---		160908-3
	---		160908-2
OBSOLETE	NATUREL	94V2	160908-1
	COLOR	MATERIAL	PARTNUMBER

CUSTOMER DRAWING		STE TE Connectivity	
FOR REFERENCE ONLY WILL NOT BE UPDATED		THIS DRAWING IS UNPUBLISHED RELEASED FOR PUBLICATION sept, 1987	
© COPYRIGHT 1987 BY AMP-HOLLAND B.V. ALL INTERNATIONAL RIGHTS RESERVED. AMP PRODUCTS MAY BE COVERED BY U.S. AND FOREIGN PATENTS AND/OR PATENTS PENDING.			
DR. R.v.Lokven	DATE 15.07.87	WIRE RANGE -	NAME 5 POS POSITIVE LOCK FLAG HSG WITH SECONDARY LOCKING.
CHK. A.B.	DATE 07.09.87	INSUL.RANGE -	REV.DATE D M Y 07 04 88
APP. L.v.Soest	DATE 09.09.87	SIZE A2	SHEET 1 OF 1
		DWG. No. 160908	REV.LTR. A2