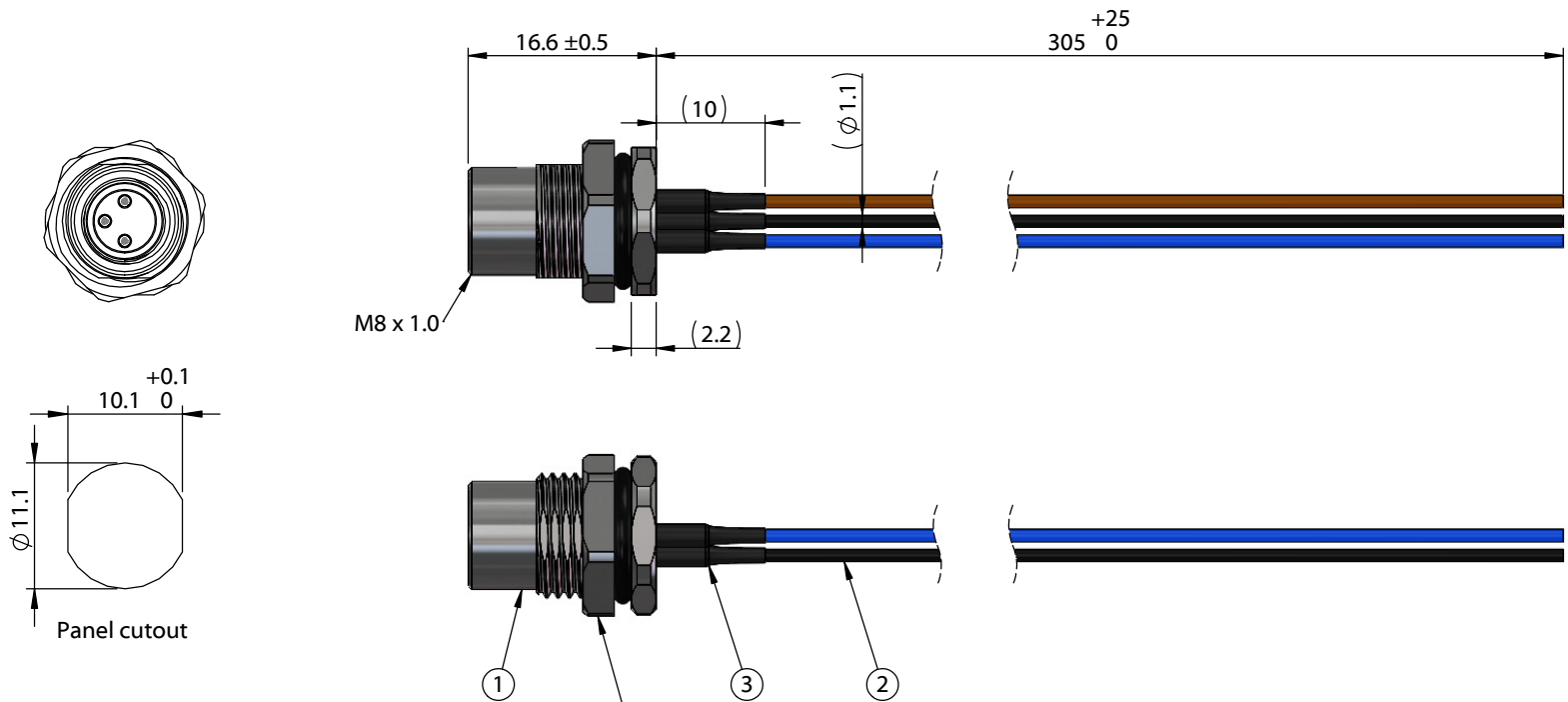


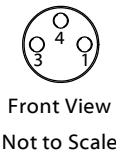
| ITEM NO. | PART NUMBER | DESCRIPTION | QTY. | COMPONENT NOTES |
|----------|-------------|--|------|---------------------------|
| 1 | 54-00292 | Connector, 3 pin M8 A-code socket, 8x18.7 mm, gold plated, panel mount, solder cup, IP67 | 1 | nut and o-ring included |
| 2 | Wire | Wire, hook-up, TS, 24 AWG, UL 11028, 600V, 105C, 1.1 mm, mPPE | 3 | color: brown, blue, black |
| 3 | Heat shrink | Heat shrink, UL, black | 3 | covers solder joints |



Notes:
 Cable rated for 60 V, 3 A
 Temperature: -40 ~ 105 °C

IP67 waterproof rating when mated with corresponding (IP67) connector and installed properly in panel
 Cables individually packaged in PE bag
 Functionally equivalent components may be substituted

Install from inside the panel, attach nut and tighten from the outside.



| Wiring Diagram | |
|----------------|------------------|
| 54-00292 | wire color (P/N) |
| 1 | brown (30-01771) |
| 3 | blue (30-01766) |
| 4 | black (30-01763) |

| | | | | | |
|-----------|-----------|-----------------|--|--|---|
| Revision: | Date: | Description: | Prepared: PB <small>Digitally signed by PB Date: 2022.11.10 09:24:46 -08'00'</small> | Notes: | <h1>TENSILITY</h1> <p>tel 1.541.323.3228 800 877.670.7118 fax 1.541.323.4202 web tensility.com</p> |
| A | 11/3/2022 | Initial release | Verified: MP <small>Digitally signed by MP Date: 2022.11.28 15:04:05 -08'00'</small> | RoHS compliant | |
| | | | Dimensions are in millimeters. Tolerances: X: ± 0.5 mm X.X: ± 0.3 mm X.XX: ± 0.05 mm | Function test: no open, no short circuit, no intermittent | |
| | | | | Description: Cable, 305 mm, M8 3C socket panel mount 54-00292 to blunt cut, 24 AWG, UL 11028 hook-up wire | |
| | | | | | Size: A |
| | | | | | Part number: 10-05255 |
| | | | | | Scale: 1.5:1 |
| | | | | | Sheet 1 of 1 |

To see a custom version of this cable assembly, call Tensility at 541-323-3228 or email engineering@tensility.com