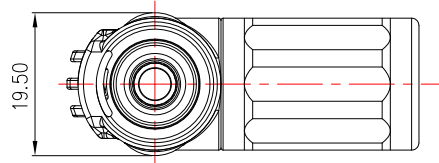
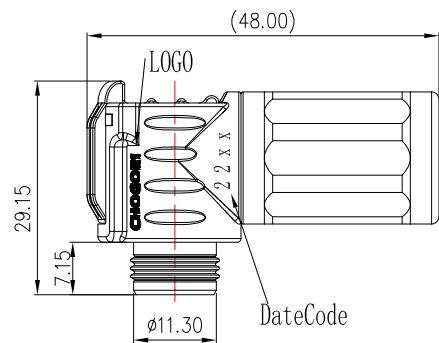


REV.	ECN NO.	DESCRIPTION	SIGN	DATE
C1		Initial Drawing	Robin	2022/05/30



Specification:

- 1.Operation Temperature: $-40^{\circ}\text{C}\sim 85^{\circ}\text{C}$.
- 2.Insulation Resistance: $100\text{M}\Omega$ at DC500V.
- 3.Contact Resistance: $<0.5\text{m}\Omega$.
- 4.Operating Current: 120A MAX
- 5.Operating Voltage: 1000V DC
- 6.Waterproof Rate: IP66 (Mated)
- 7.Plastic Body: Nylon
- 8.Female Pin: Copper Alloy, Ag Plated, Crimp Type
- 9.Seal Ring: Silicon
- 10.Wire Range: $25\text{mm}^2/3\text{AWG}$
- 11.P/N: 901-03087-00 Orange
P/N: 901-03088-00 Black
- 12.RoHS Compliant.

DateCode:

22 xx

Year: 22=2022
23=2023
...
Week: 01=Week First,
02=Week Two,
...

UNIT: mm		DESCRIPTION NS06 Plug	CHOGORI [®]	PART NO 901-0308X-00	DRAWN BY Robin	DATE 2022/05/30
TOLERANCE .X ±0.50 .XX ±0.20 .XXX ±0.10 ANGLES ±1°	SCALE: 1:1	SHEET 1 OF 1		DWG NO	CHECKED BY Ivan	DATE 2022/05/30
REV. C1	SIZE A4	* :Inspection Item		CUSTOMER	APPROVED BY Panson	DATE 2022/05/30

THIS INFORMATION IS CONFIDENTIAL AND IS DISCLOSED TO YOU ON CONDITION THAT NO FURTHER DISCLOSURE IS MADE BY YOU TO OTHER THAN CHOGORI PERSONNEL WITHOUT AUTHORIZATION FROM CHOGORI CORP.