



Door-coupling rotary operating mechanism IP64 Emergency switching-off, Size S00...S3 130 mm shaft

General technical data		
product brand name		SIRIUS
product designation		door-coupling rotary operating mechanism
size of the circuit-breaker		S00, S0, S2, S3
design of the product		EMERGENCY OFF door-coupling rotary operating mechanism
control version of the switch operating mechanism		short shaft
suitability for use		Circuit breaker S00, S0, S2, S3
ambient temperature		
• during storage	°C	-50 ... +80
• during operation	°C	-20 ... +70
operating frequency maximum	1/h	15
color of the actuating element		red / yellow

Installation/ mounting/ dimensions		
mounting position		any
fastening method		screw fixing
width	mm	66
height	mm	66
depth	mm	50
length	mm	130
diameter	mm	22.5
required spacing for grounded parts		
• forwards	mm	0
• backwards	mm	0
• upwards	mm	0
• at the side	mm	0
• downwards	mm	0

Certificates/ approvals		
certificate of suitability		CE / UL / CSA
General Product Approval	Declaration of Conformity	Test Certificates



[Miscellaneous](#)

[Type Test Certificates/Test Report](#)

Shipping

other



[Confirmation](#)



Further information

Information- and Downloadcenter (Catalogs, Brochures,...)

<https://www.siemens.com/ic10>

Industry Mall (Online ordering system)

<https://mall.industry.siemens.com/mall/en/en/Catalog/product?mfb=3RV2926-0C>

Cax online generator

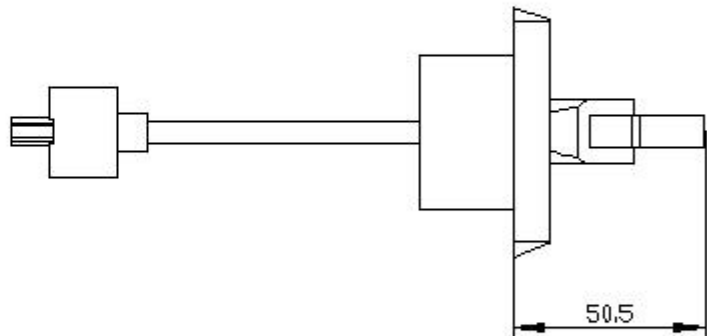
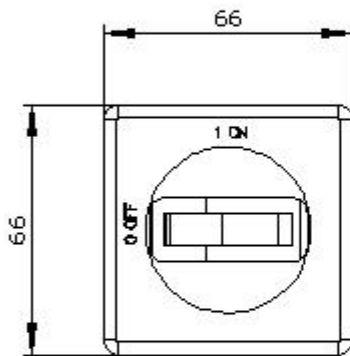
<http://support.automation.siemens.com/WW/CAXorder/default.aspx?lang=en&mfb=3RV2926-0C>

Service&Support (Manuals, Certificates, Characteristics, FAQs,...)

<https://support.industry.siemens.com/cs/ww/en/ps/3RV2926-0C>

Image database (product images, 2D dimension drawings, 3D models, device circuit diagrams, EPLAN macros, ...)

http://www.automation.siemens.com/bilddb/cax_de.aspx?mfb=3RV2926-0C&lang=en



last modified:

7/13/2020