

# CGA5L1X8R1E475K160AC

TDK Item Description : CGA5L1X8R1E475KT\*\*\*\*



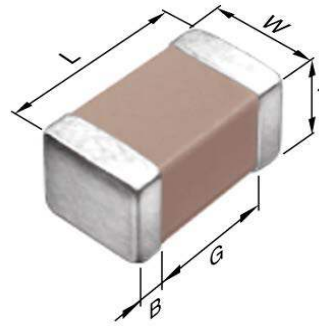
Equivalent C3216X8R1E475K for Automotive

## Application & Main Feature

Automotive Grade ( High Temperature Application )

## Series

CGA5(3216) [EIA 1206]



## Dimensions

L	3.20mm +/-0.2mm
W	1.60mm +/-0.2mm
T	1.60mm +/-0.2mm
B	0.20mm Min.
G	1.00mm Min.

## Temperature Characteristic

X8R (-55 to 150 deg +/-15%)

## Rated Voltage

1E (25Vdc)

## Capacitance

4.7uF

## Capacitance Tolerance

K (+/-10%)

## Dissipation Factor

5% Max.

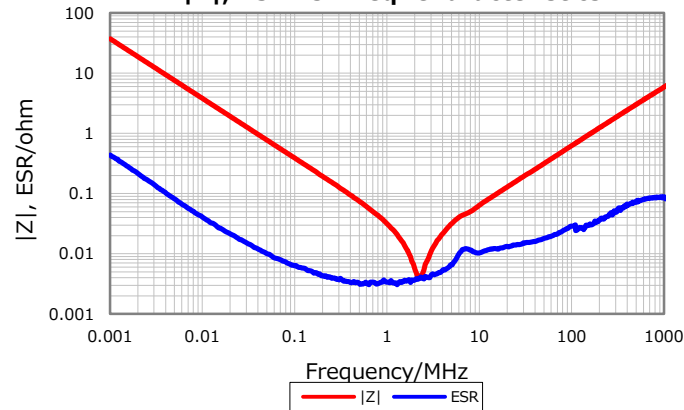
## Insulation Resistance

106Mohm Min.

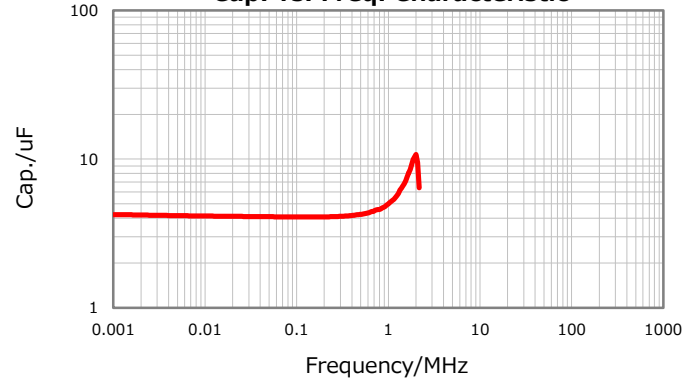
## AEC-Q200

Yes

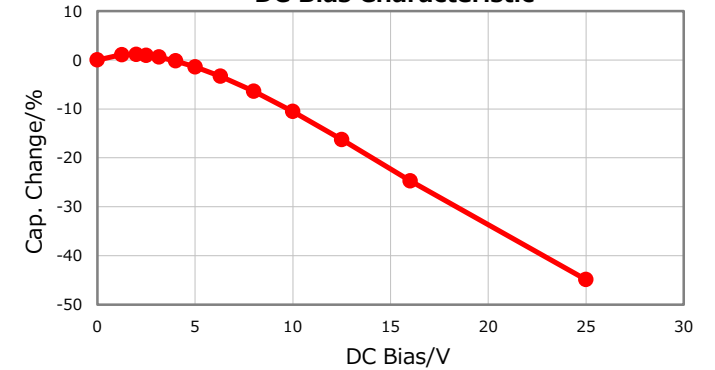
## |Z|, ESR vs. Freq. Characteristics



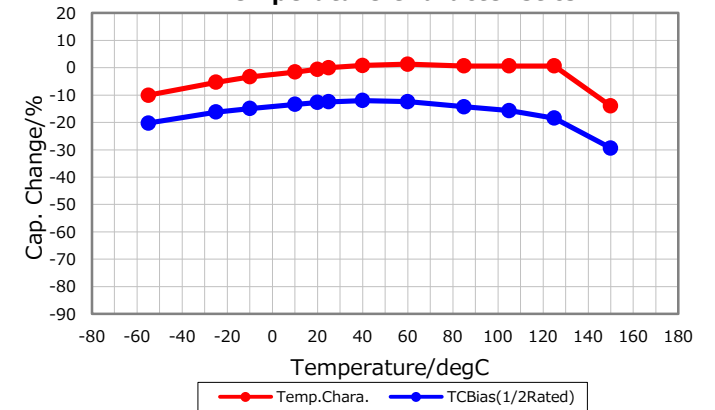
## Cap. vs. Freq. Characteristic



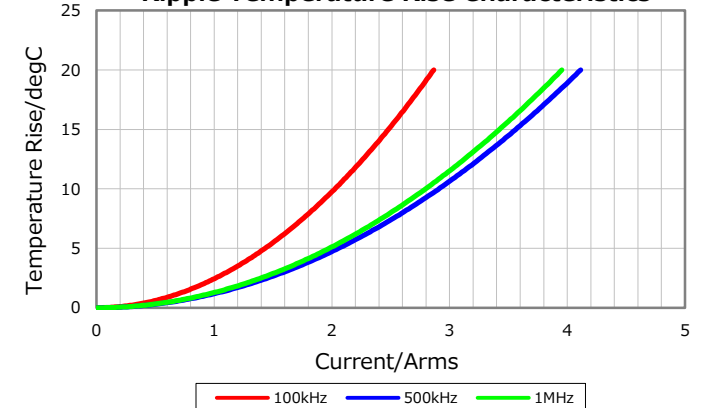
## DC Bias Characteristic



## Temperature Characteristics



## Ripple Temperature Rise Characteristics



Characterization Sheet ( Multilayer Ceramic Chip Capacitors )



All specifications are subject to change without notice.

June 5, 2018