

# SMT Power Inductors

Planar - PA1X9XNL Series



- ⌚ **Height:** 7.4mm
- ⌚ **Footprint:** 19.8mm x 19.6mm Max
- ⌚ **Current Rating:** up to 73A
- ⌚ **Inductance Range:** .405μH to 6.2μH

**Electrical Specifications @ 25°C - Operating Temperature -40°C to +130°C<sup>8</sup>**

Part <sup>5,7</sup> Number	Inductance @ Irated (μH ± 15%)	Irated <sup>1</sup> (A <sub>DC</sub> )	DCR (mΩ)		Inductance @ 0 A <sub>DC</sub> (μH ± 15%)	Saturation Current <sup>2</sup>		Heating Current <sup>3</sup> (A)
			TYP	MAX		25°C	100°C	
<b>2-Turn (Low-Loss) Series</b>								
PA1294.450NL	0.45	73	.38	.48	0.45	95	80	73
PA1294.650NL	0.63	54	.38	.48	0.65	63	53	73
PA1294.910NL	0.85	39	.38	.48	0.91	46	37	73
PA1294.112NL	1.05	30	.38	.48	1.10	35	30	73
PA1294.132NL	1.25	25	.38	.48	1.30	29	26	73
PA1294.152NL	1.45	21	.38	.48	1.50	24	22	73
<b>2-Turn Series</b>								
PA1292.450NL *	0.45	52	.78	.98	0.45	95	80	52
PA1292.650NL	0.63	52	.78	.98	0.65	63	53	52
PA1292.910NL *	0.85	39	.78	.98	0.91	46	37	52
PA1292.112NL	1.05	30	.78	.98	1.10	35	30	52
PA1292.132NL	1.25	25	.78	.98	1.30	29	26	52
PA1292.152NL *	1.45	21	.78	.98	1.50	24	22	52
<b>3-Turn Series</b>								
PA1393.102NL	0.95	42	1.15	1.43	1.0	68	54	42
PA1393.152NL	1.40	36	1.15	1.43	1.5	43	35	42
PA1393.202NL	1.90	25	1.15	1.43	2.0	29	25	42
PA1393.252NL	2.40	20	1.15	1.43	2.5	23	21	42
PA1393.302NL	2.80	15	1.15	1.43	3.0	18	16	42
PA1393.352NL	3.40	12	1.15	1.43	3.5	15	13	42
<b>4-Turn Series</b>								
PA1494.162NL	1.60	37	1.44	1.80	1.60	55	43	37
PA1494.242NL	2.40	30	1.44	1.80	2.42	35	27	37
PA1494.362NL	3.30	17	1.44	1.80	3.60	20	18	37
PA1494.442NL	4.00	14	1.44	1.80	4.40	16	15	37
PA1494.532NL	4.90	11	1.44	1.80	5.34	13	12	37
PA1494.622NL	5.80	9	1.44	1.80	6.20	11	10	37

# SMT Power Inductors

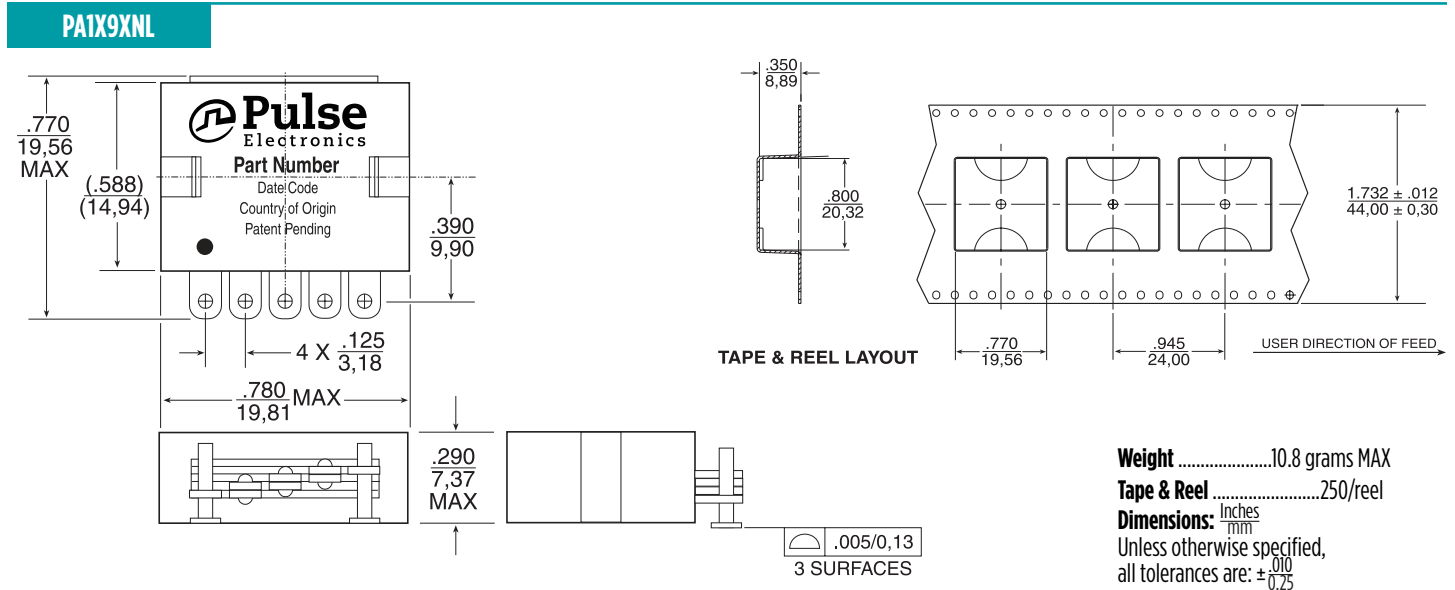
Planar - PA1X9XNL Series

### Notes:

- The rated current as listed is either 85% of the saturation current or the heating current, depending on which value is lower.
- The saturation current is the current which causes the inductance to drop by 15% at the stated ambient temperatures (25°C and 100°C). This current is determined by placing the component in the specified ambient environment and applying a short duration pulse current (to eliminate self-heating effects) to the component.
- The heating current is the DC current which causes the temperature of the part to increase by approximately 45°C. This current is determined by mounting the component on a PCB with .25" wide, 2 oz. equivalent copper traces, and applying the current to the device for 30 minutes with no forced air cooling.
- In high volt\*time applications, additional heating in the component can occur due to core losses in the inductor which may necessitate derating the current in order to limit the temperature rise of the component. In order to determine the approximate total losses (or temperature rise) for a given application, the total copper and core losses should be taken into account. For approximate value of core losses, in a given application, use the core loss graph on page 24.
- Optional Tape & Reel packaging can be ordered by adding a "T" suffix to the part number (i.e. PA1294.450NL becomes PA1294.450NLT). Pulse complies to industry standard tape and reel specification EIA481.
- Meets solderability test per IPC/EIA J-STD-002B using flux type ORLO.
- The "NL" suffix indicates an RoHS-compliant, but are electrically and mechanically equivalent to NL versions. If a part number does not have the "NL" suffix, but an RoHS compliant version is required, please contact Pulse for availability.
- The temperature of the component (ambient plus temperature rise) must be within the stated operating temperature range.

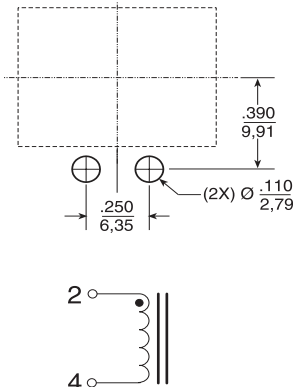
\* Contact Pulse for availability

## Mechanical

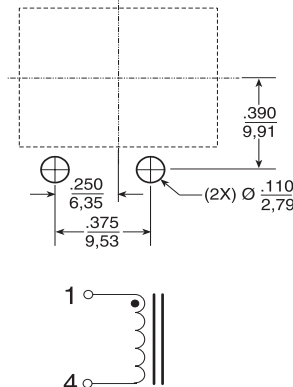


## Suggested Pad Layouts and Schematics

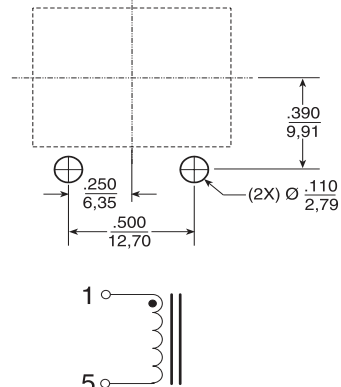
**PA1292 & PA1294**  
 .405 to 1.50  $\mu$ H  
 21 to 73 Adc



**PA1393**  
 1.00 to 3.40  $\mu$ H  
 12 to 42 Adc

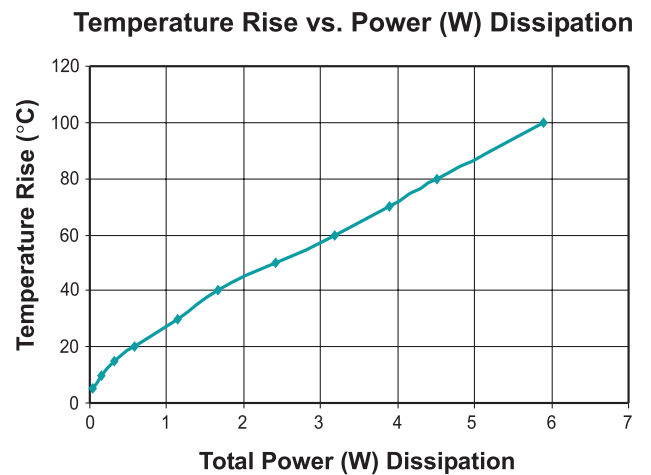
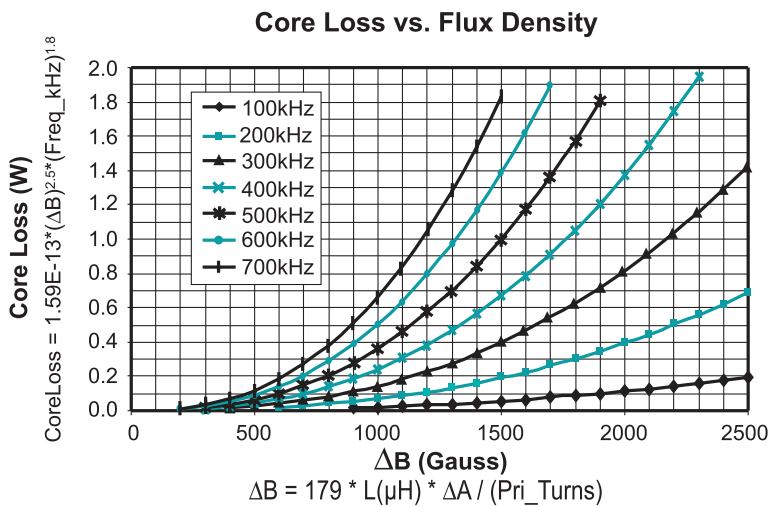
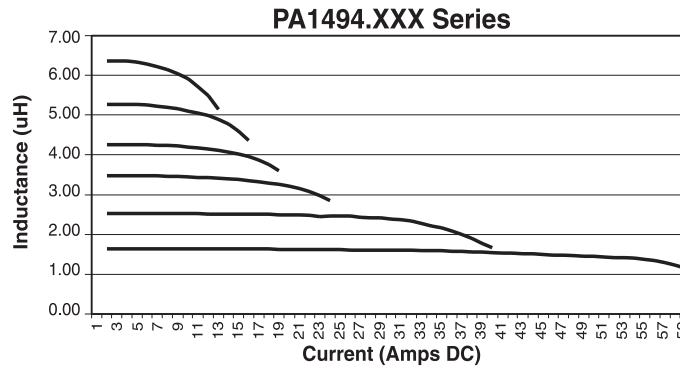
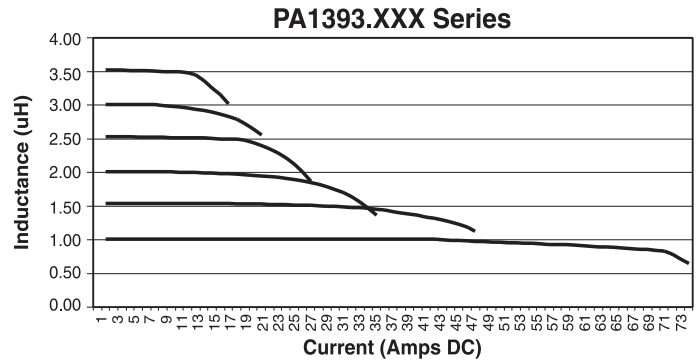
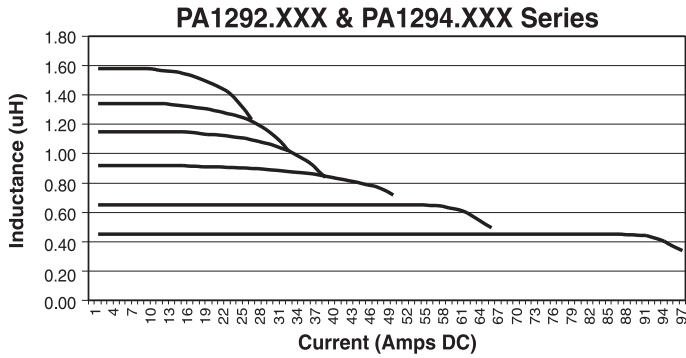


**PA1494**  
 1.60 to 6.20  $\mu$ H  
 9 to 37 Adc



## Inductance vs. Current Characteristics (25°C)

### PA1X9XNL



Total Power Dissipation = Copper Loss (W) + Core Loss (W)

Copper Loss (W) =  $\text{Current (rms)}^2 * \text{DCR (m}\Omega) / 1000$   
 Core Loss (W) = per table

# SMT Power Inductors

Planar - PA1X9XNL Series



---

## For More Information

### Pulse Worldwide Headquarters

15255 Innovation Drive Ste 100  
San Diego, CA 92128  
U.S.A.

Tel: 858 674 8100  
Fax: 858 674 8262

### Pulse Europe

Pulse Electronics GmbH  
Am Rottland 12  
58540 Meinerzhagen  
Germany

Tel: 49 2354 777 100  
Fax: 49 2354 777 168

### Pulse China Headquarters

Pulse Electronics (ShenZhen) CO., LTD  
D708, Shenzhen Academy of  
Aerospace Technology,  
The 10th Keji South Road,  
Nanshan District, Shenzhen,  
P.R. China 518057

Tel: 86 755 33966678  
Fax: 86 755 33966700

### Pulse North China

Room 2704/2705  
Super Ocean Finance Ctr.  
2067 Yan An Road West  
Shanghai 200336  
China

Tel: 86 21 62787060  
Fax: 86 2162786973

### Pulse South Asia

3 Fraser Street 0428  
DUO Tower  
Singapore 189352

Tel: 65 6287 8998  
Fax: 65 6280 0080

### Pulse North Asia

1F., No.111 Xiyuan Road  
Zhongli District  
Taoyuan City 32057  
Taiwan (R.O.C)

Tel: 886 3 4356768  
Fax: 886 3 4356820

Performance warranty of products offered on this data sheet is limited to the parameters specified. Data is subject to change without notice. Other brand and product names mentioned herein may be trademarks or registered trademarks of their respective owners. © Copyright, 2019. Pulse Electronics, Inc. All rights reserved.