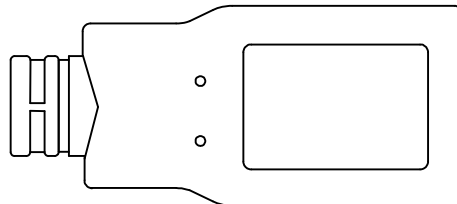
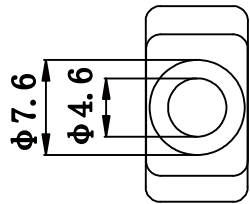
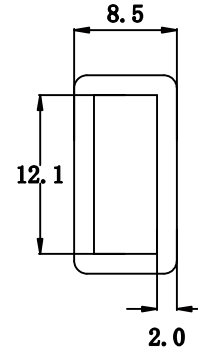
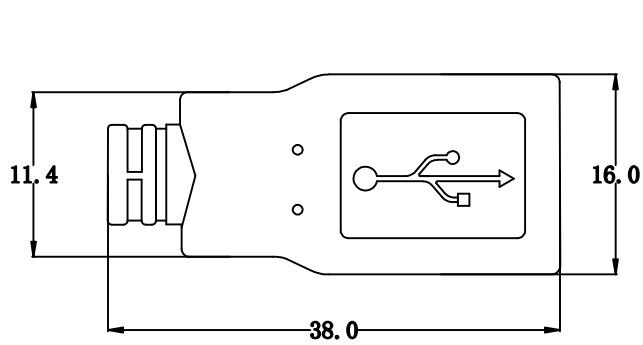


UNIT:MM

REVISION INFORMATION

Rev.	Rev. Date	Modified By	Brief Description
A/0	20-04-14	T0414C01	NEW DRAWING

DIMENSIONAL TOLERANCE:
X.X ±0.3



PART NO	DESCRIPTION
1001-026-BE-01000	HOOD, BEIGE, USB A/MALE, ASSEMBLY TYPE
1001-027-BL-01000	HOOD, BLACK, USB A/MALE, ASSEMBLY TYPE

NO.	NAME	Q'TY	SPECIFICATION
③	PE BAG	1/1000	CLEAR SIZE:560X420X0.05mm PRINT BLACK"MADE IN CHINA"+~1000PC"
②	OUT JACKET	1	Mould: AMBT-1-2-1 (PVC 55P IV-29 / BLACK) WEIGHT: 4g
①	CONN	1	HOOD, BEIGE / BLACK, USB A/MALE, ASSEMBLY TYPE

CnC Tech, LLC
Industrial Cable and Connector Technology

DRAWN BY:	DATE: 2020/04/14	DESCRIPTION: HOOD, USB A/MALE, ASSEMBLY TYPE
CHECKED BY:	SHEET 1 of 1	ITEM NO. As above
APPROVED BY:	SCALE 1:1	REV. A/0 UNIT: mm

