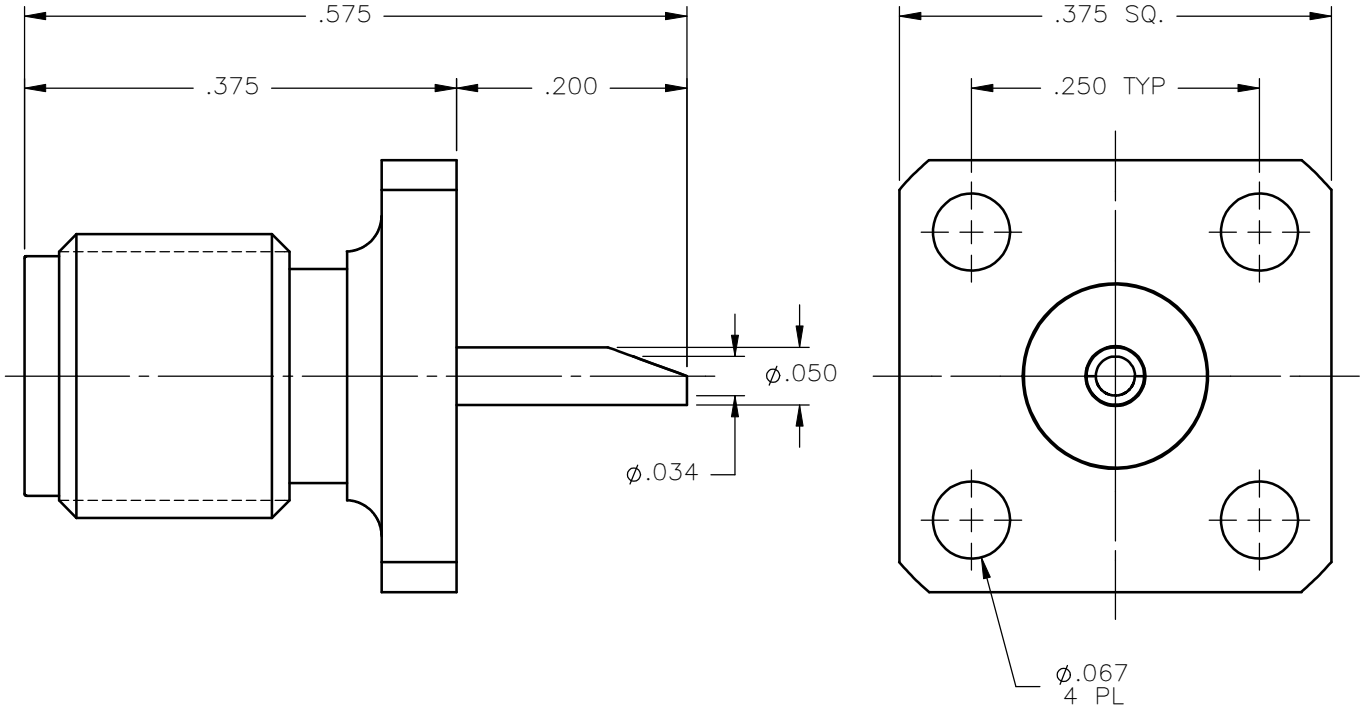


REVISIONS			
REV.	DESCRIPTION	DATE	APPROVED
A	INITIAL RELEASE	02/28/11	A.D.M.




NOTES:

MATERIALS:

1. BODY = STAINLESS STEEL PER ASTM A582, ALLOY 303, CONDITION "A".
2. INSULATOR = VIRGIN WHITE TEFLON PER ASTM D1710, GRADE 1, TYPE I, CLASS "B".
3. CONTACT = BERYLLIUM COPPER PER ASTM B196, ALLOY C17300, TEMPER TD04.

FINIISHES:

1. BODY = PASSIVATE PER QQ-P-35, TYPE VI.
2. CONTACT = GOLD PLATE PER MIL-G-45204, TYPE II, CLASS 1, GRADE C, OVER .00010 TO .00020 STRESS FREE SULFAMATE NICKEL PER QQ-N-290.

UNLESS OTHERWISE SPECIFIED DIMENSIONS ARE IN INCHES TOLERANCES ON	DWN: A.D.M.	DATE 02/28/11	 Property of Radiall This document cannot be reproduced or communicated to a third party without prior written permission of RADIALL.
	DECIMAL	ANGLE	
REFERENCE:	MATERIALS & FINISHES: SEE NOTES		SMA STRAIGHT JACK 4 HOLE FLANGE MOUNT SOLDER POT CONTACT
ORIGINATED: A.D.M. DATE: 02/28/11	APVD: J.M.	DATE 02/28/11	SIZE: A FSCM NO.: 19505 DWG NO.: 9476-9113-000 SCALE: 6:1 THIRD ANGLE PROJECTION
			REV: A SHEET 1 OF 1

9476-9113-000