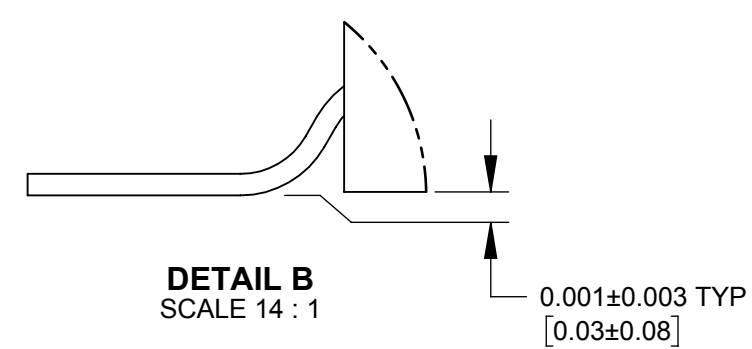
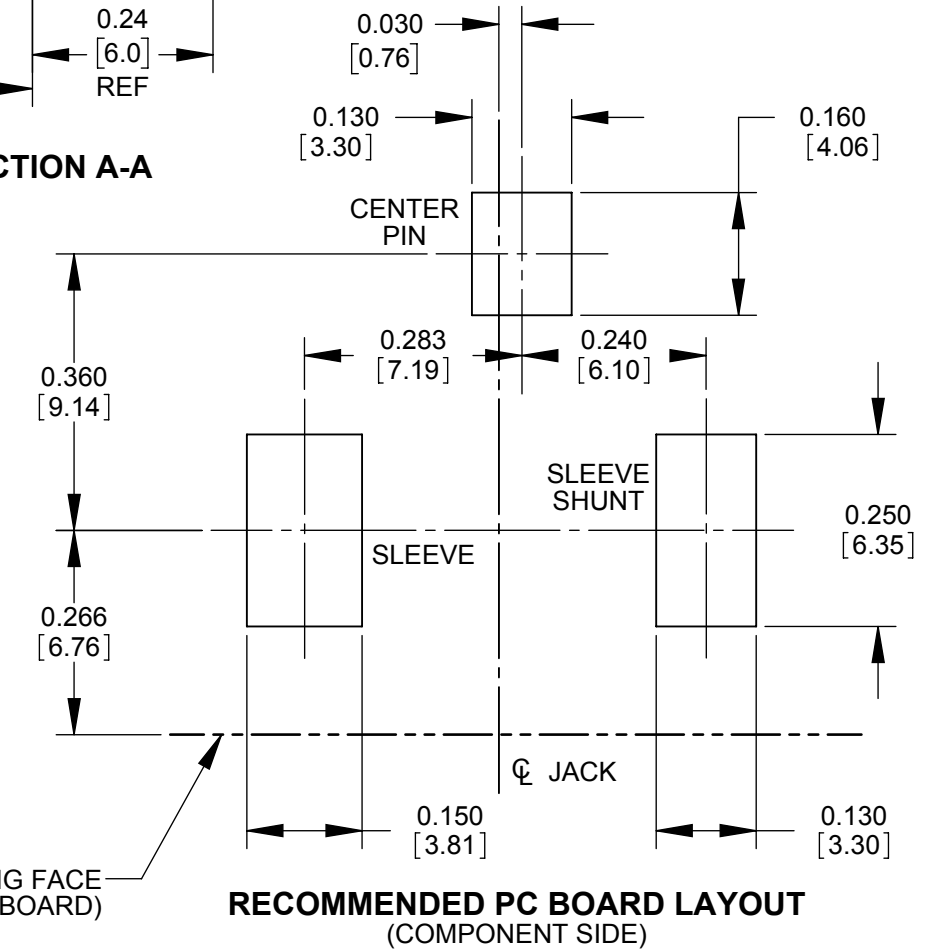


SCHEMATIC



DETAIL B  
SCALE 14 : 1



RECOMMENDED PC BOARD LAYOUT  
(COMPONENT SIDE)

NOTES:

1. THIS PRODUCT IS RoHS COMPLIANT.
2. MATERIALS:  
 CENTER PIN: COPPER ALLOY, NICKEL PLATED  
 SLEEVE CONTACT: SPRING COPPER ALLOY, SILVER PLATED  
 PIN TERMINAL AND SHUNT: COPPER ALLOY, SILVER PLATED  
 HOUSING AND COVER: HIGH TEMPERATURE THERMOPLASTIC, BLACK
3. SPECIFICATIONS:  
 LIFE: 5000 CYCLES;  
 INSERTION FORCE: 5LB [2.3 KG] MAX;  
 WITHDRAWL FORCE: 0.5 LB [0.2 KG] MIN;  
 CONTACT RESISTANCE: 30 MILLIOHM MAX, 60 MILLIOHM MAX. AFTER TEST;  
 INSULATION RESISTANCE: 30 MEGAOHM MIN. @ 100VDC;  
 DIELECTRIC WITHSTANDING VOLTAGE: 250VAC FOR 1 MINUTE;  
 CURRENT (CARRYING): 5A  
 OPERATING TEMPERATURE: -30°C TO +65°C

**CUSTOMER DRAWING**

REV	ECO NUMBER	DATE	BY	APVD
A	28064	08-30-18	PC	TJK
REVISIONS				

STAR SYMBOL DENOTES CRITICAL DIMENSION

UNLESS OTHERWISE SPECIFIED

1. ALL DIMENSIONS IN INCHES [mm]  
 - TWO PLACE DECIMALS ±0.02 [0.5]  
 - THREE PLACE DECIMALS ±0.005 [0.13]

DO NOT SCALE DRAWING

THIS DRAWING DESCRIBES A DESIGN CONSIDERED PROPRIETARY IN NATURE, DEVELOPED AND MANUFACTURED BY SWITCHCRAFT INC. AND IS RELEASED ON A CONFIDENTIAL BASIS FOR IDENTIFICATION PURPOSES ONLY.									
SIZE	WIDTH	MULT	LBS/M	TEMPER					
FINISH					MATERIAL				
SPEC No.					SPEC No.				
FIRST USED ON					SCALE				
					4:1				
DATE DRAWN	BY	CHKD	APVD						
10-12-17	SRC	TJK	TJK						
			8/27/18	8/27/18					
NAME					PART No.				
LOCKING POWER JACK, Ø0.10 [2.5mm]					RASM712BKZ				
SURFACE MOUNT, RoHS					REV				
					A				