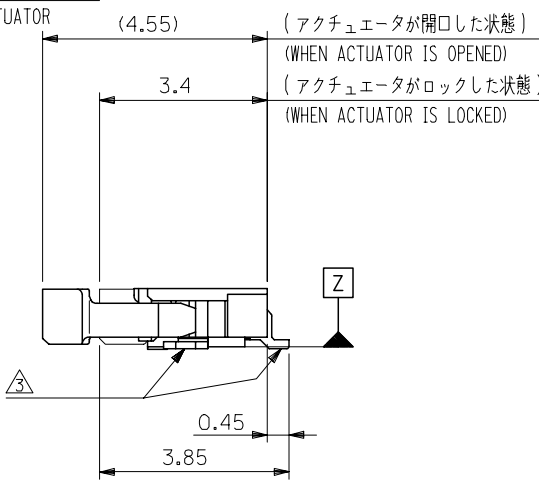
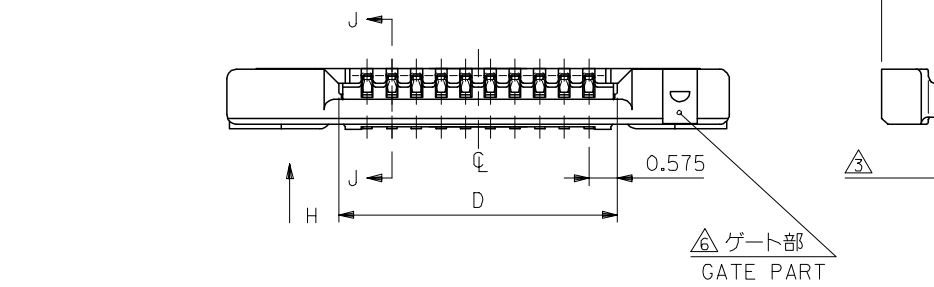
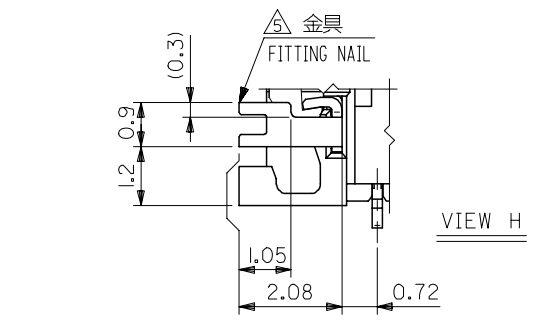


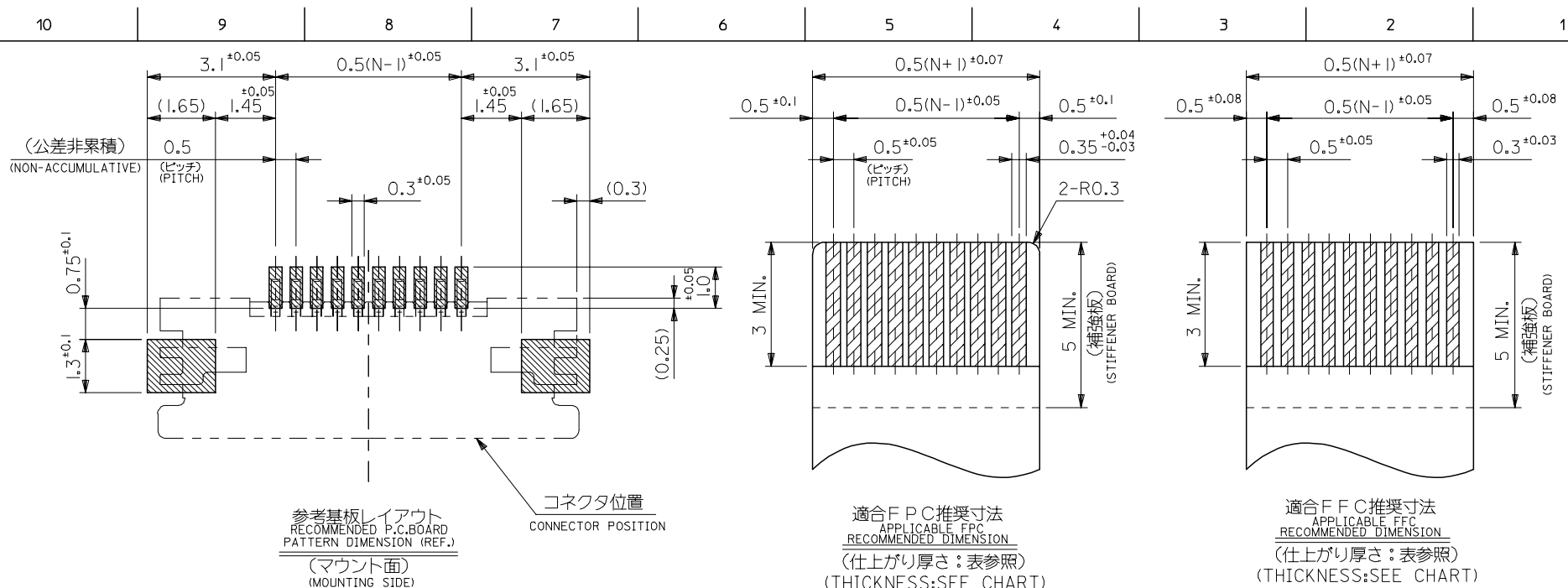
SECT. J-J  
SCALE 20:1



0.28 <sup>+0.03</sup>	13.65	17	12.5	18.2	54550-2617	26	
	12.65	16	11.5	17.2	54550-2417	24	
	11.65	15	10.5	16.2	54550-2217	22	
	11.15	14.5	10	15.7	54550-2117	21	
	10.65	14	9.5	15.2	54550-2017	20	
	10.15	13.5	9	14.7	54550-1917	19	
	9.65	13	8.5	14.2	54550-1817	18	
	9.15	12.5	8	13.7	54550-1717	17	
	8.65	12	7.5	13.2	54550-1617	16	
	8.15	11.5	7	12.7	54550-1517	15	
	7.65	11	6.5	12.2	54550-1417	14	
0.3 <sup>+0.03</sup>	7.15	10.5	6	11.7	54550-1317	13	
	6.65	10	5.5	11.2	54550-1217	12	
	6.15	9.5	5	10.7	54550-1117	11	
	5.65	9	4.5	10.2	54550-1017	10	
	5.15	8.5	4	9.7	54550-0917	9	
	4.65	8	3.5	9.2	54550-0817	8	
	4.15	7.5	3	8.7	54550-0717	7	
	3.65	7	2.5	8.2	54550-0617	6	
	3.15	6.5	2	7.7	54550-0517	5	
	THICKNESS OF FPC	D	C	B	A	製品番号 MATERIAL No.	極数 CK+
						54550-**17	MODEL No.



REVISED EC NO: J2007-4760 DRWN: AYOYAGI 2007/02/14 CHKDK: TOYODA 2007/06/01 APPR: NUKITA 2007/06/06 M REV	GENERAL TOLERANCES (UNLESS SPECIFIED) 10 UNDER ±0.2 10 OVER 30 UNDER ±0.25 30 OVER ±0.3 ANGULAR ±3 ° DRAFT WHERE APPLICABLE MUST REMAIN WITHIN DIMENSIONS		DIMENSION STYLE MM ONLY DRAWN BY DATE M. FUJIKURA 1999/03/24 CHECKED BY DATE S. KUNISHI 1999/03/24 APPROVED BY DATE M. FUKUSHIMA 1999/03/24 MATERIAL NO. SEE CHART		SCALE 10:1	DESIGN UNITS METRIC	THIRD ANGLE PROJECTION
	TITLE 0.5 FPC CONN. ZIF HOUSING ASSY -LEAD FREE-						
	MOLEX MOLEX INCORPORATED						
	DOCUMENT NO. SD-54550-005					SHEET NO. 1 OF 2	
	THIS DRAWING CONTAINS INFORMATION THAT IS PROPRIETARY TO MOLEX INCORPORATED AND SHOULD NOT BE USED WITHOUT WRITTEN PERMISSION						



**注記 NOTES**

**1. 使用材料 MATERIAL**

ハウジング : LCP, UL94V-0  
HOUSING

アクチュエータ : PPS, UL94V-0  
ACTUATOR

ターミナル : リン青銅、錫メッキ (t=0.2)  
TERMINAL PHOS-BRO.TIN-PLATED

金具 : リン青銅、錫メッキ (t=0.2)  
FITTING NAIL PHOS-BRO.TIN-PLATED

2. エンボステープ梱包時は、アクチュエータがロックした状態とする。  
IN THE PACKAGE, ACTUATOR OF PART NO.54550-\*\*17 SHOULD BE LOCKED.

△ソルダータール半田付け面のスレ量、及び金具半田付け面のスレ量は、基準面 Z に対し上方向 OMAX、下方向 0.15MAX、とし相互のバラツキ量は 0.1MAX とする。  
MISALIGNMENT OF SOLDER TAILS AND FITTING NAILS FROM Z UPPER DIRECTION: 0 MAX., LOWER DIRECTION: 0.15 MAX. OFFSET BETWEEN UPPER AND LOWER 0.1 MAX.

△偶数極に適用。  
APPLY FOR EVEN CIRCUIT.

△パターンはくり止め用金具  
FITTING NAIL FOR PREVENTION OF PEELING OF P.C.B. PATTERN.

△ゲート部は、左右どちらか一方にあるものとする。  
A GATE PART -- RIGHT AND LEFT -- IT SHALL BE IN EITHER.

7. N: 極数 N: CIRCUIT.

**FPC/FFC について:**

打ち抜き方向は導体側から補強板側を推奨します。  
導体部については軟銅箔35μmまたは50μmを推奨します。

**ABOUT FPC/FFC**

RECOMMENDED PUNCHER DIRECTION : FROM CONDUCTOR SIDE TO STIFFENER FILM SIDE.  
RECOMMENDED CONDUCTOR SPEC :  
THICKNESS OF SOFT COPPER FOIL : 35 MICROMETER OR 50 MICROMETER.

**FPC について:**

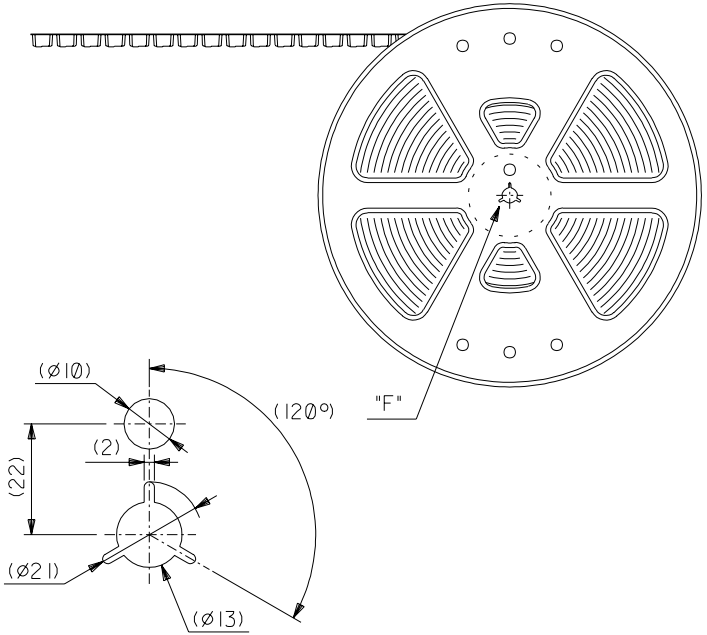
補強フィルム材質はポリイミドを推奨します。ベースフィルムは25μmを推奨します。  
接着剤は熱硬化接着剤を推奨します。  
尚、接着剤の接点部への付着は導通不良の原因になりますので、染み出しが無い様、お願い致します。

**ABOUT FPC**

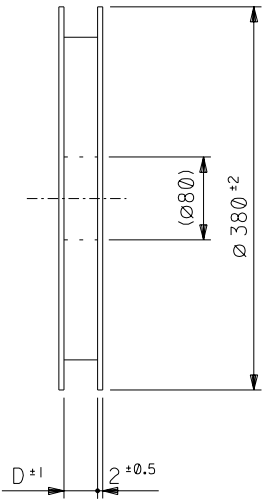
RECOMMENDED MATERIAL/THICKNESS.  
STIFFENER FILM : POLYIMIDE  
BASE FILM THICKNESS : 25μm  
BONDING AGENT : THERMOSETTING BONDING AGENT  
PLEASE PUT APPROPRIATE AMOUNT OF ADHESIVE ON THE CONTACT AREA BECAUSE THE EXTRA ADHESIVE MAY CAUSE THE DEFECT IN ELECTRICAL CONTINUITY.

REVISED		EC NO: J2007-4760		2007/02/14		2007/06/01		2007/06/06		54550-**17		MODEL No.	
DRWN: A0YAGI		CHKD: TOYODA		APPR: NUKITA		GENERAL TOLERANCES (UNLESS SPECIFIED)		DIMENSION STYLE		SCALE		DESIGN UNIT'S	
10 UNDER		±0.2		MM ONLY		DRAWN BY DATE		M. FUJIKURA 1999/03/24		TITLE		THIRD ANGLE PROJECTION	
10 OVER 30 UNDER		±0.25		CHECKED BY DATE		S. KUNISHI 1999/03/24		0.5 FPC CONN. ZIF HOUSING ASSY -LEAD FREE-		MOLEX		MOLEX INCORPORATED	
30 OVER		±0.3		APPROVED BY DATE		M. FUKUSHIMA 1999/03/24		SEE SHEET 1		SD-54550-005		SHEET NO. 2 OF 2	
ANGULAR		±3 °		DRAFT WHERE APPLICABLE MUST REMAIN WITHIN DIMENSIONS		MATERIAL NO.		DOCUMENT NO.		SD-54550-005		SHEET NO. 2 OF 2	
SIZE		A3		THIS DRAWING CONTAINS INFORMATION THAT IS PROPRIETARY TO MOLEX INCORPORATED AND SHOULD NOT BE USED WITHOUT WRITTEN PERMISSION									

引き出し方向  
PULL OUT

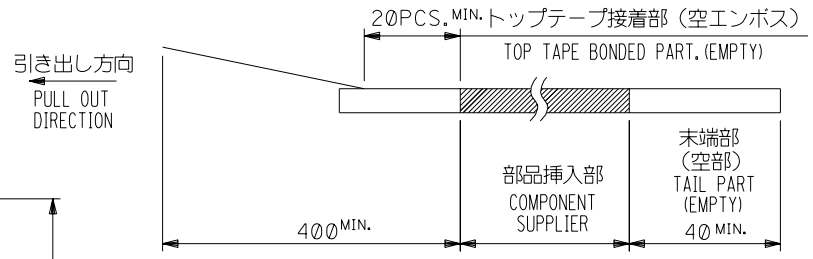


DETAIL "F"

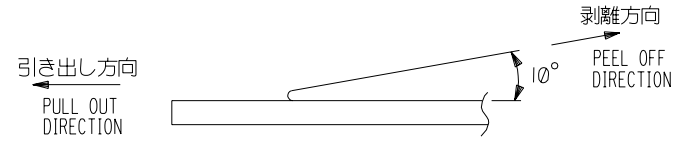


NOTES

- 製品詳細寸法については図面 54550-\*\*17 を参照下さい。  
RE DETAILED DIMENSION, SEE 54550-\*\*17
- 梱包数量：3000個/リール  
NUMBER OF CONNECTORS : 3000PCS/REEL
- リードテープ長さ LEAD TAPE LENGTH



- トップテープの剥離強度：0.1N ~ 0.7N(10.2gf ~ 71.4gf)  
(剥離方向は下図参照)  
尚、本規格値は出荷時に適用。(但し、輸送時に剥離が発生しないこと。)  
PEELING OFF FORCE OF TOP TAPE : 0.1N ~ 0.7N(10.2gf ~ 71.4gf)  
(PEELING DIRECTION AS SHOWN IN FOLLOWING FIG.)  
THIS REQUIREMENT SHOULD BE APPLIED AT SHIPMENT.  
PEEL OFF SHOULD NOT BE ALLOWED , DURING TRANSPORTATION.

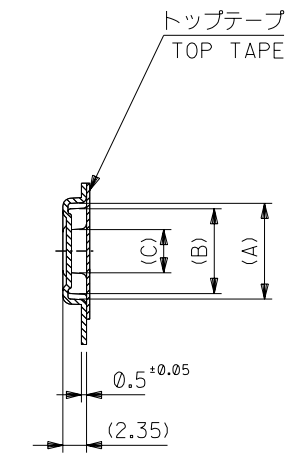


- 材料(MATERIAL)  
キャリアテープ(CARRIER TAPE)：ポリプロピレン(POLYPROPYLENE)  
トップテープ(TOP TAPE)：PET , PE , PEF  
リール(REEL)：ポリスチレン (PS) <リサイクル材を含む>  
POLYSTYREN(PS) <RECYCLE MATERIAL CONTAINED>

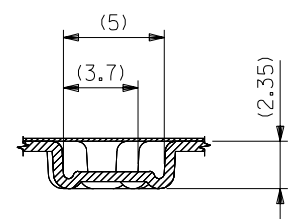
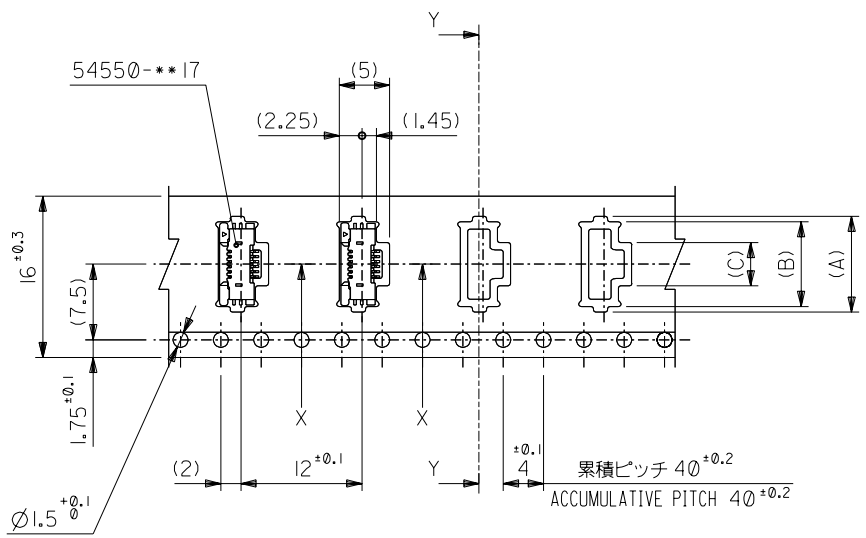
EC NO. DRWN: CH'K: APPR:		REVISED EC NO. J2004-0609 DRWN: R.SUMIYA 03/09/17 CH'K: T.ITO 03/09/17 APPR: I.YAMAGUCHI 03/09/17		REVISED EC NO. J2003-2548 DRWN: M.FUJIKURA 03/04/03 CH'K: K.KASAKAWA 03/04/04 APPR: I.YAMAGUCHI 03/04/04		REVISED EC NO. J2002-2828 DRWN: T.HANYU 02/5/15 CH'K: M.SASAO 02/5/15 APPR: M.SASAO 02/5/15		MATERIAL 材料 注記参照 SEE NOTES		GENERAL TOLERANCES: (UNLESS SPECIFIED) 一般公差		54550-**90		MODEL No.		DIMENSIONS:		SHT REV			
EC NO. DRWN: CH'K: APPR:		EC NO. DRWN: CH'K: APPR:		EC NO. DRWN: CH'K: APPR:		EC NO. DRWN: CH'K: APPR:		FINISH 仕上げ //		10 UNDER 未満 ±0.2		SCALE — #		DESIGN UNITS <input checked="" type="checkbox"/> mm <input type="checkbox"/> INCH		THIRD ANGLE PROJECTION <input checked="" type="checkbox"/> <input type="checkbox"/>		<input type="checkbox"/> mm <input type="checkbox"/> INCH <input checked="" type="checkbox"/> mm ONLY		REVISE ON CAD ONLY	
M		L		K		REV		WIRE RANGE 適用層線範囲 //		10 OVER 30 UNDER 未満 ±0.25		DRAWN BY & DATE M.FUJIKURA '99/03/24		TITLE: 0.5 FPC Conn ZIF Hsg Assy SMT RA Upper Contact Embstp Pkg		APPROVED BY & DATE S.KUNISHI '99/03/24		MOLEX INCORPORATED		SHEET NO. 1 OF 4	
8		7		6		5		ANGLE 角度 //		30 OVER 以上 ±0.3		APPROVED BY & DATE M.FUKUSHIMA '99/03/24		MATERIAL NO. SD-54550-006.S01		DRAWING NO. SD-54550-006		SIZE B		EN-02J(097) MXJ-54	
										THIS DRAWING CONTAINS INFORMATION THAT IS PROPRIETARY TO MOLEX INCORPORATED AND SHOULD NOT BE USED WITHOUT WRITTEN PERMISSION.											

DWG. NO.  
SD-54550-006

引き出し方向  
PULL OUT DIRECTION



SECT. Y-Y



SECT. X-X

16mm幅キャリアテープ  
16mm WIDTH CARRIER TAPE

16	17.5	4.3	8.4	9.5	54550-0690	6	
		3.8	7.9	9	54550-0590	5	
キャリアテープ幅 CARRIER TAPE WIDTH		D	(C)	(B)	(A)	製品番号 MATERIAL No.	種数 Ck+

DO NOT SCALE DRAWING

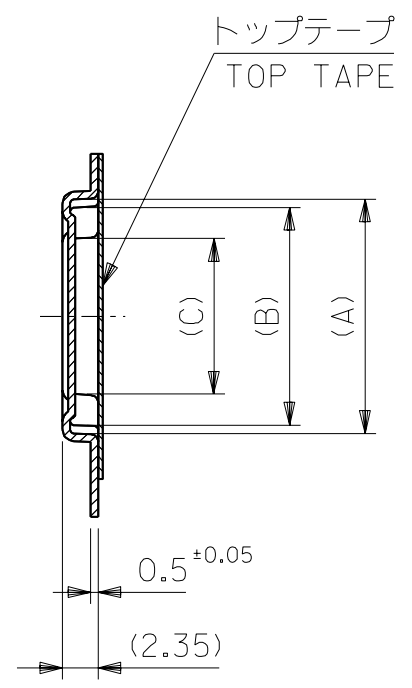
EC NO. DRWN: CHK: APPR:	EC NO. DRWN: CHK: APPR:	EC NO. DRWN: CHK: APPR:	EC NO. DRWN: CHK: APPR:	EC NO. DRWN: CHK: APPR:	EC NO. DRWN: CHK: APPR:	EC NO. DRWN: CHK: APPR:
	M	L	K			
				SEE SHEET 1 OF 4		

MATERIAL 材料	SHEET 1 OF 4 参照 REFER TO SHEET 1 OF 4
FINISH 仕上げ	//
WIRE RANGE 適用線径範囲	//
INS. RANGE 被覆外径	//

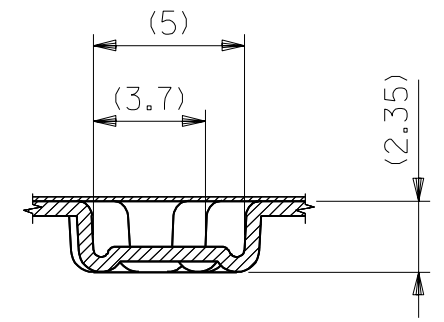
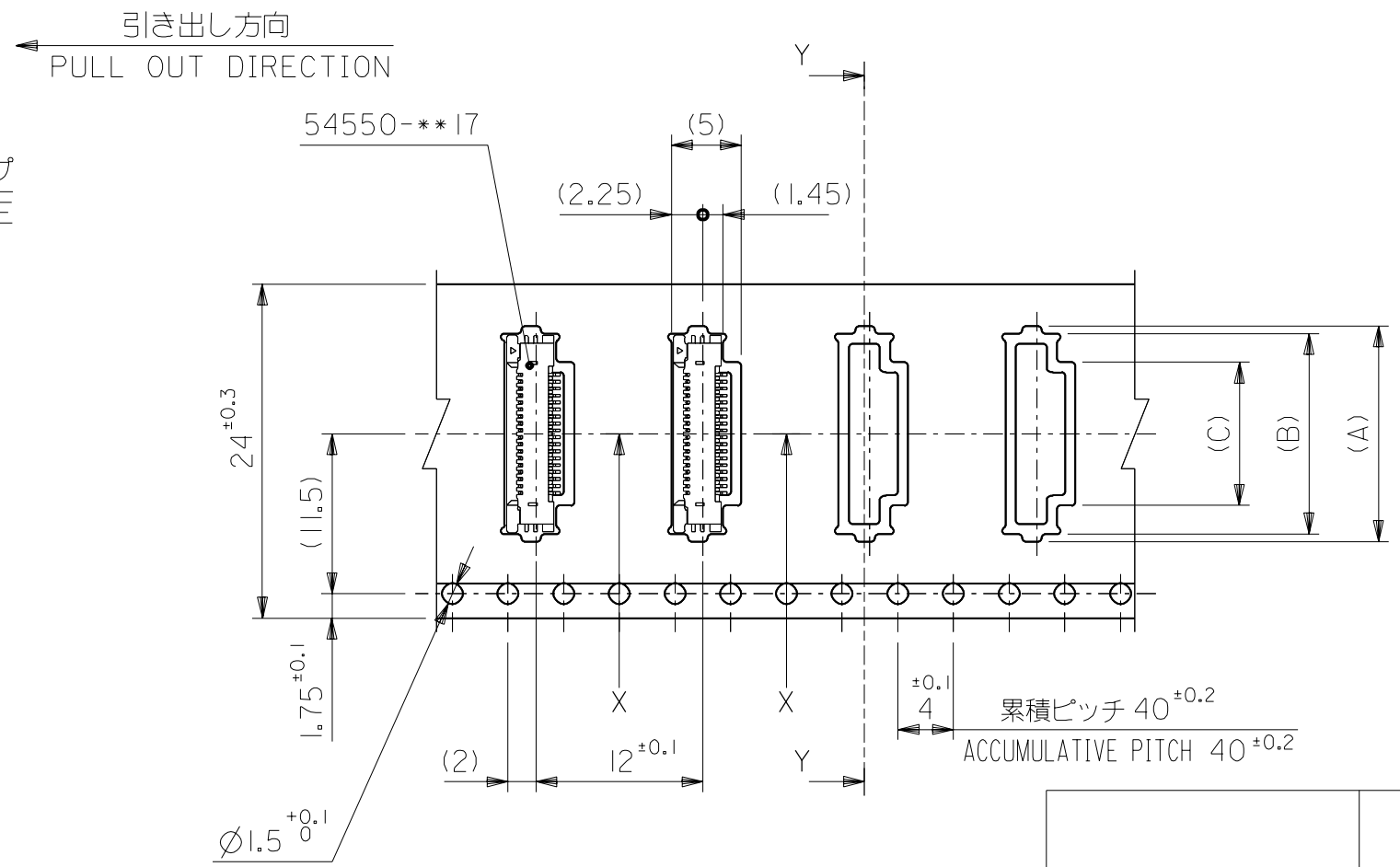
GENERAL TOLERANCES: (UNLESS SPECIFIED) 一般公差	SCALE	DESIGN UNITS
10 UNDER 未満	—	mm □ INCH
10 OVER 30 UNDER 以上 未満	±0.2	☒ mm □ INCH
30 OVER 以上	±0.25	☒ mm ONLY
ANGLE 角度	±0.3	3°

54550-***90	MODEL No.	DIMENSIONS:	SHT	REV
		☐ mm □ INCH ☒ mm □ INCH ☒ mm ONLY		
DRAWN BY & DATE M.FUJIKURA '99/03/24		THIRD ANGLE PROJECTION		
CHECKED BY & DATE S.KUNISHI '99/03/24		TITLE: 0.5 FPC Conn ZIF Hsg Assy SMT RA Upper Contact Embstp Pkg		
APPROVED BY & DATE M.FUKUSHIMA '99/03/24		MOLEX INCORPORATED		
CAD FILENAME SD-54550-006.S02	MATERIAL NO. SEE CHART	DRAWING NO. SD-54550-006	SHEET NO. 2 OF 4	REVISE ON CAD ONLY
THIS DRAWING CONTAINS INFORMATION THAT IS PROPRIETARY TO MOLEX INCORPORATED AND SHOULD NOT BE USED WITHOUT WRITTEN PERMISSION.				SIZE B

DWG. NO.  
SD-54550-006



SECT. Y-Y



SECT. X-X

24mm幅キャリアテープ  
24mm WIDTH CARRIER TAPE

24	25.5	12.3	16.4	17.5	54550-2290	22	
		11.8	15.9	17	54550-2190	21	
		11.3	15.4	16.5	54550-2090	20	
		10.8	14.9	16	54550-1990	19	
		10.3	14.4	15.5	54550-1890	18	
		9.8	13.9	15	54550-1790	17	
		9.3	13.4	14.5	54550-1690	16	
		8.8	12.9	14	54550-1590	15	
		8.3	12.4	13.5	54550-1490	14	
		7.8	11.9	13	54550-1390	13	
		7.3	11.4	12.5	54550-1290	12	
		6.8	10.9	12	54550-1190	11	
		6.3	10.4	11.5	54550-1090	10	
		5.8	9.9	11	54550-0990	9	
		5.3	9.4	10.5	54550-0890	8	
4.8	8.9	10	54550-0790	7			
キャリアテープ幅 CARRIER TAPE WIDTH		D	(C)	(B)	(A)	製品番号 MATERIAL No.	極数 Ck+

DO NOT SCALE DRAWING

EC NO. DRWN: CHK: APPR:	EC NO. DRWN: CHK: APPR:	EC NO. DRWN: CHK: APPR:	EC NO. DRWN: CHK: APPR:	SEE SHEET 1 OF 4	DESCRIPTION
		M	L	K	MATERIAL 材料
					SHEET 1 OF 4 参照 REFER TO SHEET 1 OF 4
					FINISH 仕上げ
					WIRE RANGE 適用電線範囲
					INS. RANGE 被覆外径

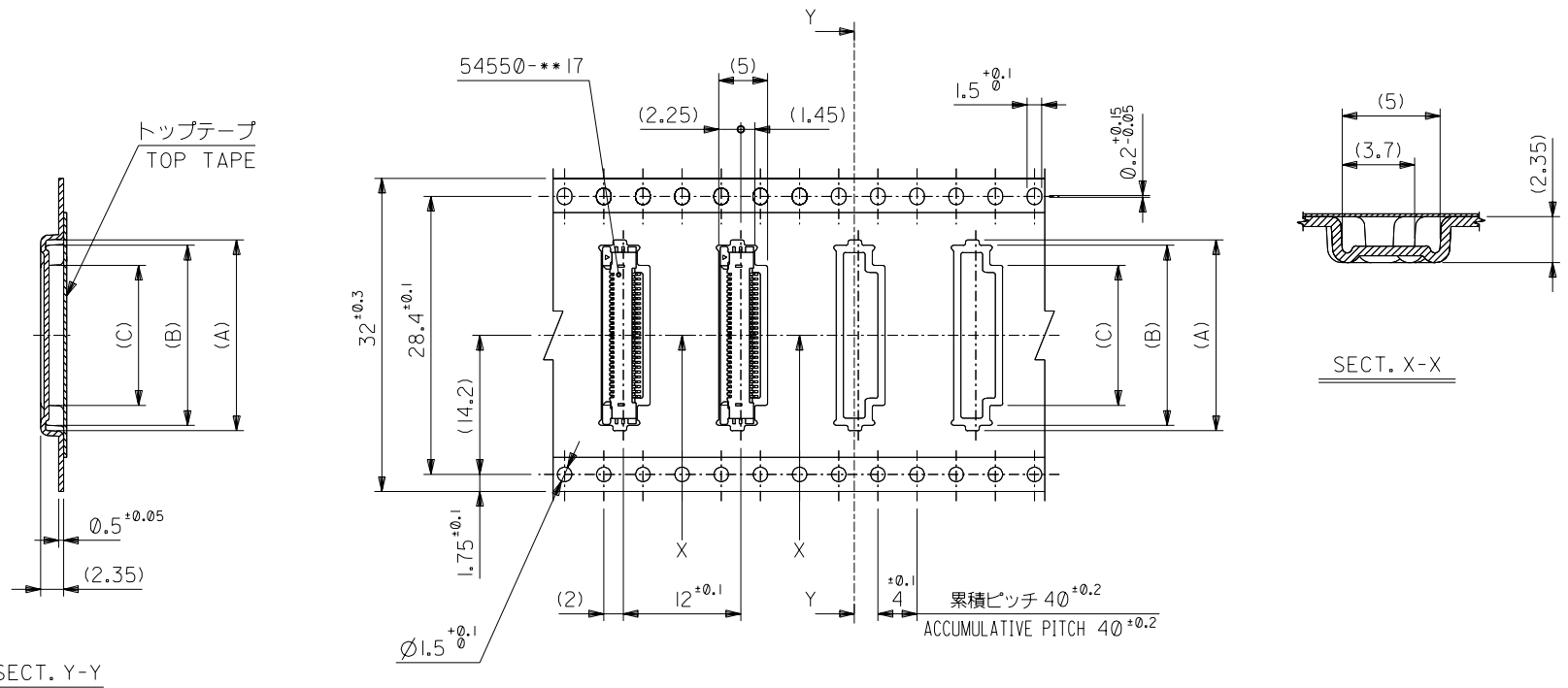
GENERAL TOLERANCES: (UNLESS SPECIFIED) 一般公差		SCALE —#—	DESIGN UNITS <input checked="" type="checkbox"/> mm <input type="checkbox"/> INCH	MODEL No.	DIMENSIONS: <input type="checkbox"/> mm <input type="checkbox"/> INCH <input checked="" type="checkbox"/> mm ONLY	SHT	REV
10 UNDER 未満	±0.2	DRAWN BY & DATE M.FUJIKURA '99/03/24		TITLE: 0.5 FPC Conn ZIF Hsg Assy SMT RA Upper Contact Embstp Pkg			
10 OVER 以上	±0.25	CHECKED BY & DATE S.KUNISHI '99/03/24		MOLEX INCORPORATED			
30 OVER 以上	±0.3	APPROVED BY & DATE M.FUKUSHIMA '99/03/24		MATERIAL NO. SEE CHART	DRAWING NO. SD-54550-006	SHEET NO. 3 OF 4	
ANGLE 角度	±3°	CAD FILENAME SD-54550-006.S03		THIS DRAWING CONTAINS INFORMATION THAT IS PROPRIETARY TO MOLEX INCORPORATED AND SHOULD NOT BE USED WITHOUT WRITTEN PERMISSION.			

54550-**-90	MODEL No.	DIMENSIONS: <input type="checkbox"/> mm <input type="checkbox"/> INCH <input checked="" type="checkbox"/> mm ONLY	SHT	REV

SD-54550-006.S03

DWG. NO.  
SD-54550-006

引き出し方向  
PULL OUT DIRECTION



32mm幅キャリアテープ  
32mm WIDTH CARRIER TAPE

32	33.5	14.3	18.4	19.5	54550-2690	26
		13.3	17.4	18.5	54550-2490	24
キャリアテープ幅 CARRIER TAPE WIDTH	D	(C)	(B)	(A)	製品番号 MATERIAL No.	種数 Ck+

DO NOT SCALE DRAWING

EC NO. DRAWN: CHK: APPR:	EC NO. DRAWN: CHK: APPR:	EC NO. DRAWN: CHK: APPR:	EC NO. DRAWN: CHK: APPR:	EC NO. DRAWN: CHK: APPR:	EC NO. DRAWN: CHK: APPR:	DESCRIPTION	MATERIAL 材料	GENERAL TOLERANCES: (UNLESS SPECIFIED) 一般公差
		M	L	K	SEE SHEET 1 OF 4	SHEET 1 OF 4 参照 REFER TO SHEET 1 OF 4		SCALE —#
						FINISH 仕上げ		DESIGN UNITS <input checked="" type="checkbox"/> mm <input type="checkbox"/> INCH
						WIRE RANGE 適用線径範囲		THIRD ANGLE PROJECTION
						INS. RANGE 被覆外径		<input type="checkbox"/> mm <input type="checkbox"/> INCH <input checked="" type="checkbox"/> mm ONLY
								SHT REV

54550-***90	MODEL No.	DIMENSIONS:	SHT	REV
		<input type="checkbox"/> mm <input type="checkbox"/> INCH <input checked="" type="checkbox"/> mm ONLY		
DRAWN BY & DATE N.YANO '99/10/25	TITLE: 0.5 FPC Conn ZIF Hsg Assy SMT RA Upper Contact Embstp Pkg			
CHECKED BY & DATE S.KUNISHI '99/10/25	MOLEX INCORPORATED			
APPROVED BY & DATE M.FUKUSHIMA '99/10/25	CAD FILENAME	MATERIAL NO.	DRAWING NO.	SHEET NO.
	SD-54550-006.S04	SEE CHART	SD-54550-006	4 OF 4
THIS DRAWING CONTAINS INFORMATION THAT IS PROPRIETARY TO MOLEX INCORPORATED AND SHOULD NOT BE USED WITHOUT WRITTEN PERMISSION.				SIZE B

SD-54550-006.S04