

THIS DRAWING IS UNPUBLISHED.

RELEASED FOR PUBLICATION

© COPYRIGHT - By -

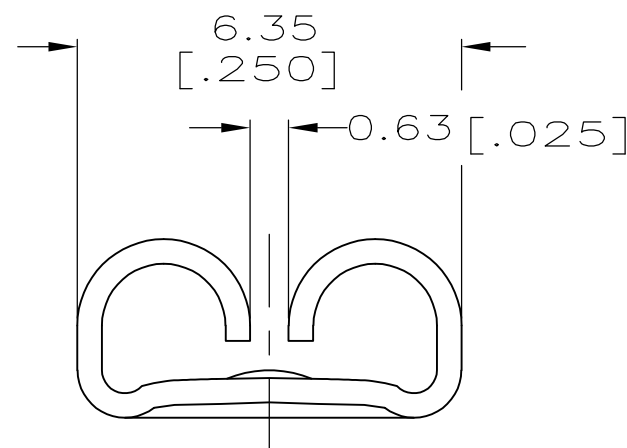
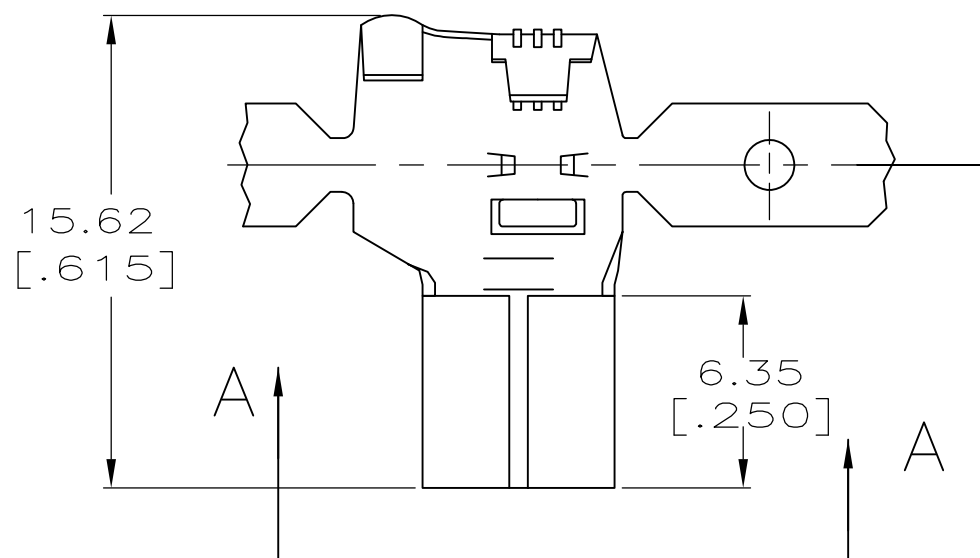
ALL RIGHTS RESERVED.

LOC AF DIST 50

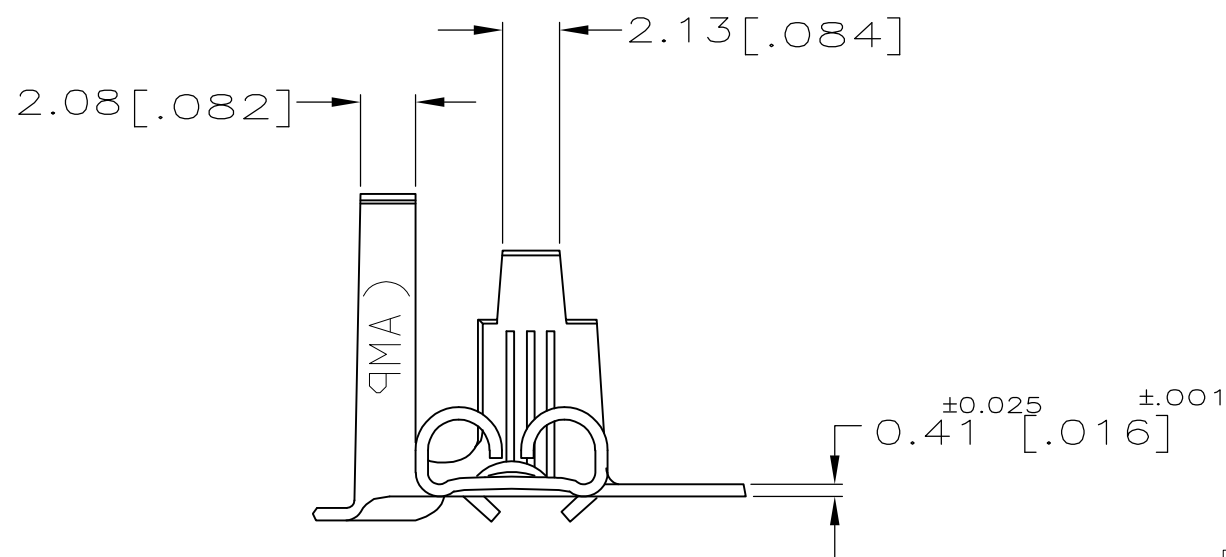
REVISIONS

P	LTR	DESCRIPTION	DATE	DWN	APVD
G		REVISED PER ECR-12-013518	10DEC12	KH	PD

1 CONTINUOUS STRIP ON REELS.



VIEW A-A
SCALE 8:1



2.79-5.33 DIA [.110-.210] DIA	[14-12] AWG	0.64#0.025 [.025#0.001]	63779-1
INSUL RANGE	WIRE SIZE	MATING TAB THICKNESS	PART NUMBER

THIS DRAWING IS A CONTROLLED DOCUMENT.		DWN JR RUTH 3/22/94	STE TE Connectivity		
DIMENSIONS: mm [INCHES]		CHK P FORTNEY 3/22/94			
TOLERANCES UNLESS OTHERWISE SPECIFIED:		APVD P DESANTIS 3/22/94	NAME		
0 PLC ± -		PRODUCT SPEC	RECEPTACLE, FASTON, FLAG, 5.21 [.205] SERIES		
1 PLC ± -		APPLICATION SPEC	SIZE	CAGE CODE	DRAWING NO
2 PLC ± 0.25 [.010]		114-2078	A3	00779	C-63779
3 PLC ± -		WEIGHT	RESTRICTED TO		
4 PLC ± -		-	-		
ANGLES ± -		CUSTOMER DRAWING	SCALE 4:1	SHEET 1 OF 1	REV G
MATERIAL BRASS	FINISH TIN				