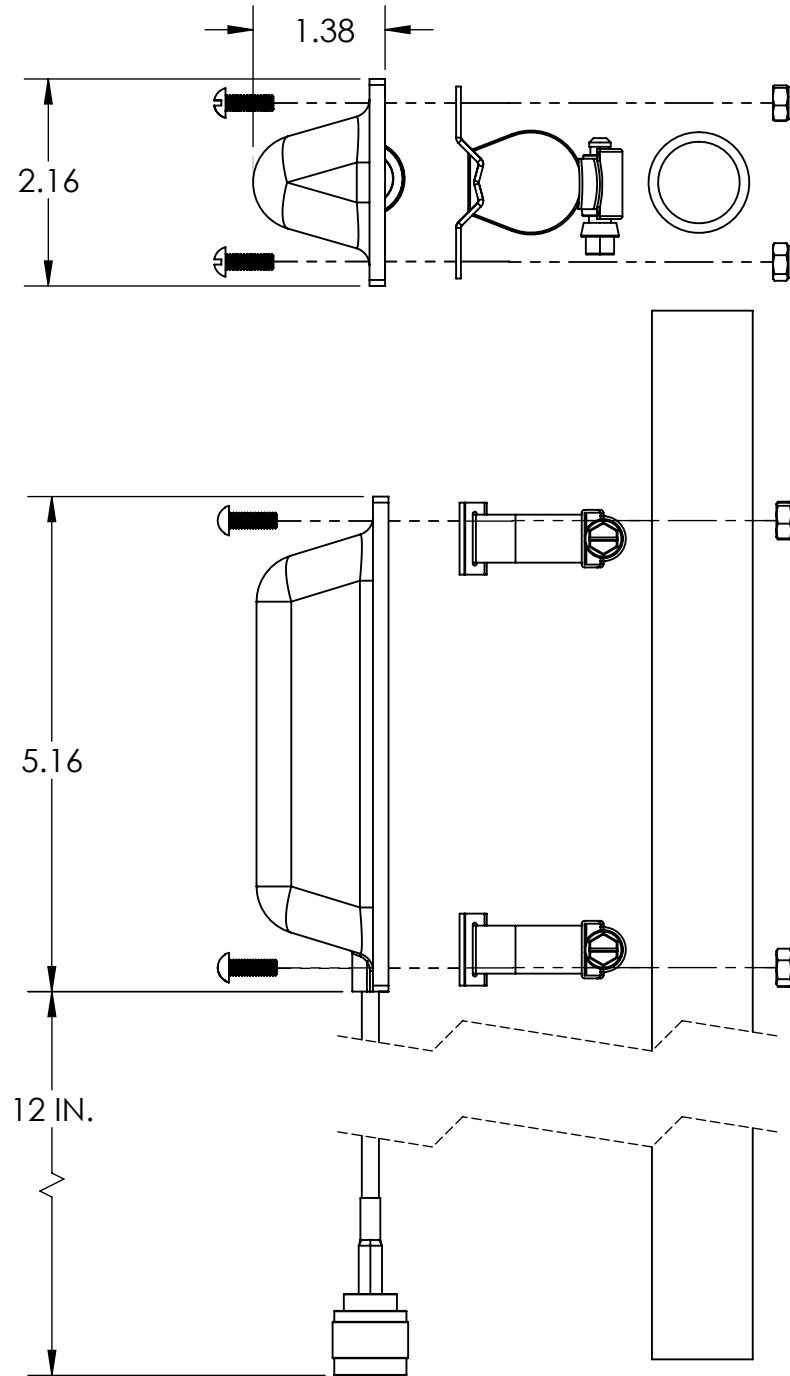
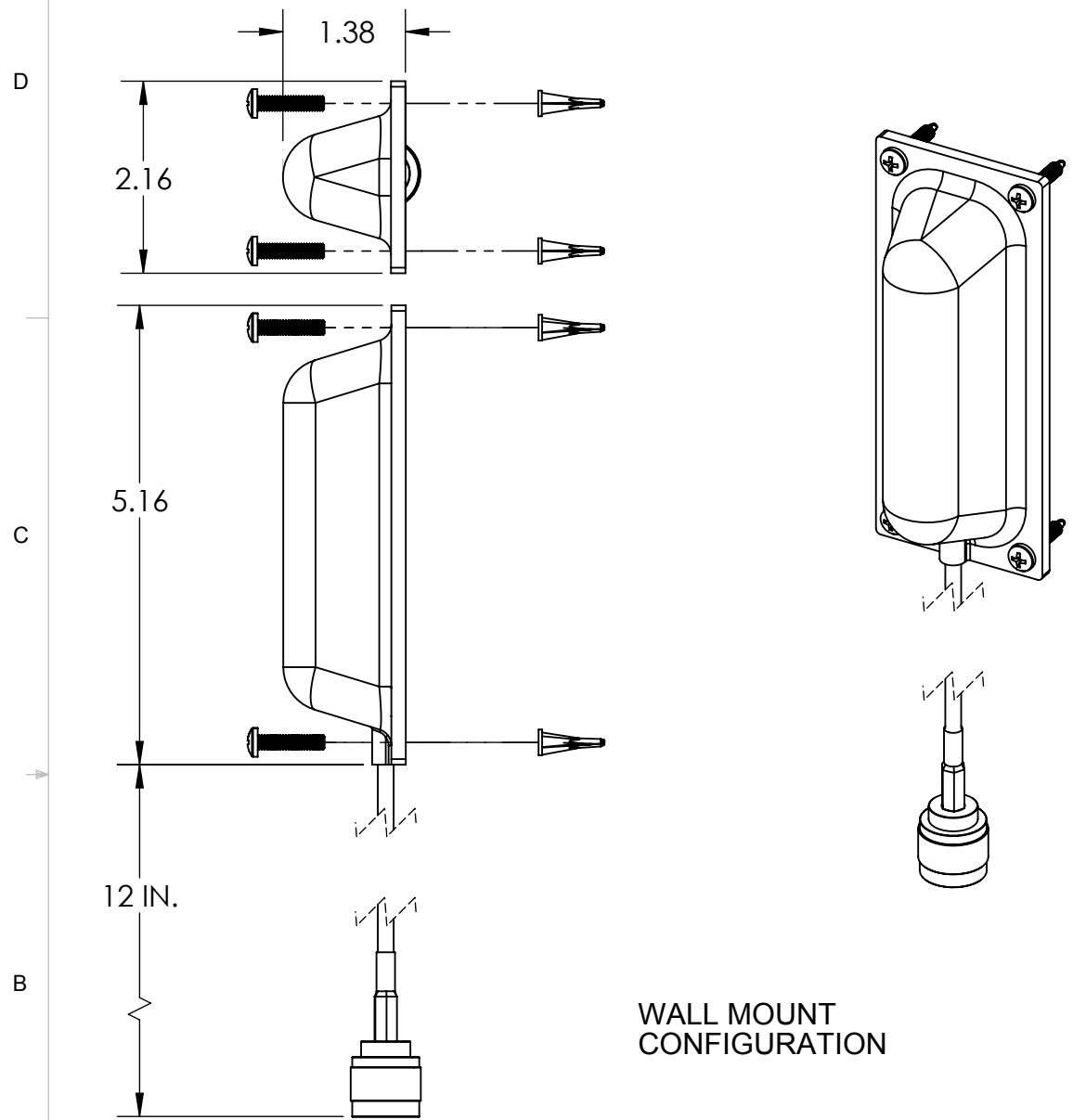


THIS DRAWING IS UNPUBLISHED. RELEASED FOR PUBLICATION --,-- .
 © Copyright 2022 TE Connectivity Ltd. ALL RIGHTS RESERVED.

REVISIONS		DESCRIPTION	DATE	APPROVED
ECR	REV. AA	FORMAL RELEASE	2/23/2007	AA



Parameter	Performance
Model Number	SR249120D12NM
Frequency	2.4-2.5/4.9-5.9 GHz
Gain	5 dBi Typical
Polarization	Vertical Linear
VSWR	2.0:1
Horizontal 3dB Beamwidth	120 Degrees (Nominal)
Vertical 3dB Beamwidth	65 Degrees (Nominal)
Cable	Low Loss FEP RG-58
Cable length	12"
RF Connector	N-Male
Power	5 Watts
Antenna Weight	0.2 lbs. (0.09 kg.)
Radome Color	White
Mounting	Wall & Mast

WALL MOUNT CONFIGURATION

POLE MOUNT CONFIGURATION

The component(s), including any plating or coatings, supplied per this drawing must be compliant with EU Directive 2002/95/EC (RoHS Directive).

APPROVALS		DATE	DO NOT SCALE DRAWING INTERPRET DIMENSIONING AND TOLERANCING IN ACCORDANCE WITH ASME Y14.5M-1994
DRAWN BY	M TEITSCH	2/23/07	
PROJ. ENGINEER	J MORROW	2/23/07	TOLERANCES UNLESS OTHERWISE SPECIFIED DIMENSIONS ARE IN INCHES FRACTIONAL ± 1/64 ANGULAR: MACH ± 1/2° TWO PLACE DECIMAL ± .01 THREE PLACE DECIMAL ± .005
PROGRAM MGR.	A ALEVY	2/23/07	

TE
connectivity

TITLE: **SR249120D12NM**

SIZE **B** DWG. NO. **SR249120D12NM** REV **AA**

SCALE: 1:2 PREVIOUS# SHEET 1 OF 1