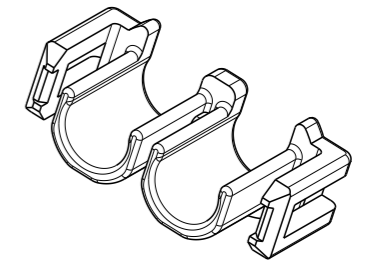
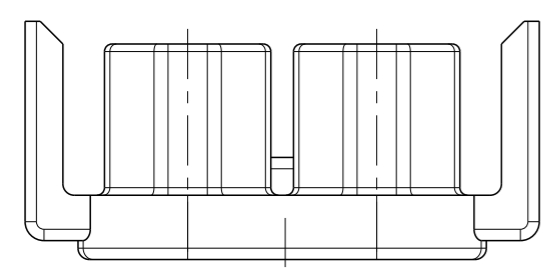
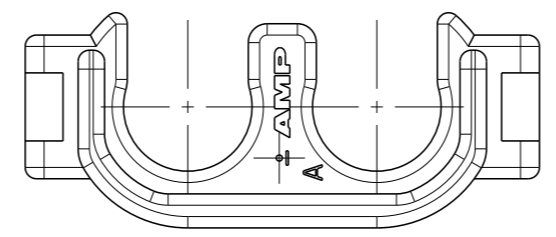
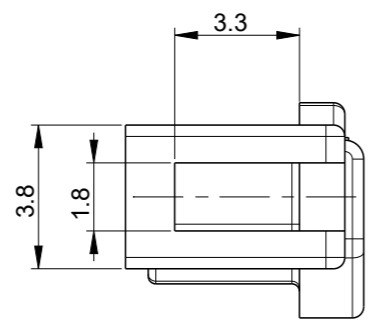
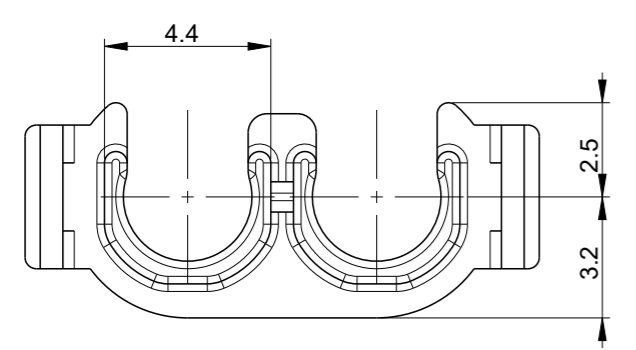
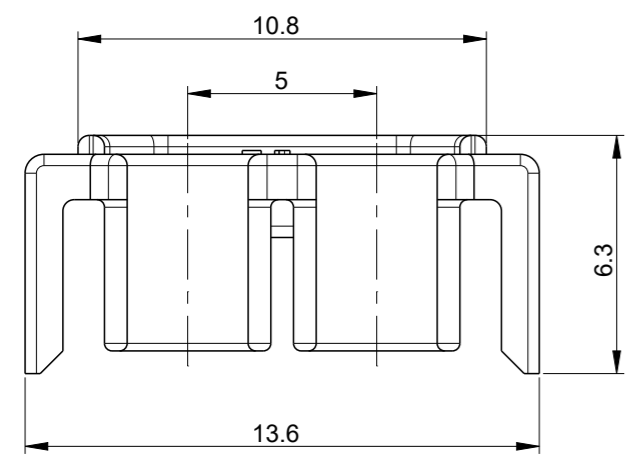
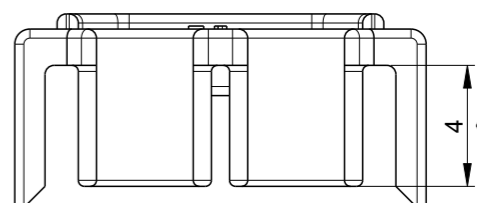
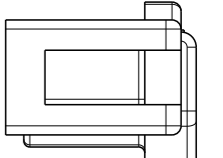
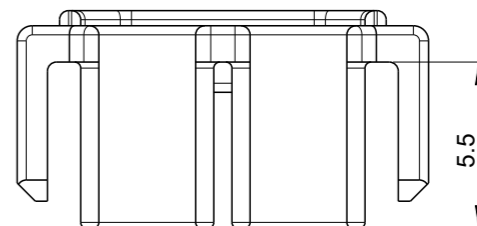
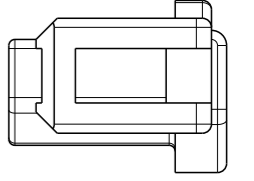


THIS DRAWING IS UNPUBLISHED. RELEASED FOR PUBLICATION 20  
 © COPYRIGHT20 BY - ALL RIGHTS RESERVED.

REVISIONS					
P	LTR	DESCRIPTION	DATE	DWN	APVD
	A2	REVISED (ECR-16-005448)	30.MAY.16	KT	HG
	A3	REVISED (ECR-18-000247)	21.DEC.17	JS	YJ
	A4	REVISED (ECR-18-017269)	01.NOV.18	JS	YJ
	A5	REVISED (ECR-20-004115)	18.MAR.20	JH	YJ




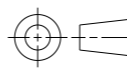
SCALE 3:1

DBL CODING	TYPE A	 SCALE 4:1		 SCALE 4:1	
	(A2) TYPE B	 SCALE 4:1	 SCALE 4:1		

NOTE

- 1. APPLICABLE PLUG HSG P/N : 936059, 2005388
- 2. GENERAL TOLERANCE :  $\pm 0.3, \pm 3^\circ$

TYPE	COLOR	MATERIAL	PART NO.
(A2) B	GRAY	PBT	1-936103-3
(A5) B	BLACK	PBT	1-936103-2
A	GRAY	PBT	0-936103-3
A	BLACK	PBT	0-936103-2
A	YELLOW	PBT	0-936103-1

THIS DRAWING IS A CONTROLLED DOCUMENT.		DWN <b>JW LEE</b>	 TE Connectivity		
DIMENSIONS: <b>mm</b>		CHK <b>BM JANG</b>			
		APVD <b>CS LEE</b>	NAME <b>DBL HSG FOR 2.8mm SEALED 2P PLUG ASSY</b>		
TOLERANCES UNLESS OTHERWISE SPECIFIED:		PRODUCT SPEC -	SIZE <b>A3</b>	CAGE CODE <b>00779</b>	DRAWING NO <b>C-936103</b>
0 PLC $\pm$		APPLICATION SPEC -	RESTRICTED TO -		
1 PLC $\pm$		WEIGHT -	SCALE <b>5:1</b>		
2 PLC $\pm$		MATERIAL <b>SEE TABLE</b>	SHEET 1 OF 1		
3 PLC $\pm$			REV <b>A5</b>		
4 PLC $\pm$		CUSTOMER DRAWING			
ANGLES $\pm$					
FINISH -					