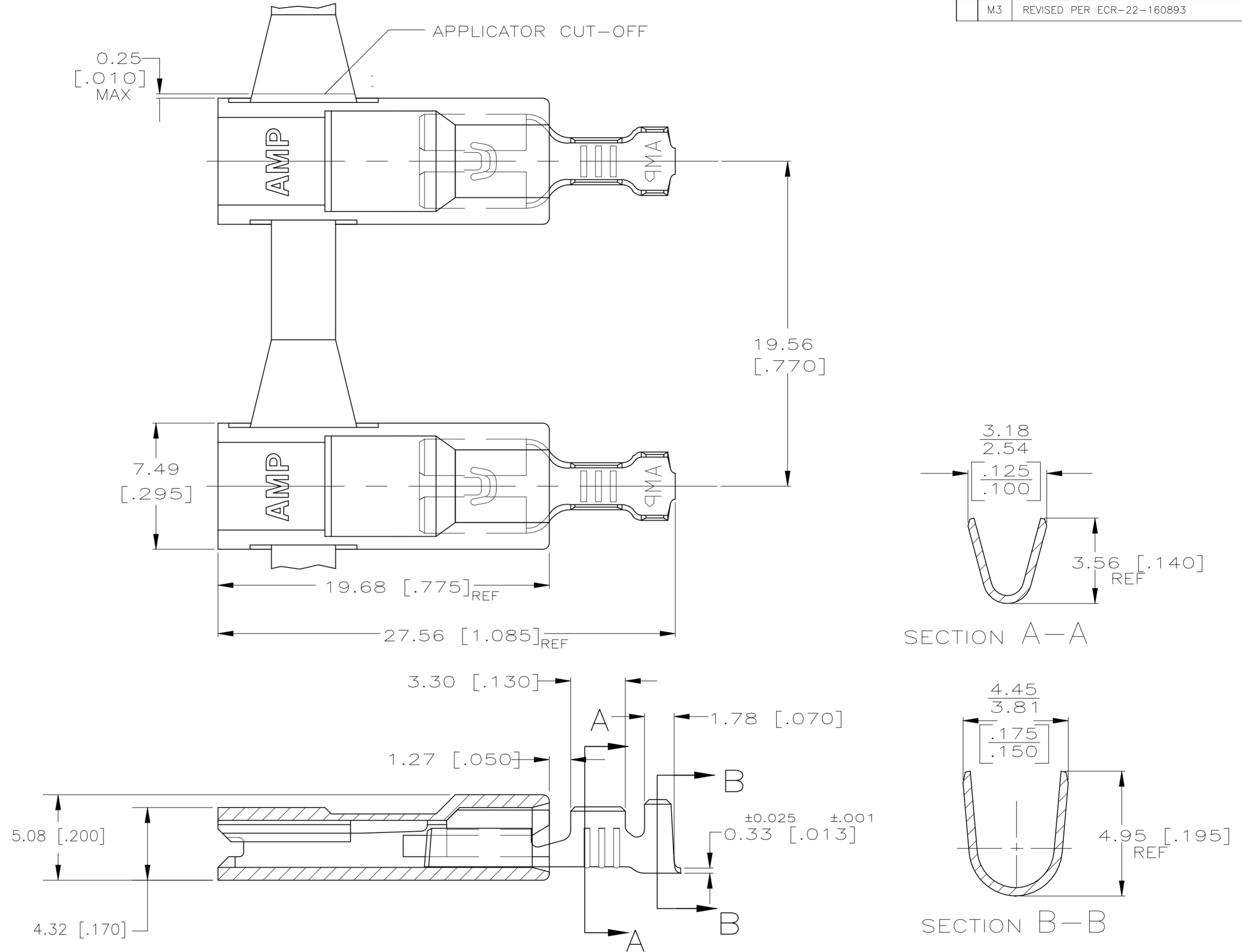


REVISIONS					
P	LTR	DESCRIPTION	DATE	DWN	APVD
M3		REVISED PER ECR-22-160893	14DEC2022	DB	BW



1 FASTON TERMINALS, BASE P/N 63653, ARE USED IN THIS PRODUCT.

2 TIN PLATE PER MIL-T-10727

3 MATERIAL: HOUSING - 6/6 NYLON  
TERMINAL - BRASS

4 FINISH: HOUSING - COLOR, NATURAL  
TERMINAL - SEE TABLE

OBSOLETE	BULK	TIN 2	2.29-3.30 [.090-.130] DIA	0.5-1.3 mm <sup>2</sup> [20-16]	0.508 [.020]	5-520973-2
OBSOLETE	BULK	PLAIN				5-520973-1
	STANDARD	TIN 2				520973-2
	STANDARD	PLAIN				520973-1
	PACKAGING	TERMINAL FINISH	INSULATION RANGE	WIRE SIZE	MATING TAB THK ±0.025 [±.001]	PART NO.

THIS DRAWING IS A CONTROLLED DOCUMENT.		DWN	JR RUTH	3/20/90	 TE Connectivity
		CHK	MS FEHER	3/20/90	
		APVD	R KUZO	3/20/90	
		PRODUCT SPEC	108-1285		
		APPLICATION SPEC	114-2124		NAME
		MATERIAL	3		SIZE
		FINISH	4		CAGE CODE
					DRAWING NO
					RESTRICTED TO
					SCALE
					SHEET
					REV