

PI-EX-NAM/TO - Signal isolator



2835574

<https://www.phoenixcontact.com/us/products/2835574>

Please be informed that the data shown in this PDF document is generated from our online catalog. Please find the complete data in the user documentation. Our general terms of use for downloads are valid.



Ex i binary input: NAMUR isolation amplifiers. For operating proximity sensors and switches in Ex areas. The binary signals are transmitted to a safe area. Transistor output (active), line fault detection. Electrical isolation.

Commercial data

Item number	2835574
Packing unit	1 pc
Minimum order quantity	1 pc
Sales key	C430
Product key	CK3831
Catalog page	Page 461 (IF-2009)
GTIN	4017918894863
Weight per piece (including packing)	93.9 g
Weight per piece (excluding packing)	90.8 g
Customs tariff number	85365019
Country of origin	DE

PI-EX-NAM/TO - Signal isolator



2835574

<https://www.phoenixcontact.com/us/products/2835574>

Technical data

Notes

General	The electronics module is plugged into a basic terminal block.
---------	--

Product properties

Product type	Isolating switch transf.
Application	Digital IN
No. of channels	1

Electrical properties

No. of channels	1
Electrical isolation between input and output	yes

Electrical isolation Input/output

Electrical isolation	375 V (Peak value as per EN 50020 / EN 60079-11)
----------------------	--

Electrical isolation Input/power supply

Electrical isolation	375 V (Peak value as per EN 50020 / EN 60079-11)
----------------------	--

Supply

Supply voltage range	20 V DC ... 30 V DC
Max. current consumption	25 mA
Power consumption	max. 0.6 W (24 V)

Input data

Signal: NAMUR

Description of the input	Intrinsically safe
Number of inputs	1
Available input sources	NAMUR proximity sensors (IEC/EN 60947-5-6) Floating switch contacts Switch contacts with resistance circuit
Switching threshold "0" signal current	< 1.2 mA (blocking)
Switching threshold "1" signal, current	> 2.1 mA (conductive)
Line fault detection	can be enabled/disabled via switch
Non-load voltage	8.2 V DC \pm 10 %

Output data

Switching: Transistor

Configurable/programmable	Can be inverted via slide switch
Continuous load current	100 mA (short-circuit-proof)

Signal

Number of outputs	1
Max. voltage output signal	$U_A = U_B - 2 \text{ V}$

PI-EX-NAM/TO - Signal isolator



2835574

<https://www.phoenixcontact.com/us/products/2835574>

Switching behavior	Can be inverted via slide switch
Switching frequency	max. 1.2 kHz (DC)

Connection data

Connection method	Screw connection
-------------------	------------------

Ex data

Safety data

Max. output voltage U_o	10.6 V
Max. output current I_o	33 mA
Max. output power P_o	86 mW
Safety-related maximum voltage U_m	250 V AC
IIA: Max. external inductivity L_o / Max. external capacitance C_o	230 mH / 72 μ F
IIB: Max. external inductivity L_o / Max. external capacitance C_o	110 mH / 16.2 μ F
IIC: Max. external inductivity L_o / Max. external capacitance C_o	30 mH / 2.3 μ F

Signaling

Status display	Green LED (supply voltage)
	Yellow LED (status display)
	Red LED (line errors)

Dimensions

Dimensional drawing	
Width	12.4 mm
Height	79 mm
Depth	118.4 mm

Material specifications

Flammability rating according to UL 94	V0
Housing material	PBT and polyamide PA non-reinforced

Environmental and real-life conditions

Ambient conditions

Degree of protection	IP20
Ambient temperature (operation)	-20 °C ... 60 °C (see data sheet)
Ambient temperature (storage/transport)	-40 °C ... 85 °C

Approvals

PI-EX-NAM/TO - Signal isolator



2835574

<https://www.phoenixcontact.com/us/products/2835574>

CE

Certificate	CE-compliant
-------------	--------------

ATEX

Identification	⊕ II (1) G [Ex ia Ga] IIC
	⊕ II (1) D [Ex ia Da] IIIC
	⊕ II 3 G Ex nA IIC T4 Gc
Certificate	PxCIF07ATEX2835341X

UL, USA/Canada

Identification	applied for
----------------	-------------

EAC Ex

Identification	⊕ [Ex ia Ga] IIC
Certificate	RU C-DE.AB72.B.00097/19

Standards and regulations

Standards

Standards/regulations	NAMUR recommendation NE 21
-----------------------	----------------------------

PI-EX-NAM/TO - Signal isolator

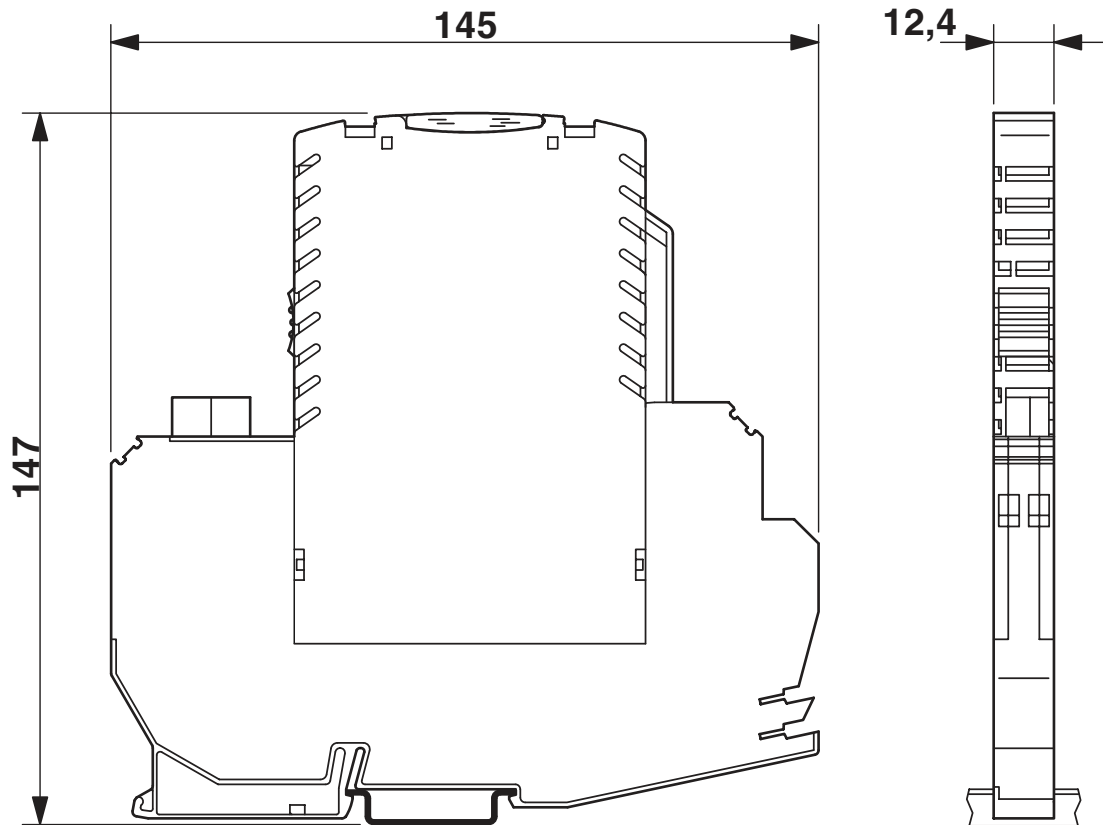
2835574

<https://www.phoenixcontact.com/us/products/2835574>



Drawings

Dimensional drawing



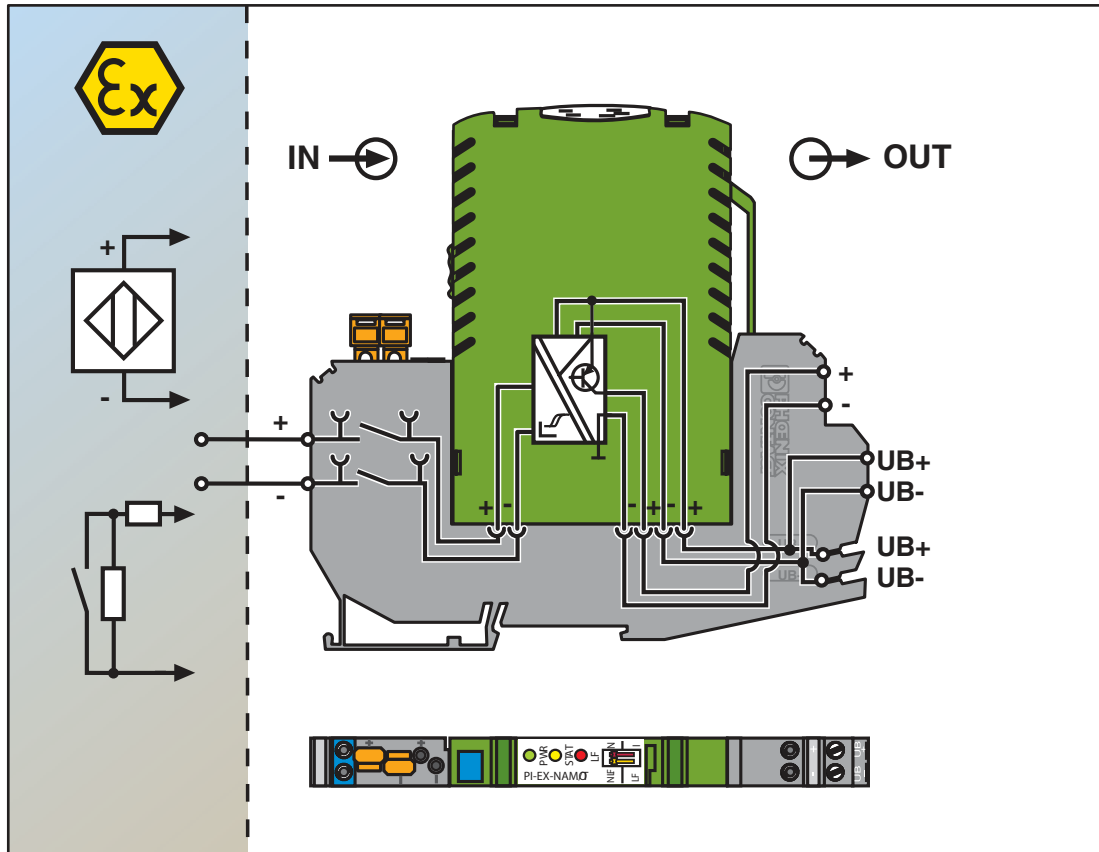
PI-EX-NAM/TO - Signal isolator

2835574

<https://www.phoenixcontact.com/us/products/2835574>



Block diagram



PI-EX-NAM/TO - Signal isolator



2835574

<https://www.phoenixcontact.com/us/products/2835574>

Approvals

To download certificates, visit the product detail page: <https://www.phoenixcontact.com/us/products/2835574>



ATEX

Approval ID: KEMA 00ATEX1126



EAC Ex

Approval ID: RU C-DE.*72.B.*97/19

PI-EX-NAM/TO - Signal isolator



2835574

<https://www.phoenixcontact.com/us/products/2835574>

Classifications

ECLASS

ECLASS-11.0	27210121
ECLASS-12.0	27210121

ETIM

ETIM 8.0	EC001485
----------	----------

UNSPSC

UNSPSC 21.0	39121000
-------------	----------

PI-EX-NAM/TO - Signal isolator



2835574

<https://www.phoenixcontact.com/us/products/2835574>

Environmental product compliance

REACH SVHC	Lead 7439-92-1
China RoHS	Environmentally Friendly Use Period = 50 years
	For information on hazardous substances, refer to the manufacturer's declaration available under "Downloads"

PI-EX-NAM/TO - Signal isolator

2835574

<https://www.phoenixcontact.com/us/products/2835574>



Accessories

TT-PI-EX-TB - Surge protection device

2858386

<https://www.phoenixcontact.com/us/products/2858386>



Intrinsically safe basic terminal block with isolating connector, test connections and surge protection, for mounting on NS 35/7.5

PI-EX-ES-1/3 - Basic terminal block

2835325

<https://www.phoenixcontact.com/us/products/2835325>



Ex basic terminal block, with three terminal points to the field level (Ex area)

Phoenix Contact 2023 © - all rights reserved

<https://www.phoenixcontact.com>

Phoenix Contact USA

586 Fulling Mill Road

Middletown, PA 17057, United States

(+717) 944-1300

info@phoenixcon.com