

Launch Pin to Pin Contact with 0.012" Diameter Full  
Radius Pin with 0.255" Pin Length and Dielectric



TECHNICAL DATA SHEET

PE1017-3

**Configuration**

Description	Launch Pin to Pin Contact
Pin Diameter, in [mm]	0.012 [0.31]
Pin Length, in [mm]	0.255 [6.48]
Contact Diameter, in [mm]	0.007 [0.18]
Tab Size, in	0.030
Contact Material and Plating	Beryllium Copper Gold
Contact Plating Specification	40µ in minimum
Dielectric Material	PTFE

**Compliance Certifications** (see product page for current document)

**Plotted and Other Data**

- Notes:
- Values at +25 °C, sea level

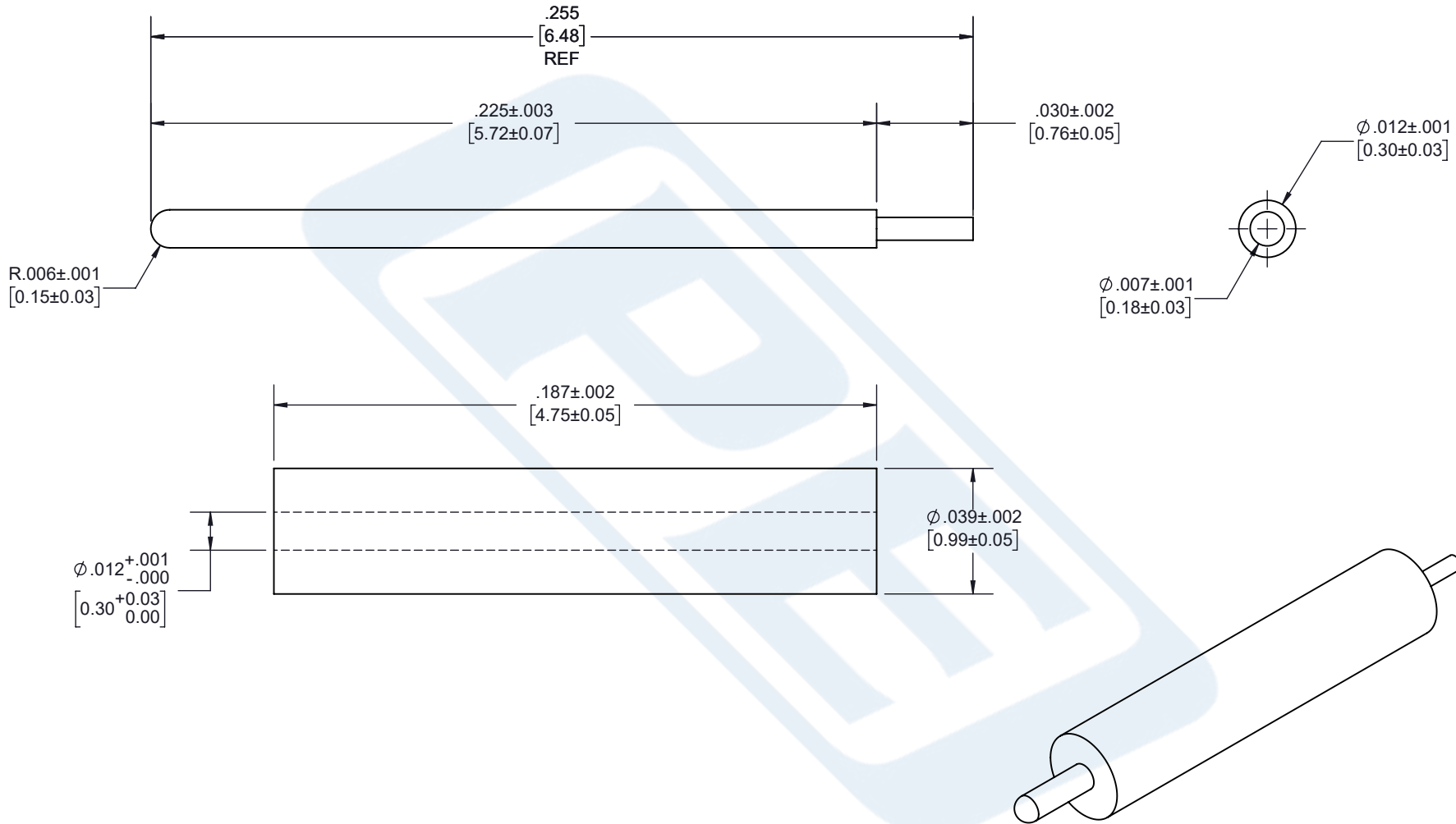
Launch Pin to Pin Contact with 0.012" Diameter Full Radius Pin with 0.255" Pin Length and Dielectric from Pasternack Enterprises has same day shipment for domestic and International orders. Our RF, microwave and millimeter wave products maintain a 99.4% availability and are part of the broadest selection in the industry.

Click the following link (or enter part number in "SEARCH" on website) to obtain additional part information including price, inventory and certifications: [Launch Pin to Pin Contact with 0.012" Diameter Full Radius Pin with 0.255" Pin Length and Dielectric PE1017-3](#)

URL: <https://www.pasternack.com/hermetic-seal-solder-contact-0.011-pin-diameter-0-body-0.255-pin-pe1017-3-p.aspx>

The information contained in this document is accurate to the best of our knowledge and representative of the part described herein. It may be necessary to make modifications to the part and/or the documentation of the part, in order to implement improvements. Pasternack reserves the right to make such changes as required. Unless otherwise stated, all specifications are nominal. Pasternack does not make any representation or warranty regarding the suitability of the part described herein for any particular purpose, and Pasternack does not assume any liability arising out of the use of any part or documentation.

REVISIONS			
REV.	DESCRIPTION	DATE	APPROVED
A	INITIAL RELEASE	2/22/2021	S.PONG



**PE1017-3 CAD Drawing**  
 Launch Pin to Pin Contact with 0.012" Diameter Full Radius  
 Pin with 0.255" Pin Length and Dielectric

**NOTES:**

- FINISH (PLATING THICKNESS IN MICRO-INCHES)
  - BERYLLIUM COPPER.
  - GOLD PL.40 MIN. OVER NICKEL-PHOSPHORUS ALLOY
  - PL. 80 MIN. OVER COPPER PL. 20MIN.

THESE COMMODITIES, TECHNOLOGY OR SOFTWARE WERE EXPORTED FROM THE UNITED STATES IN ACCORDANCE WITH THE EXPORT ADMINISTRATION REGULATIONS. DIVERSION CONTRARY TO U.S. LAW PROHIBITED.

UNLESS OTHERWISE SPECIFIED LEADING DIMENSIONS ARE INCHES DIMENSIONS IN [ ] ARE MILLIMETERS <b>TOLERANCES:</b> .X = ±.2 [5.08]    FRACTIONS ± 1/32 .XX = ±.02 [.51]    ANGLES ± 1° .XXX = ±.005 [.13] <b>CABLE LENGTH (L) TOLERANCES:</b> L ≤ 12 [305] = +1 [25] / -0 12 [305] < L ≤ 60 [1524] = +2 [51] / -0 60 [1524] < L ≤ 120 [3048] = +4 [102] / -0 120 [3048] < L ≤ 300 [7620] = +6 [152] / -0 300 [7620] < L = +5%L / -0 ALL DIMENSIONS SHOWN ARE FOR REFERENCE ONLY.		<b>PE PASTERNAK</b> an INFINITI <sup>®</sup> brand Pasternack Enterprises, Inc. P.O.Box 16759, Irvine, CA 92623. Phone: 1.949.261.1920   1.866.727.8376 Fax: 1.949.261.7451 Website: www.pasternack.com E-mail: sales@pasternack.com		THIRD-ANGLE PROJECTION  THE INFORMATION AND DESIGN IN THIS DOCUMENT IS THE PROPERTY OF PASTERNAK CORPORATION ALL RIGHTS RESERVED. SHEET 1 OF 1 SCALE N/A
SIZE A	CAGE CODE 53919	DRAWN BY K.DANG	ITEM NO. PE1017-3	REV A