

6

5

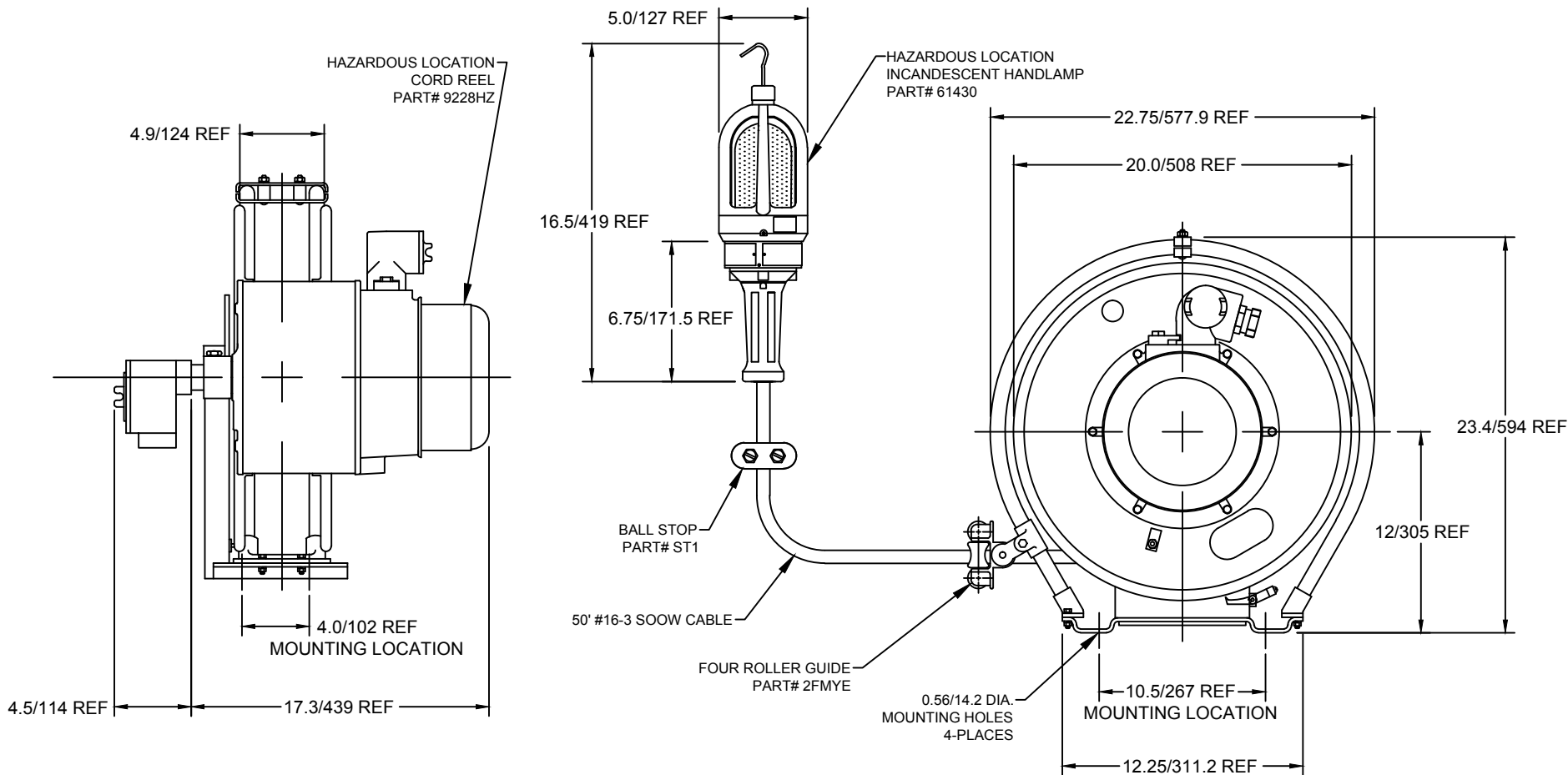
4

3

2

1

MATERIAL#	ENGR#
1300851067	V320376000



RELEASE SALES DRAWING EC NO: IPC2013-1830 DRWN: HRUIZ01 2013/05/28 CHKD: HKNEELAN APPR: JFMURPHY 2013/06/24	DESCRIPTION REV	QUALITY SYMBOLS	GENERAL TOLERANCES (UNLESS SPECIFIED)		DIMENSION STYLE INCH/MM		SCALE NTS	DESIGN UNITS INCH	THIRD ANGLE PROJECTION		
		$\nabla = 0$ $\nabla C = 0$	4 PLACES	mm	INCH	DRAWN BY	DATE	TITLE 9228HZ CORD REEL W/ 50' #16-3 SOOW CORD 61430 HAZ HANDLAMP			
			3 PLACES	±---	±---	HRUIZ01	2013/05/28				
			2 PLACES	±.13	±.010	CHECKED BY	DATE	MOLEX INCORPORATED			
1 PLACE	±.25	±.020	HKNEELAN	2013/05/31							
ANGULAR ±1/2°			DRAFT WHERE APPLICABLE MUST REMAIN WITHIN DIMENSIONS		APPROVED BY	DATE	MATERIAL NO.	DOCUMENT NO.	SHEET NO.		
A					JFMURPHY	2013/06/24	1300851067	SD-130085-007	1 OF 1		
					THIS DRAWING CONTAINS INFORMATION THAT IS PROPRIETARY TO MOLEX INCORPORATED AND SHOULD NOT BE USED WITHOUT WRITTEN PERMISSION						

6

5

4

3

2

1

E

E

D

D

C

C

B

B

A

A