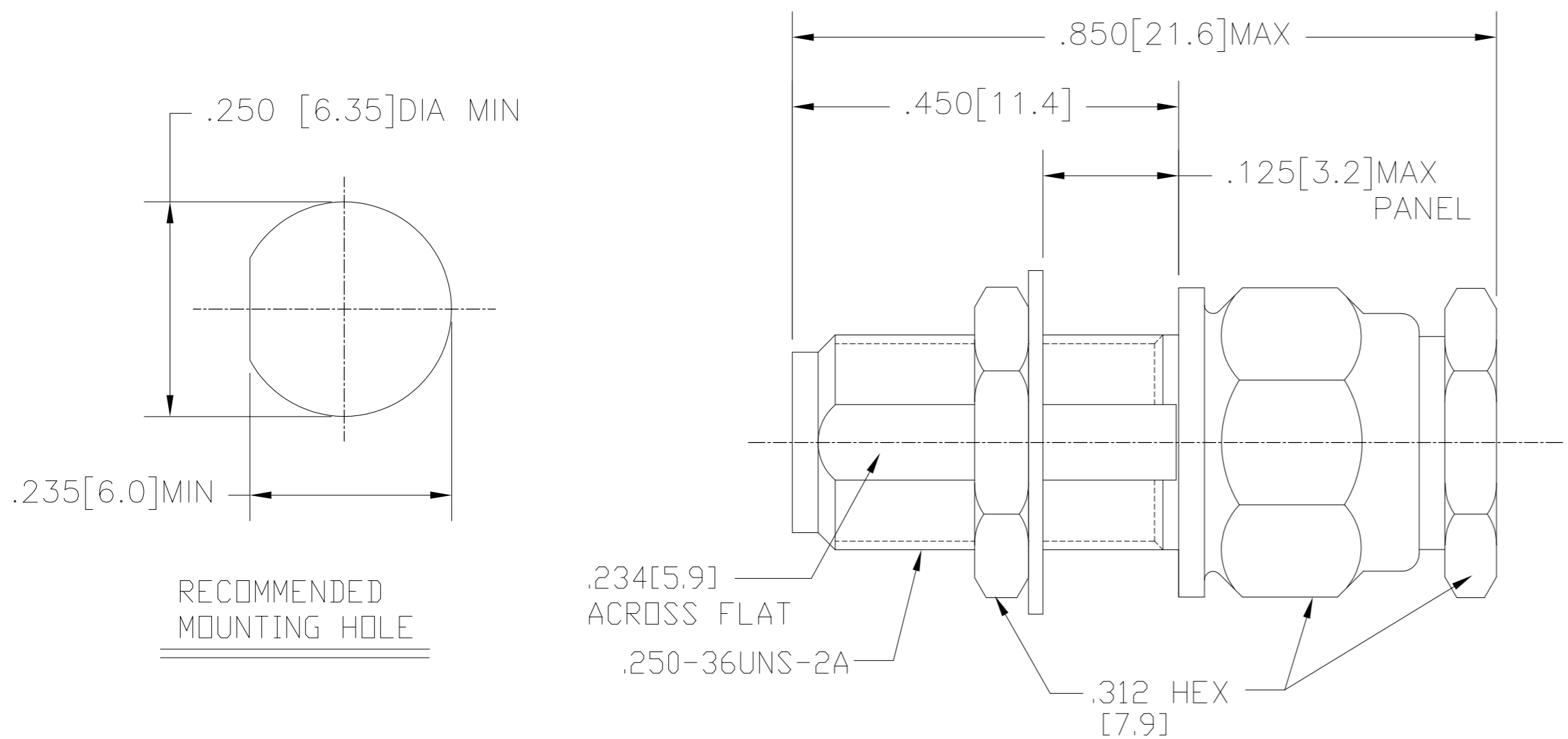


THIS DRAWING IS UNPUBLISHED. RELEASED FOR PUBLICATION
 © COPYRIGHT BY TYCO ELECTRONICS CORPORATION. ALL RIGHTS RESERVED.

LOC		DIST		REVISIONS					
AJ		00		P	LTR	DESCRIPTION	DATE	DWN	APVD
				B		REV PER ECO-09-013650	-	ANS	BOB



NOTES:
 1. CAPTURED CENTER CONTACT
 2. DESIGNED FOR USE WITH RG-195/U OR OTHER CABLES HAVING SIMILAR COMPONENT DIAMETERS

- ① BRASS
- ② STAINLESS STEEL
- ③ BERYLLIUM COPPER
- ④ PHOSPHOR BRONZE
- ⑤ PTFE
- ⑥ SILICONE RUBBER
- ⑦ GOLD PLATE
- ⑧ NICKEL PLATE
- ⑨ PASSIVATE
- ⑩ WHITE BRONZE PLATE

ELECTRICAL	MECHANICAL	ENVIRONMENTAL
Nominal Impedance (Ohms) 50	Interface Dimensions MIL-STD-348A, Fig. 310.1	TEMPERATURE RATING -40° TO +95° DURABILITY:500 CYCLES
Frequency Range (GHz) DC to 6	Recommended Mating Torque 7-10 In-Lbs	
Volt Rating (VRMS MAX) @ Sea Level 250	Mating Characteristics:	.XXX = in XX.X = mm
VSWR 1.18 + .02f(GHz)	Insertion (MAX Lbs) N/A	
Insertion Loss (dB MAX) .07 √f GHz	Withdrawal (MIN Oz) N/A	
Dielectric Withstanding Voltage (VRMS MIN) @ Sea Level 750	Force to Engage and Disengage (In-Lbs MAX) 2	
Contact Resistance (Milliohms MAX)	Center Contact Captivation	
Center Contact 5.0	Axial (Lbs) 6 Min	
Outer Contact 3.0	Radial (In-Oz) N/A	
Cable to Housing 0.5	Cable Retention	
RF High Potential @ Sea Level (VRMS MIN @ 5 MHz) 500	Axial Force (Lbs) 20 MIN	
I.R.(Megohms MIN) 5,000	Torque (In-Oz) N/A	
	Weight (Grams) TBD	

① ⑧	① ⑧	③ ⑦	⑤	① ⑧	④ ⑧	① ⑩	1050999-3
② ⑦	① ⑦	③ ⑦	⑤	② ⑦	② ⑦	② ⑦	1050999-1
CLAMP NUT	COLLAR	CENTER CONTACT	DIELECTRIC	HOUSING	LOCK WASHER	MOUNTING NUT	TE PN.

THIS DRAWING IS A CONTROLLED DOCUMENT.

DWN ANSON MA 2Jul09	Tyco Electronics Corporation Kunshan, Jiangsu, RPC 215312
CHK RITA ZUO 2Jul09	
APVD BOB_ZHAO 2Jul09	
PRODUCT SPEC	
APPLICATION SPEC	NAME OSM STRAIGHT CABLE(RG-195/U) JACK CLAMP ATTACHMENT
408-4938	SIZE A2 CAGE CODE 00779 DRAWING NO C=1050999 RESTRICTED TO
WEIGHT -	SCALE 5:1 SHEET 1 of 1 REV B
CUSTOMER DRAWING	