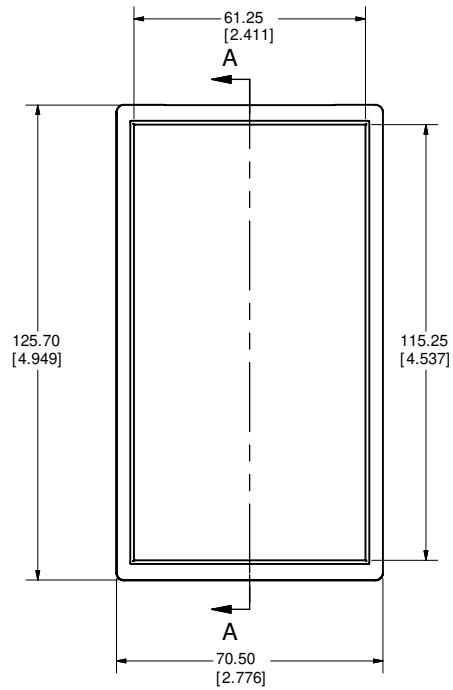
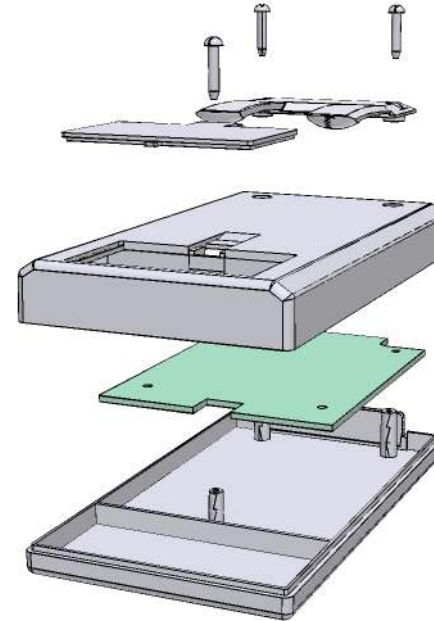
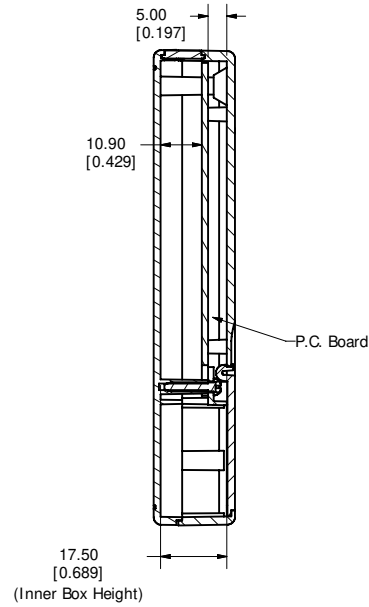


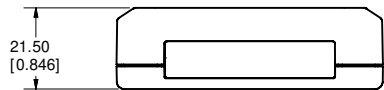
### Top View of Assembly



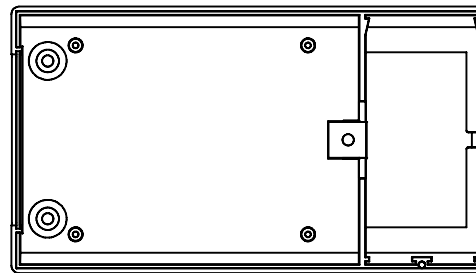
### SECTION A-A (Side Inside Assembly)



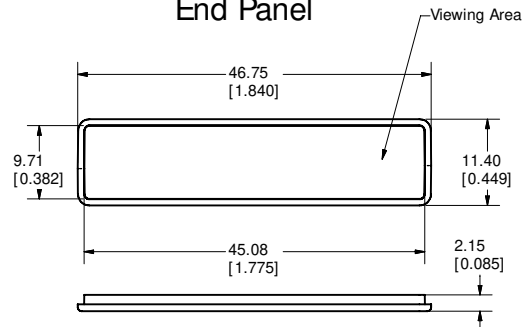
### End View of Assembly



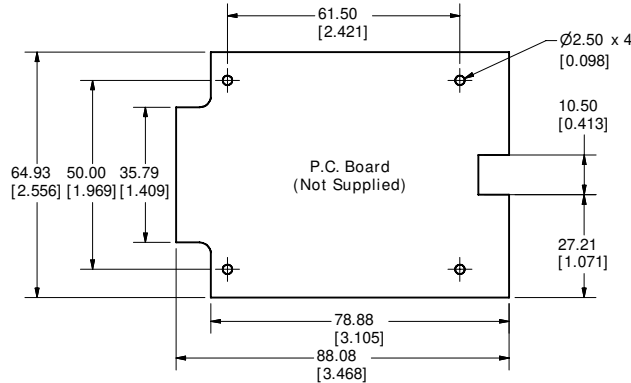
### Inside Bottom Cover



### End Panel



### Maximum P.C. Board Size



# Large Clipper Enclosure

NOTE		
Clip and PC Board not included		
PART NUMBERS		
Clipper Enclosure		
Black Enclosure RAL 9018	001106	
Grey Enclosure RAL 7035	001117	
INCLUDES		
#	Description	Material
1	Enclosure	FR ABS-UL94-V0
1	End Panel	FR ABS-UL94-V0
3	Cover Screws #2x1/2 Pan Head	
ACCESSORIES		
Black Pocket Clip		001151
Grey Pocket Clip		001152
Infra Red Panel		001153



www.hammondmfg.com