

MICRO SWITCH

FREEPORT ILLINOIS, U.S.A
A DIVISION OF HONEYWELL
FED. MFG. CODE 91829

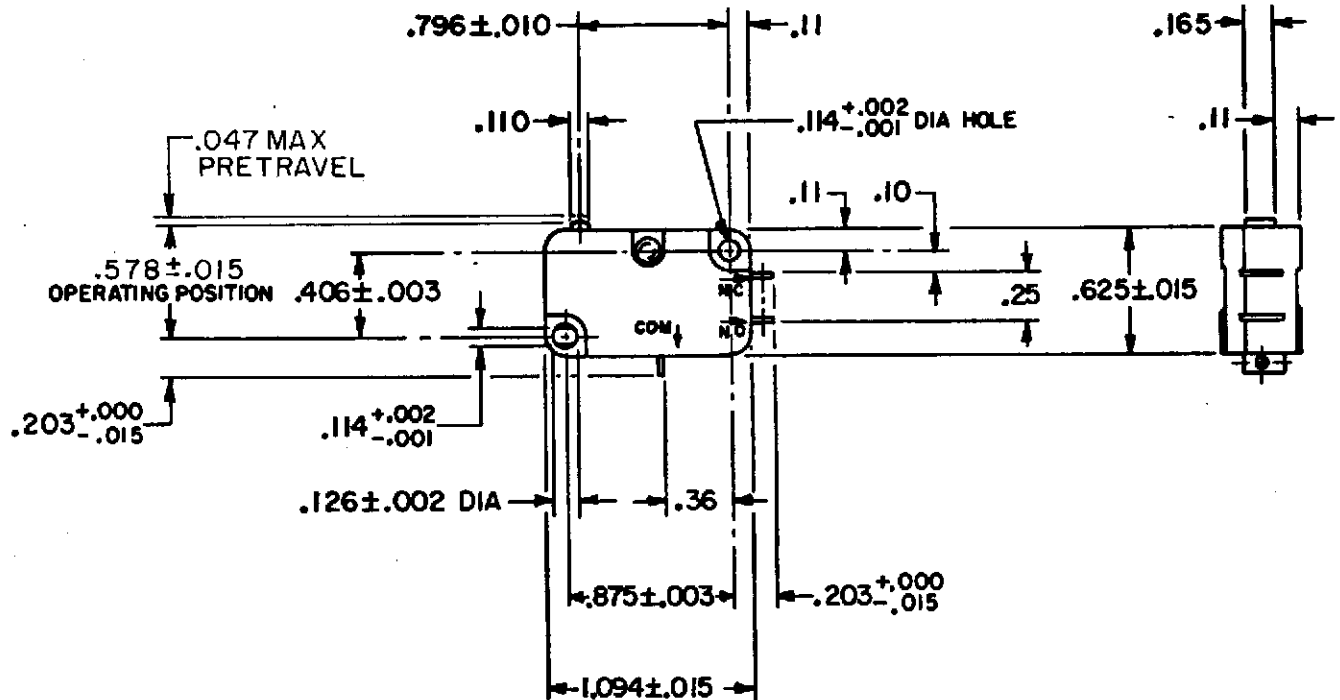
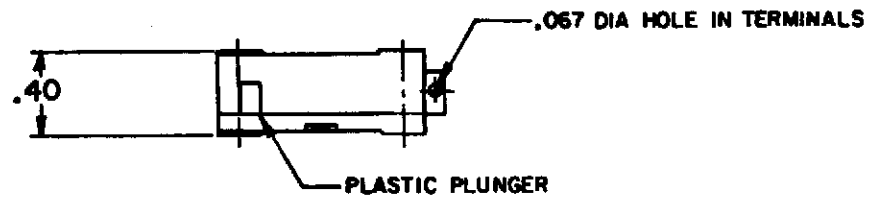
SWITCH - BASIC

CATALOG LISTING

V3-1078

CK-L7800

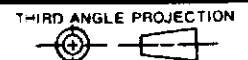
V3-1078
 PAGE 1 OF 1
 M
 DRAWING NUMBER
 ISSUE 7
 REVISIONS
 A PR10089 04 JUN 04
 TSK 13 APR 81
 CO 58921
 SMA 29 SEPT 88
 C CO76103
 L J F 5 OCT 93
 D CO 77116
 DCS 18 APR 94
 E CO-93311
 TSM 15 OCT 98
 D 0005782
 R J 04 JUN 04
 FORMTEK
 DRAWN
 TSK 13 APR 81 CHECKED BY A ANDREW
 CHECK AK
 RELEASE NO. PR 10089
 REPLACES



NOTES

- 1 - TERMINALS ARE PLATED FOR SOLDERING
- 2 - IN INSPECTION, DO NOT BURN OUT - GOLD CONTACTS
- 3 - IN INSPECTION, DO NOT EXCEED 10 VDC, .1A RESISTIVE LOAD
- 4 - INSPECT SWITCH RESISTANCE PER CONTROL PLAN

THIS DRAWING COVERS A PROPRIETARY ITEM AND IS THE PROPERTY OF MICRO SWITCH, A DIVISION OF HONEYWELL. THIS DRAWING IS NOT TO BE COPIED OR USED WITHOUT THE APPROVAL OF MICRO SWITCH.



CHARACTERISTICS

OPERATING FORCE - - - - - 6-14 OZ
 RELEASE TRAVEL - - - - - .007 MIN
 RELEASE FORCE - - - - - 4 OZ MIN
 DIFFERENTIAL TRAVEL - - - .006 - .016
 OVERTRAVEL .040 MIN
 FREE POSITION - - - - - .625 MAX

ELECTRICAL DATA

CONTACT ARRANGEMENT
S P D T

L22
1A-125 VAC



SCALE FULL

DO NOT SCALE PRINT

TOLERANCES
APPLY TO DESIGN UNITS. CONVERSIONS ARE ONLY FOR REFERENCE. UNLESS NOTED, TOLERANCES ARE ±

	DIM. mm	TOL. mm/in	DIM. in	TOL. mm/in
NO PLACES	X	±.04	X.2	0.0100
ONE PLACE	X.2	0.4/0.10	X.2	0.38/0.10
TWO PLACES	X.22	0.16/0.05	X.22	0.12/0.05
THREE PLACES	X.222	X.222	X.222	X.222
ANGLES				

DESIGN UNITS METRIC US CUSTOMARY

WEIGHT .015 LB