

# SACC-DSI-MS-4CON-M16-L180 PP - Device connector, rear mounting



1108002

<https://www.phoenixcontact.com/pc/products/1108002>

Please be informed that the data shown in this PDF document is generated from our online catalog. Please find the complete data in the user documentation. Our general terms of use for downloads are valid.



Sensor/actuator panel-mount connector, 4-pos., M12 push-pull, rear/screw mounting with M16 thread, with 0.50 m litz wire, 4x 0.34 mm<sup>2</sup>

## Your advantages

- Established M12 standard for secure transmission of signals, data, and power
- Easy and quick cabling of devices and systems in hard-to-reach areas
- Manufacturer-independent M12 push-pull locking system for maximum availability

## Commercial data

Item number	1108002
Packing unit	20 pc
Minimum order quantity	20 pc
Product key	ABQECJ
GTIN	4063151011482
Weight per piece (including packing)	17.29 g
Weight per piece (excluding packing)	17.29 g
Customs tariff number	85366990
Country of origin	DE

# SACC-DSI-MS-4CON-M16-L180 PP - Device connector, rear mounting



1108002

<https://www.phoenixcontact.com/pc/products/1108002>

## Technical data

### Notes

General	The electrical and mechanical data specified assume that the connector pair is correctly locked and mounted. If the connector is unlocked and if there is a danger of contamination, the connector must be sealed using a protective cap > IP54. Influences arising from litz wires, cables or PCB assembly must also be taken into consideration.
General	Lock nut is included in the scope of delivery

### Mounting

Mounting type	Rear mounting M16 x 1.5 With flat nut
Assembly instructions	With flat nut
Connection method	Individual wires

### Product properties

Product type	Circular connectors (device side)
Sensor type	Universal
Number of positions	4
No. of cable outlets	1
Shielded	no
Coding	A

### Insulation characteristics

Overvoltage category	II
Degree of pollution	3

### Material specifications

Material	Brass, nickel-plated
Flammability rating according to UL 94	V0
Seal material	NBR/FKM
Material of grip body	Brass, nickel-plated
Contact material	CuZn
Contact surface material	Au
Contact carrier material	PA 6.6
Material for screw connection	Brass, nickel-plated
Conductor material	Tin-plated Cu litz wires

### Electrical properties

Rated surge voltage	2.5 kV
Contact resistance	≤ 3 mΩ
Insulation resistance	≥ 100 MΩ
Nominal voltage U <sub>N</sub>	250 V

# SACC-DSI-MS-4CON-M16-L180 PP - Device connector, rear mounting



1108002

<https://www.phoenixcontact.com/pc/products/1108002>

Nominal current $I_N$	4 A
Max. conductor resistance	57.6 m $\Omega$ /m

## Connection data

### Conductor connection

Connection method	Individual wires
Tightening torque	3 Nm
	4 Nm

## Mechanical properties

### Mechanical data

Insertion/withdrawal cycles	> 100
-----------------------------	-------

## Connector

### Connection 1

Head design	Plug
Head cable outlet	straight
Head thread type	M12
Head locking type	Push-Pull
Coding	A

## Cable/line

Cable length	0.5 m
Cable type	TPE litz wire
Signal type/category	Universal
Wire diameter incl. insulation	1.2 mm $\pm$ 0.07 mm
Single wire, color	brown, white, blue, black
Conductor material	Tin-plated Cu litz wires
Conductor structure signal line	7x 0.25 mm
AWG signal line	22
Thickness, insulation	0.21 mm
Nominal voltage, cable	300 V
Test voltage, cable	2000 V AC
Cable resistance	$\leq$ 57.6 m $\Omega$ /m
Cable insulation resistance	$\geq$ 20 M $\Omega$ *km
Ambient temperature (operation)	-40 °C ... 85 °C (cable, fixed installation)
	-25 °C ... 85 °C (Cable, flexible installation)

## Environmental and real-life conditions

### Ambient conditions

Degree of protection	IP67
----------------------	------

# SACC-DSI-MS-4CON-M16-L180 PP - Device connector, rear mounting



1108002

<https://www.phoenixcontact.com/pc/products/1108002>

	IP65/IP67
Ambient temperature (operation)	-25 °C ... 85 °C (Plug / socket)
	-40 °C ... 85 °C (without mechanical actuation)
	-25 °C ... 85 °C (Cable, flexible installation)
	-40 °C ... 85 °C (cable, fixed installation)

## Standards and regulations

M12

Standard designation	M12 connector
Standards/specifications	IEC 61076-2-010

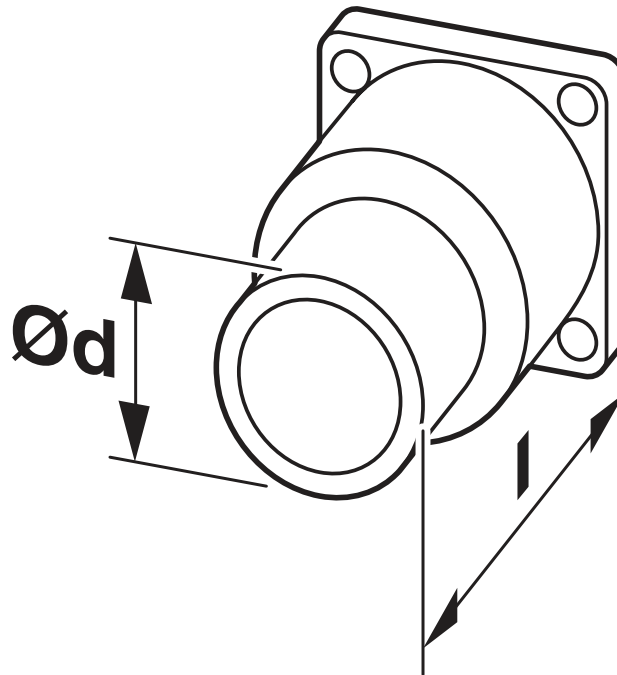
# SACC-DSI-MS-4CON-M16-L180 PP - Device connector, rear mounting

1108002

<https://www.phoenixcontact.com/pc/products/1108002>

## Drawings

Dimensional drawing



Technical drawings can be found under Downloads

# SACC-DSI-MS-4CON-M16-L180 PP - Device connector, rear mounting



1108002

<https://www.phoenixcontact.com/pc/products/1108002>

## Classifications

### ECLASS

ECLASS-11.0	27440103
ECLASS-12.0	27440103
ECLASS-13.0	27440103

### ETIM

ETIM 8.0	EC003570
----------	----------

### UNSPSC

UNSPSC 21.0	39121400
-------------	----------

# SACC-DSI-MS-4CON-M16-L180 PP - Device connector, rear mounting



1108002

<https://www.phoenixcontact.com/pc/products/1108002>

## Environmental product compliance

China RoHS	Environmentally friendly use period: unlimited = EFUP-e
	No hazardous substances above threshold values

Phoenix Contact 2023 © - all rights reserved  
<https://www.phoenixcontact.com>

PHOENIX CONTACT GmbH & Co. KG  
Flachsmarktstraße 8  
D-32825 Blomberg  
+49 (0) 5235-3 00  
[info@phoenixcontact.com](mailto:info@phoenixcontact.com)