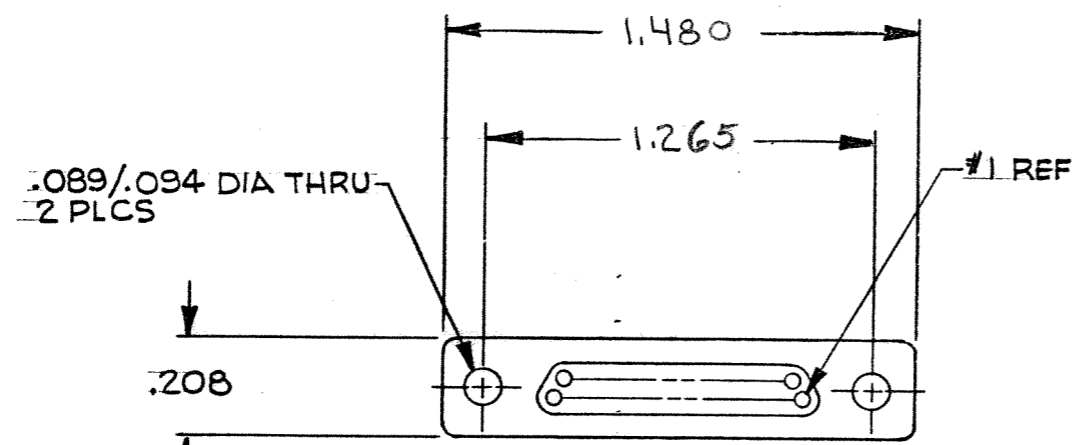
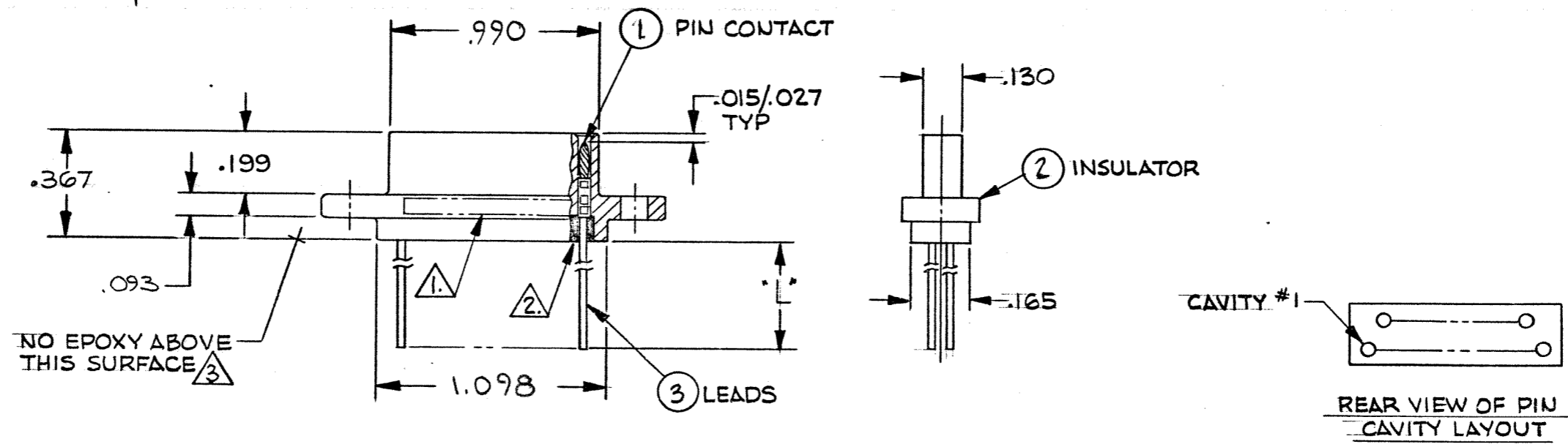


REVISIONS					
ZONE	LTR	ECO	DESCRIPTION	DATE	APPROVED
	A	19891	RELEASED 7-8-75 MD	9-10-75	[Signature]
	B	22363	DIMS: IS: .367 WAS: .385 IS: .130 WAS: .130 NOTE 4: WAS: CONTACT PER DWG. 096-0000-0024	8-5-77	[Signature]
	C	31066	DIM IS: 1.265 WAS: 1.270	1/27/88	[Signature]

D



C



B

NOTES:

- ① MARK "MALCO" OR MALCO LOGO, PART NO. & DATE CODE WITH .047 MIN. HIGH CHARACTERS IN APPROX LOCATION SHOWN
- ② EPOXY AS SHOWN WITH HYSOL #4215 AND #3561
- ③ EPOXY WICKING FROM THE REAR OF THE INSULATOR ON INSULATED LEADS MUST NOT EXCEED .125 MAX ON #25 AWG AND SMALLER LEADS AND .200 MAX ON #24 AWG AND LARGER LEADS
- ④ CRIMP LEADS INTO CONTACTS PER MEP 302-05

Tyco Dwg 3-1532143-6
Micro P/N 095-0000-0324

A

QTY REQD	CODE IDENT	PART OR IDENTIFYING NO.	NOMENCLATURE OR DESCRIPTION
PARTS LIST			
UNLESS OTHERWISE SPECIFIED DIMENSIONS ARE IN INCHES TOLERANCES ARE: FRACTIONS DECIMALS ANGLES ± 1/64 .XX ± .01 ± 0° 30'		CONTRACT NO.	
MATERIAL		APPROVALS	DATE
FINISH		CHECKED	
NEXT ASSY		PR/ENG.	
USED ON		APPD.	
APPLICATION		MALCO A MICRODOT COMPANY, INC. 220 PASADENA AVE., SO. PASADENA, CALIF. 91030 RACK AND PANEL CONN. MCDG3-37P SCREW MOUNTING PROD. CODE 824 CODE M	
DO NOT SCALE DRAWING		SIZE	CODE IDENT NO. DRAWING NO.
		B	98278 095-0000-0324
		SCALE	SHEET 1 OF 1
		NONE	