

EVEN CIRCUIT, FWE ODD CIRCUIT, FWE

AUXILIARY VIEWS  
SCALE 1:1

- NOTES:
1. MATERIAL: SEE TABLE
  2. FINISHES: SEE TABLE
  3. PRODUCT SPECIFICATION: NOT REQUIRED
  4. PACKAGING: NOT REQUIRED
  5. MATES WITH: MOST 5.08 (.200) PIN HEADERS
  6. "XX" REFERS TO THE QUANTITY OF CIRCUITS
  7. ROHS COMPLIANT

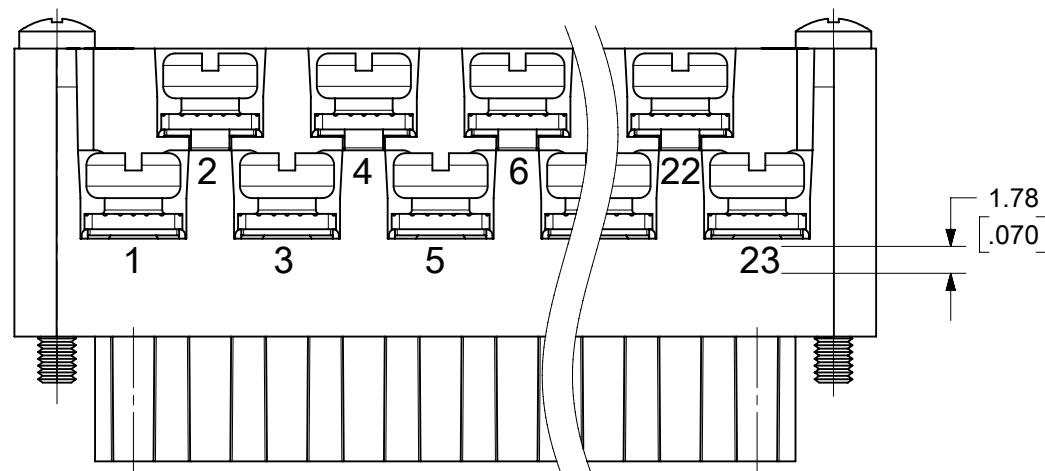
ODD CIRCUIT CONFIGURATION SHOWN

| ITEM | QTY.<br>(EVEN NO. OF<br>CIRCUITS) | QTY.<br>(ODD NO. OF<br>CIRCUITS) | DESCRIPTION                    | MATERIAL      | FINISH         |
|------|-----------------------------------|----------------------------------|--------------------------------|---------------|----------------|
| 8    | 2                                 | 2                                | SCREW, MOUNTING, M2.5 X .450   | STEEL         | ZINC CHROMATE  |
| 7    | XX                                | XX                               | SCREW, M3.5 X .280             | STEEL         | ZINC CHROMATE  |
| 6    | XX                                | XX                               | NUT, M3.5, HEX                 | STEEL         | ZINC CHROMATE  |
| 5    | XX/2                              | (XX-1)/2                         | REAR ROW TERMINAL (-G30 OPT.)  | PHOS. BRONZE  | SELECTIVE GOLD |
| 4    | XX/2                              | (XX+1)/2                         | FRONT ROW TERMINAL (-G30 OPT.) | PHOS. BRONZE  | SELECTIVE GOLD |
| 3    | XX/2                              | (XX-1)/2                         | REAR ROW TERMINAL              | PHOS. BRONZE  | HOT TIN DIP    |
| 2    | XX/2                              | (XX+1)/2                         | FRONT ROW TERMINAL             | PHOS. BRONZE  | HOT TIN DIP    |
| 1    | 1                                 | 1                                | BARRIER                        | THERMOPLASTIC | BLACK          |

THIS DRAWING CONTAINS INFORMATION THAT IS PROPRIETARY TO MOLEX ELECTRONIC TECHNOLOGIES, LLC AND SHOULD NOT BE USED WITHOUT WRITTEN PERMISSION

|  |                                       |             |  |  |                |              |
|--|---------------------------------------|-------------|--|--|----------------|--------------|
| FUNCTIONAL SYMBOLS                                   | DIMENSION UNITS                       | SCALE       | CURRENT REV DESC: MIGRATED TO ECTR/NX. REMOVED "US PATENT" TEXT FROM MODEL | <b>molex</b>                                     |                |              |
| $\frac{F}{A} = 0$                                    | MM/INCH                               | 2:1         |  |  |                |              |
| $\frac{E}{E} = 0$                                    | GENERAL TOLERANCES (UNLESS SPECIFIED) |             |  | 5.08/.200 PLUG ASSY, FWE WITH STD. MOUNTING ENDS |                |              |
| $\frac{E}{D} = 0$                                    |                                       | MM          | INCH   | EC NO: 677615                                    |                |              |
|  |                                       | 4 PLACES    | ± .005   | DRWN: ABENJAMINLW 2021/08/18                     |                |              |
|  |                                       | 3 PLACES    | ± .005   | CHK'D: DACHAMMER 2021/09/09                      |                |              |
| DIVISIONAL SYMBOLS                                   |                                       | 2 PLACES    | ± 0.13 ± .01   | APPR: JFMURPHY 2022/01/04                        |                |              |
|  |                                       | 1 PLACE     | ± 0.3 ± .01  | INITIAL REVISION:                                |                |              |
|  |                                       | 0 PLACES    | ± .01 ± .01  | DRWN: CYORK 2004/03/18                           |                |              |
|  |                                       | ANGULAR TOL | ± 2°   | APPR: grobertson 2004/03/19                      |                |              |
| DRAFT WHERE APPLICABLE MUST REMAIN WITHIN DIMENSIONS |                                       |             |  | THIRD ANGLE PROJECTION                           | DRAWING        | SHEET NUMBER |
|  |                                       |             |  |  | B-SIZE         | 39940        |
|  |                                       |             |  | MATERIAL NUMBER                                  | CUSTOMER       | SHEET NUMBER |
|  |                                       |             |  | SEE SHEET-2                                      | GENERAL MARKET | 1 OF 2       |

| NO. OF CIRC. "XX" | DIM. "A" |        | DIM. "B" |         | DIM. "C" |         | DIM. "D" $\begin{matrix} +.00 \\ -.25 \end{matrix} \begin{matrix} [+ .000 \\ - .010 \end{matrix}$ |        | MATERIAL NO. (STANDARD) | MATERIAL NO. (-G30 OPT.) | MATERIAL NO. (-10A OPT.) |
|-------------------|----------|--------|----------|---------|----------|---------|---|--------|-------------------------|--------------------------|--------------------------|
|                   | mm       | IN     | mm       | IN      | mm       | IN      | mm  | IN     |                         |                          |                          |
| 03                | 25.9     | [1.02] | 10.16    | [.400]  | 20.32    | [.800]  | 15.2  | [.60]  | 399400503               | 399410503                | 399490026                |
| 04                | 31.0     | [1.22] | 15.24    | [.600]  | 25.40    | [1.000] | 20.3  | [.80]  | 399400504               | 399410504                |                          |
| 05                | 36.1     | [1.42] | 20.32    | [.800]  | 30.48    | [1.200] | 25.4  | [1.00] | 399400505               | 399410505                |                          |
| 06                | 41.1     | [1.62] | 25.40    | [1.000] | 35.56    | [1.400] | 30.5  | [1.20] | 399400506               | 399410506                |                          |
| 07                | 46.2     | [1.82] | 30.48    | [1.200] | 40.64    | [1.600] | 35.6  | [1.40] | 399400507               | 399410507                |                          |
| 08                | 51.3     | [2.02] | 35.56    | [1.400] | 45.72    | [1.800] | 40.6  | [1.60] | 399400508               | 399410508                |                          |
| 09                | 56.4     | [2.22] | 40.64    | [1.600] | 50.80    | [2.000] | 45.7  | [1.80] | 399400509               | 399410509                |                          |
| 10                | 61.5     | [2.42] | 45.72    | [1.800] | 55.88    | [2.200] | 50.8  | [2.00] | 399400510               | 399410510                |                          |
| 11                | 66.5     | [2.62] | 50.80    | [2.000] | 60.96    | [2.400] | 55.9  | [2.20] | 399400511               | 399410511                |                          |
| 12                | 71.6     | [2.82] | 55.88    | [2.200] | 66.04    | [2.600] | 61.0  | [2.40] | 399400512               | 399410512                |                          |
| 13                | 76.7     | [3.02] | 60.96    | [2.400] | 71.12    | [2.800] | 66.0  | [2.60] | 399400513               | 399410513                |                          |
| 14                | 81.8     | [3.22] | 66.04    | [2.600] | 76.20    | [3.000] | 71.1  | [2.80] | 399400514               | 399410514                | 399490015                |
| 15                | 86.9     | [3.42] | 71.12    | [2.800] | 81.28    | [3.200] | 76.2  | [3.00] | 399400515               | 399410515                |                          |
| 16                | 91.9     | [3.62] | 76.20    | [3.000] | 86.36    | [3.400] | 81.3  | [3.20] | 399400516               | 399410516                | 399490027                |
| 17                | 97.0     | [3.82] | 81.28    | [3.200] | 91.44    | [3.600] | 86.4  | [3.40] | 399400517               | 399410517                |                          |
| 18                | 102.1    | [4.02] | 86.36    | [3.400] | 96.52    | [3.800] | 91.4  | [3.60] | 399400518               | 399410518                | 399490028                |
| 19                | 107.2    | [4.22] | 91.44    | [3.600] | 101.60   | [4.000] | 96.5  | [3.80] | 399400519               | 399410519                |                          |
| 20                | 112.3    | [4.42] | 96.52    | [3.800] | 106.68   | [4.200] | 101.6   | [4.00] | 399400520               | 399410520                |                          |
| 21                | 117.3    | [4.62] | 101.60   | [4.000] | 111.76   | [4.400] | 106.7   | [4.20] | 399400521               | 399410521                |                          |
| 22                | 122.4    | [4.82] | 106.68   | [4.200] | 116.84   | [4.600] | 111.8   | [4.40] | 399400522               | 399410522                |                          |
| 23                | 127.5    | [5.02] | 111.76   | [4.400] | 121.92   | [4.800] | 116.8   | [4.60] | 399400523               | 399410523                |                          |
| 24                | 132.6    | [5.22] | 116.84   | [4.600] | 127.00   | [5.000] | 121.9   | [4.80] | 399400524               | 399410524                |                          |



OPTIONAL  
10A IMPRINTING  
(ODD CIRCUIT CONFIGURATION SHOWN)

|   |                                       |   |                        |      |   |  |                 |                |  |              |  |
|---|---------------------------------------|---|------------------------|------|---|--|-----------------|----------------|--|--------------|--|
| THIS DRAWING CONTAINS INFORMATION THAT IS PROPRIETARY TO MOLEX ELECTRONIC TECHNOLOGIES, LLC AND SHOULD NOT BE USED WITHOUT WRITTEN PERMISSION |                                       |   |                        |      |   |  |                 |                |  |              |  |
| FUNCTIONAL SYMBOLS  | DIMENSION UNITS                       |   | SCALE                  |      | CURRENT REV DESC: MIGRATED TO ECTR/NX. REMOVED "US PATENT" TEXT FROM MODEL  |  |                 |                |  |              |  |
| $\nabla_A = 0$  | MM/INCH                               |   | 2:1                    |      | <b>molex</b><br><br>5.08/.200 PLUG ASSY, FWE WITH STD. MOUNTING ENDS<br><br>PRODUCT CUSTOMER DRAWING<br><br>EC NO: 677615<br>DRWN: ABENJAMINLW 2021/08/18<br>CHK'D: DACHAMMER 2021/09/09<br>APPR: JFMURPHY 2022/01/04<br>INITIAL REVISION:<br>DRWN: CYORK 2004/03/18<br>APPR: grobertson 2004/03/19 |  |                 |                |  |              |  |
| $\nabla_E = 0$  | GENERAL TOLERANCES (UNLESS SPECIFIED) |   |                        |      |   |  |                 |                |  |              |  |
| $\nabla_F = 0$  |                                       |   | MM                     | INCH |   |  |                 |                |  |              |  |
| DIVISIONAL SYMBOLS  | 4 PLACES                              | ± | ---                    | ±    |   |  |                 |                |  |              |  |
|   | 3 PLACES                              | ± | ---                    | ±    | .005  |  |                 |                |  |              |  |
|   | 2 PLACES                              | ± | 0.13                   | ±    | .01   |  |                 |                |  |              |  |
|   | 1 PLACE                               | ± | 0.3                    | ±    | ---   |  |                 |                |  |              |  |
|   | 0 PLACES                              | ± | ---                    | ±    | ---   |  |                 |                |  |              |  |
|   | ANGULAR TOL                           |   | ± 2°                   |      |   | DOCUMENT NUMBER: SD-39940-003<br>DOC TYPE: PSD<br>DOC PART: 001<br>REVISION: G |                 |                |  |              |  |
| DRAFT WHERE APPLICABLE MUST REMAIN WITHIN DIMENSIONS  |                                       |   | THIRD ANGLE PROJECTION |      | DRAWING   | SERIES   | MATERIAL NUMBER | CUSTOMER       |  | SHEET NUMBER |  |
|   |                                       |   |                        |      | B-SIZE  | 39940  | SEE CHART       | GENERAL MARKET |  | 2 OF 2       |  |