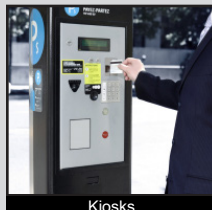


# PMV6 SERIES ANTI-VANDAL SWITCH

ANTI-VANDAL SWITCHES  
 DETECTOR SWITCHES  
 DIP SWITCHES  
 KEYLOCK SWITCHES  
 NAVIGATION SWITCHES  
 PUSHBUTTON SWITCHES  
 ROCKER SWITCHES  
 ROTARY SWITCHES  
 SLIDE SWITCHES  
 SNAP ACTION SWITCHES  
 TACTILE SWITCHES  
 TOGGLE SWITCHES  
 CAP OPTIONS



## APPLICATIONS / MARKETS



**RoHS**

## SPECIFICATIONS

**Electrical Rating:** 2A, 24VDC  
**Electrical Life:** 10,000 Cycles  
**Contact Resistance:** 100mΩ Max. @1A/12VDC(Initial Value)  
**Insulation Resistance:** 100 MΩ Min. @ 500VDC  
**Dielectric Strength:** 500Vrms @ sea level  
**Operating Temperature:** -20°C to 65°C  
**Travel:** 1.5mm  
**Moisture Protection:** IP67  
**Contact Arrangement:** SPST On-(On)  
                                           SPST Off-(On)  
                                           SPST On-(Off)  
**Actuation Force:** 7N ±2N  
**Panel Thickness:** 1-7mm  
**Mounting Nut Torque:** 0.5-1Nm Max.

## FEATURES & BENEFITS

- 16mm panel cutout
- UL3385 20AWG pre-stripped and tinned wire leads
- Multiple Cap Colors
- 10,000 Cycle Electrical Life
- Crisp tactile response
- IP67 rated

## PART NUMBER CONFIGURATOR

Series



PMV6

Actuator



D - Domed

Terminal



W - Wire leads  
500mm

Function Options



1 - SPST  
On - (On)\*  
2 - SPST  
Off - (On)\*  
3 - SPST  
On - (Off)\*

Housing



B - Black  
Nylon 6/6

Cap Colors



BLK - Black  
RED - Red  
GRN - Green  
WHT - White  
BLU - Blue  
YEL - Yellow

NOTES:

\*( ) Denotes function is momentary

Specifications subject to change without notice 2.10.2021



**E-SWITCH®**

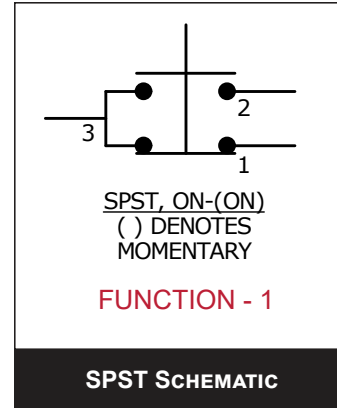
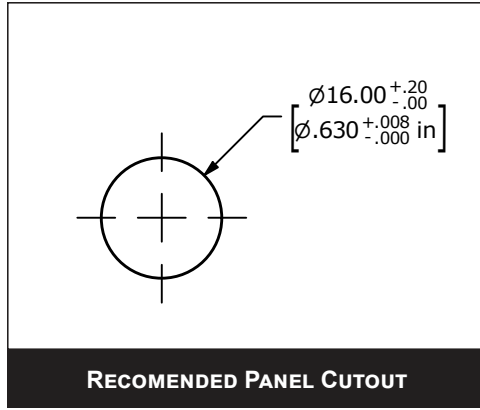
www.e-switch.com

800.867.2717

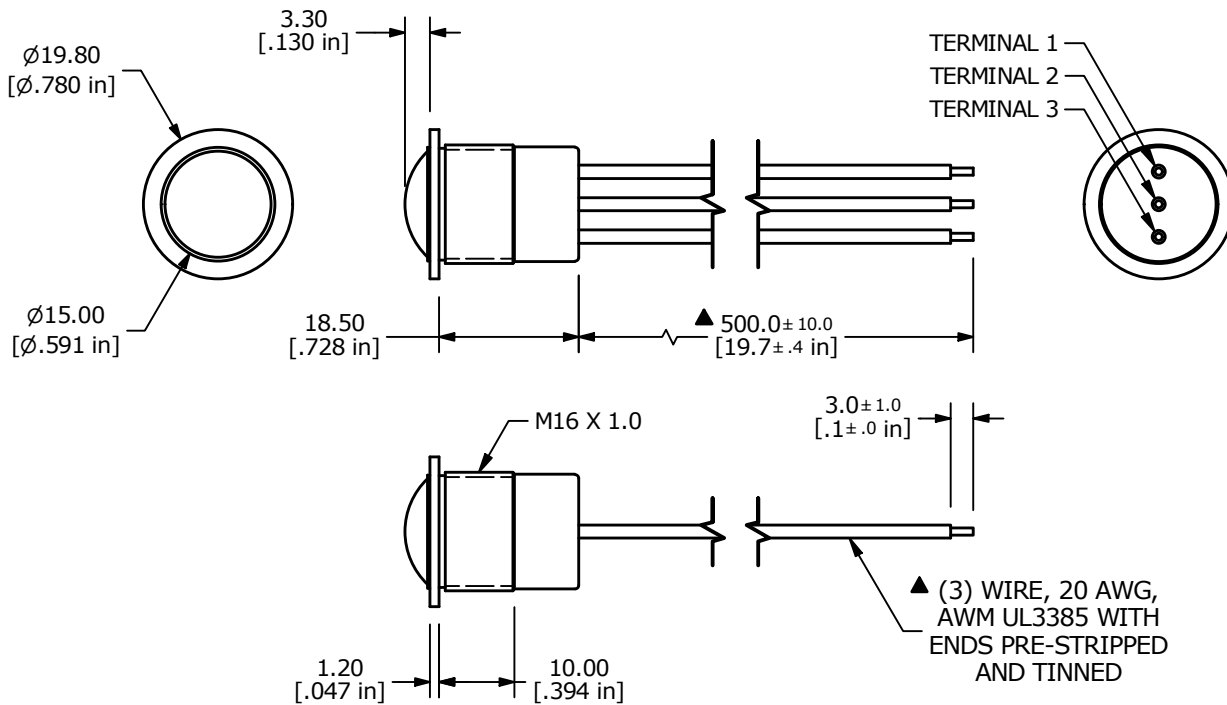
1

# PMV6 SERIES ANTI-VANDAL SWITCH

## BODY DIMENSIONS SPDT OFF-(ON)



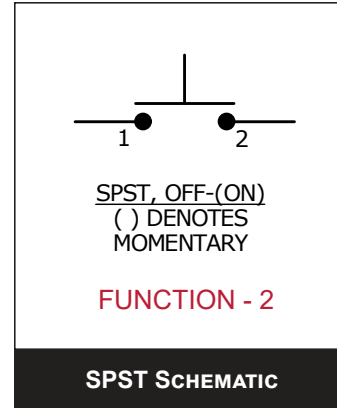
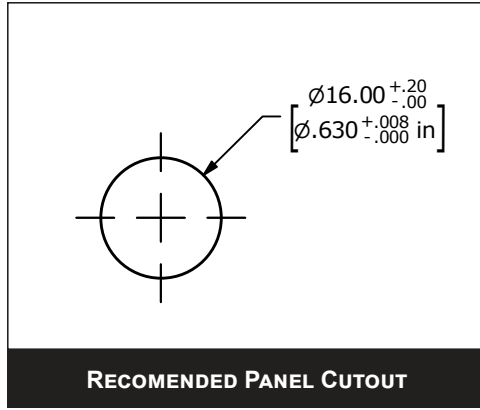
SWITCH	WIRE	LENGTH
SW1-1	WIRE, 20AWG AWM UL3385, GREEN	500.0 [19.7 in]
SW1-2	WIRE, 20AWG AWM UL3385, BLUE	500.0 [19.7 in]
SW1-3	WIRE, 20AWG AWM UL3385, BLACK	500.0 [19.7 in]



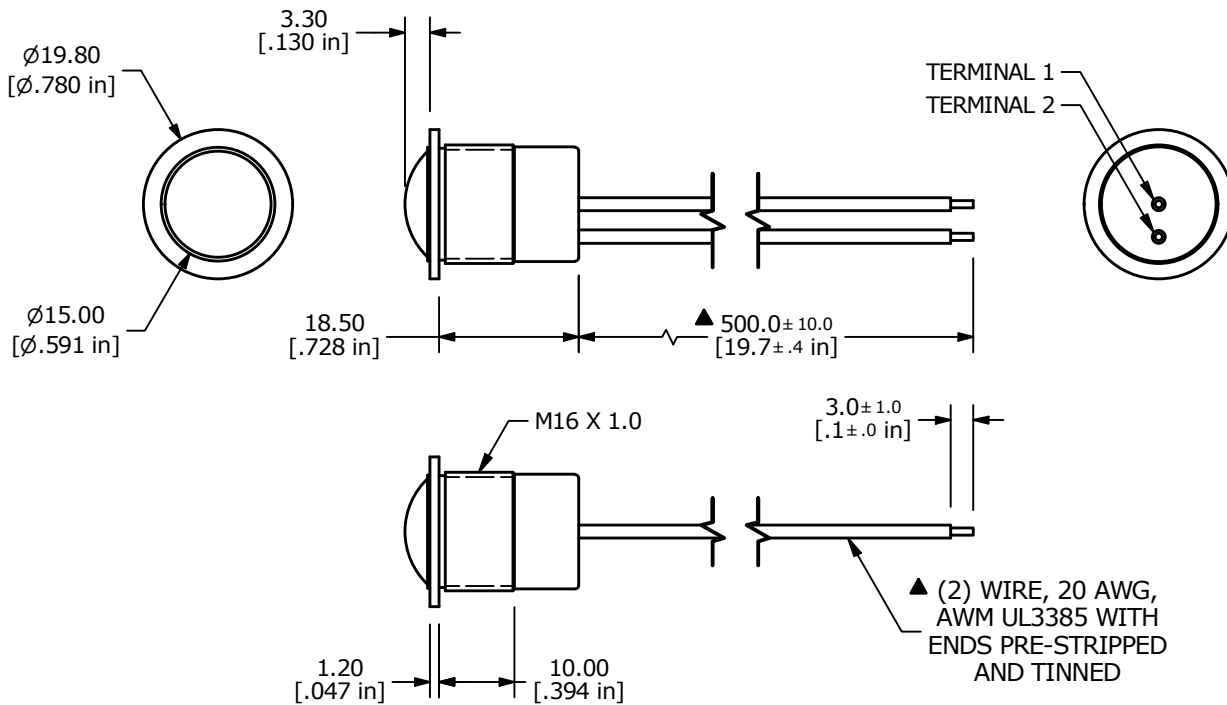
# PMV6 SERIES ANTI-VANDAL SWITCH

## BODY DIMENSIONS SPST OFF-(ON)

ANTI-VANDAL SWITCHES  
DETECTOR SWITCHES  
DIP SWITCHES  
KEYLOCK SWITCHES  
NAVIGATION SWITCHES  
PUSHBUTTON SWITCHES  
ROCKER SWITCHES  
ROTARY SWITCHES  
SLIDE SWITCHES  
SNAP ACTION SWITCHES  
TACTILE SWITCHES  
TOGGLE SWITCHES  
CAP OPTIONS

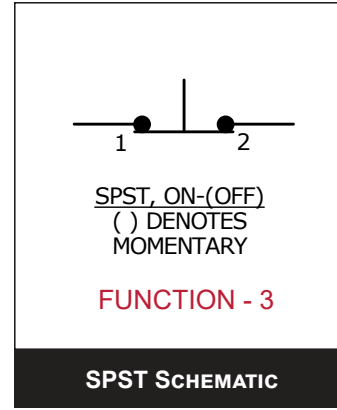
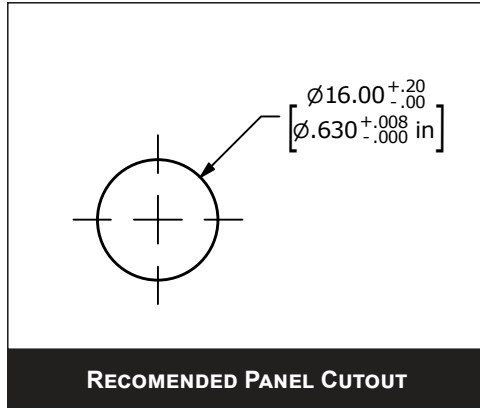


SWITCH	WIRE	LENGTH
SW1-1	WIRE, 20AWG AWM UL3385, BLACK	500.0 [19.7 in]
SW1-2	WIRE, 20AWG AWM UL3385, BLACK	500.0 [19.7 in]



# PMV6 SERIES ANTI-VANDAL SWITCH

## BODY DIMENSIONS SPST ON-(OFF)



SWITCH	WIRE	LENGTH
SW1-1	WIRE, 20AWG AWM UL3385, BLACK	500.0 [19.7 in]
SW1-2	WIRE, 20AWG AWM UL3385, BLACK	500.0 [19.7 in]

