

WIRING DIAGRAM : 16 CORE CABLE

UNTERMINATED END	16 CORE CABLE	MOLEX I/O CONNECTOR	CONDUCTOR COLOUR (REF.)
	CONDUCTOR No.	CIRCUIT No.	
	1	1	WHITE
	2	2	BROWN
	3	3	GREY
	4	4	YELLOW/BROWN
	5	5	PINK
	6	6	WHITE/YELLOW
	7	7	BLUE
	8	8	BROWN/GREEN
	9	9	RED
	10	10	GREEN/WHITE
	11	11	BLACK
	12	12	RED/BLUE
	13	13	VIOLET
	14	14	GREY/PINK
	15	15	GREEN
	16	16	YELLOW

CABLE SPECIFICATION : 16 CORE CABLE

1. CABLE TYPE: FLAT RIBBON ROUND OTHER
 SPIRAL CABLE YES NO
 NO. OF CONDUCTORS 16

2. CABLE REQUIREMENTS: N/A

3. CONDUCTOR SPECIFICATIONS:

CONDUCTOR No.	CONDUCTOR NO.	
	1 - 4	5 - 16
CONDUCTOR 1	CENTRE	OUTSIDE
MATERIAL	TINNED CU	TINNED CU
C.A.S.G.	22	30
STRANDING OFF/DIAG	7/30	7/38
TENSILE STRENGTH	N/A	N/A
INSULATION:		
MATERIAL	PVC	PVC
MIN. WALL THICKNESS	0.22 REF	0.20 REF
COLOUR	AS SPECIFIED IN IEC 61000	BLACK
OUTSIDE DIAMETER	L20 REF	0.70 REF
DIRECTION OF LAY	2	S
LENGTH OF LAY	85.0 REF	
WALL RATING	UL - 2844	

4. FILLER: ENOUGH TO MAKE THE ASSEMBLY ROUND

5. SEPARATOR: N/A

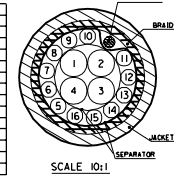
6. SHIELD: N/A

7. DRAIN WIRE: GAUGE 28 AWG
 STRANDING REQUIREMENT 7/30
 DRAIN TO BE ON THE OUTSIDE OF THE SEPARATOR

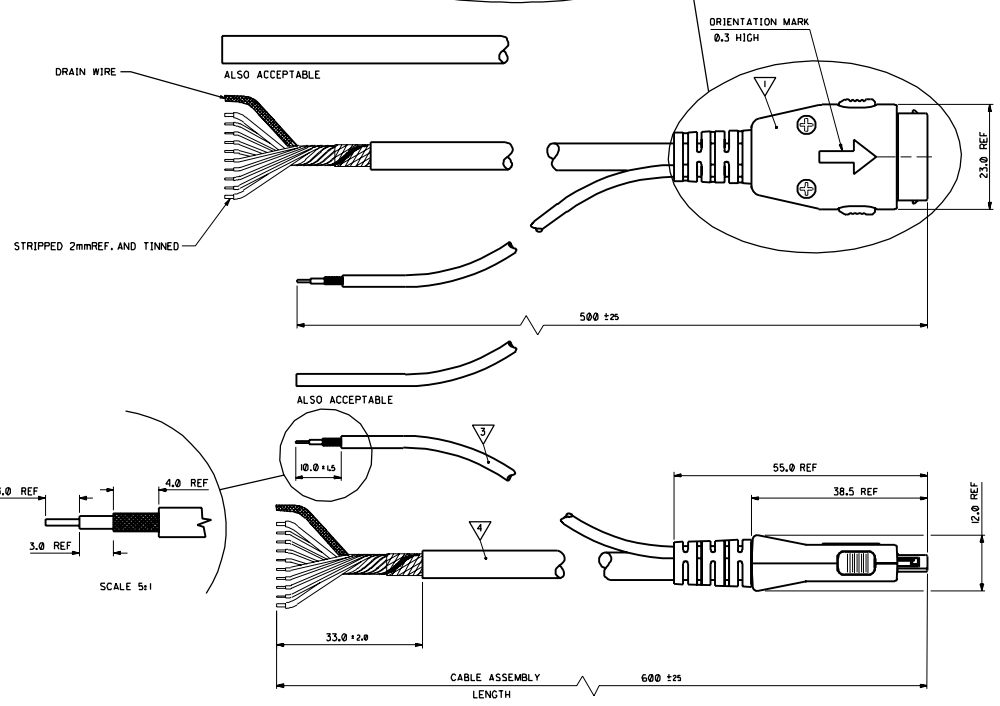
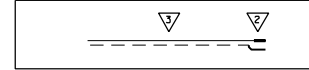
8. SPIRAL/BRAID: GAUGE 24 x 8 x 0.1
 COPPER TYPE TINNED CU
 CONDUCTIVE 90 %

9. CABLE JACKET: TYPE PVC
 FINAL DIAMETER 6.8 REF
 MIN. THICKNESS 0.22 REF
 COLOUR BLACK
 FINISH MATT
 ULL RATING UL - 2844
 HARDNESS 70
 STRIPABILITY MARKINGS YEAR / MONTH MFG OF MANUFACTURE TO BE PRINTED EVERY 500 TO IEC 62 INDEX S.1.

10. PACKAGING: PACKAGING SEE PACKAGING SPECIFICATION ESTABLISHED BY LOCAL PACKAGING AND MANUFACTURING DEPARTMENTS.



WIRING DIAGRAM : R.F. CABLE



BILL OF MATERIALS

NO.	QUANTITY	SUPPLIER	DESCRIPTION	PART No.	SEE NOTE
1	1	MOLEX	16 CIRCUIT I/O MOBILE PHONE PLUG CONNECTOR	90813-0001	4, 2, 3
2	1	MOLEX	COAXIAL RF CONNECTOR	90853-0001	5
3	1	NO PREFERRED SUPPLIERS	COAXIAL CABLE 50 OHM	RG 174 A/U	5
4	1	MOLEX	16 CORE CABLE SEE CABLE SPECIFICATION	99036-0001	5
5	10	NO PREFERRED SUPPLIERS	16 BORE HEAT SHRINK INSULATION TUBING .	90848-0005	4, 5
6	1	MOLEX	MOULDED ON GROMMET		5, 6
7	1	NO PREFERRED SUPPLIERS	HEAT SHRINK INSULATION TUBING .	90848-0007	4, 5
8	1	NO PREFERRED SUPPLIERS	CRIMP RING	90875-0001	5

NOTES:-

- MATES WITH SERIES 90811 HANDSET CONNECTOR.
- SEE PRODUCT SPECIFICATION NO. PS-99020-0033
- POWER CONTACTS TO BE ON CIRCUITS 1, 2, 15, 16
- CABLE CONDUCTORS 1, 2, 3, 6, 8, 10, 11, 12, 13, 15 AND RF CABLE TO BE COVERED WITH HEAT SHRINK INSULATION TUBING .
- ONLY AVAILABLE FROM MOLEX AS PART OF A CABLE ASSEMBLY
- SEE GROMMET SPECIFICATION ES-99038-0001 .
- PACKAGING ; SEE PACKING SPECIFICATION ES-99039-0002, AND LABELLED AS SHOWN YEAR AND MONTH 'XX', TO BE PRINTED ACCORDING TO IEC 62 INDEX S.1 .
- SEE TERMINATION SPECIFICATION ES-99033-0003 .

V2485I-Z1303-A116-1

XX MXI

MOLEX 90813-1006

FOR PREVIOUS DRAWING ISSUES SEE MRL.

REVISIONS

NO.	DESCRIPTION	DATE
1		
2		
3		
4		
5		
6		
7		
8		
9		
10		
11		
12		
13		
14		
15		
16		
17		
18		
19		
20		
21		
22		
23		
24		
25		
26		
27		
28		
29		
30		

DATE: 1994/05/28

SCALE: 2:1

REVISIONS ONLY ON CAD SYSTEM

MOLEX EUROPE

90813-1006

SDA-90813-1006