

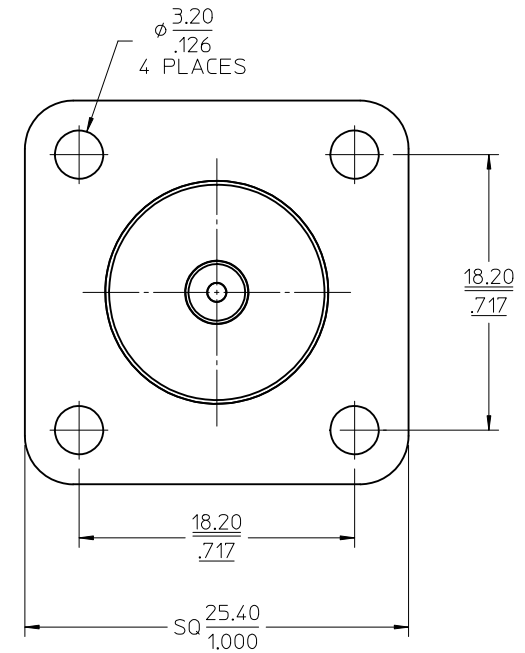
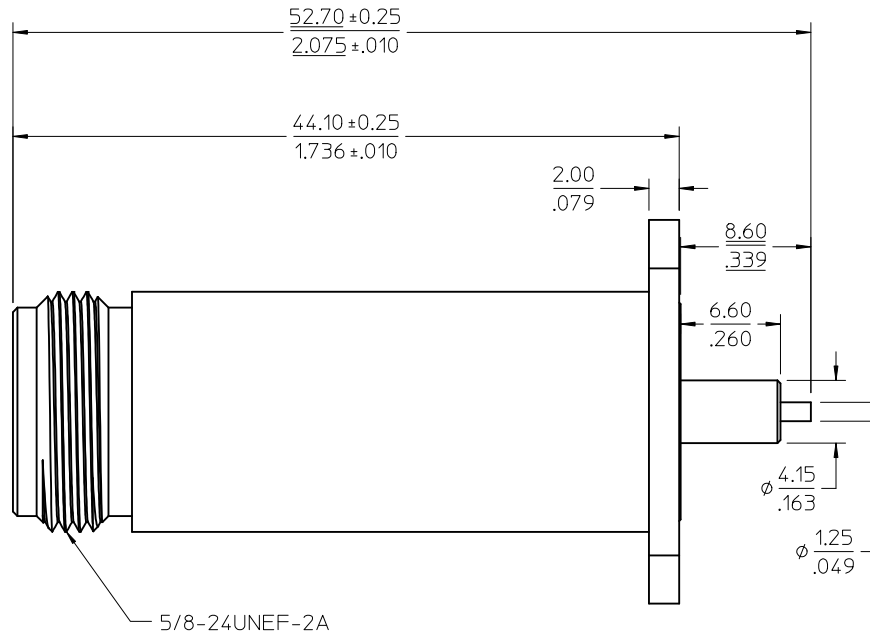
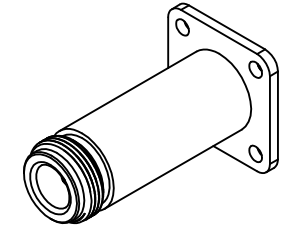
MATERIAL & FINISHES

BODY: BRASS  
PLATED NICKEL

FLANGE: BRASS  
PLATED NICKEL

CENTER CONTACT: PHOSPHOR BRONZE  
PLATED GOLD

INSULATOR: TEFLON



PART # 73101-0380

CHG: REDRAWN EC NO: URF2012-0046 DRWN: CWE102 CHKD: APPR: MHUANG	DESCRIPTION 2011/08/16 2011/09/05	QUALITY SYMBOLS	GENERAL TOLERANCES (UNLESS SPECIFIED)	DIMENSION STYLE	SCALE	DESIGN UNITS	THIRD ANGLE PROJECTION													
		<p>▽=0</p> <p>▽=0</p>	<table border="1"> <thead> <tr> <th></th> <th>mm</th> <th>INCH</th> </tr> </thead> <tbody> <tr> <td>4 PLACES</td> <td>± ---</td> <td>± ---</td> </tr> <tr> <td>3 PLACES</td> <td>± ---</td> <td>± ---</td> </tr> <tr> <td>2 PLACES</td> <td>± ---</td> <td>± ---</td> </tr> <tr> <td>1 PLACE</td> <td>± ---</td> <td>± ---</td> </tr> </tbody> </table> <p>ANGULAR ± 2 °</p>		mm	INCH	4 PLACES	± ---	± ---	3 PLACES	± ---	± ---	2 PLACES	± ---	± ---	1 PLACE	± ---	± ---	MM/IN	TITLE
	mm	INCH																		
4 PLACES	± ---	± ---																		
3 PLACES	± ---	± ---																		
2 PLACES	± ---	± ---																		
1 PLACE	± ---	± ---																		
REV: A1		DRAFT WHERE APPLICABLE MUST REMAIN WITHIN DIMENSIONS	MATERIAL NO. 731010380	DRAWN BY CWE102	DATE 2011/08/16	N TYPE, JACK 50 OHMS 4 HOLE FLANGE MOUNT N-J/FLG														
				CHECKED BY KERRIE	DATE 2011/08/16	MOLEX INCORPORATED														
				APPROVED BY MHUANG	DATE 2011/09/05	DOCUMENT NO. SD-73101-038	SHEET NO. 1 OF 1													
				THIS DRAWING CONTAINS INFORMATION THAT IS PROPRIETARY TO MOLEX INCORPORATED AND SHOULD NOT BE USED WITHOUT WRITTEN PERMISSION																