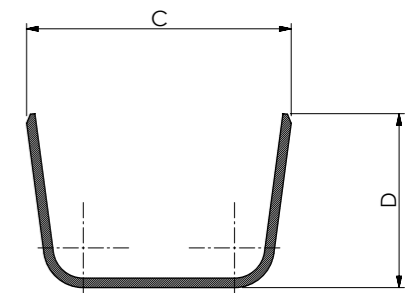
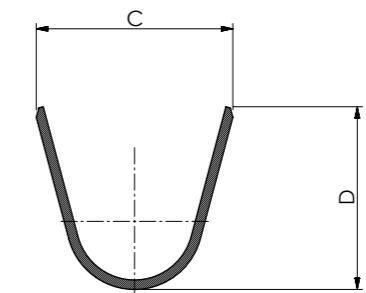
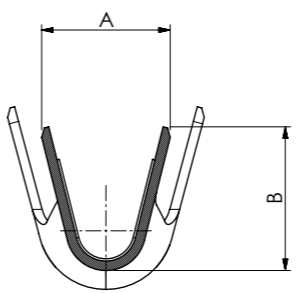
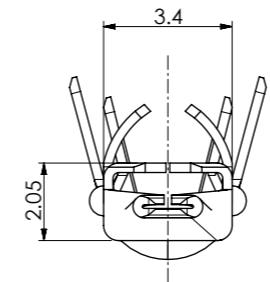
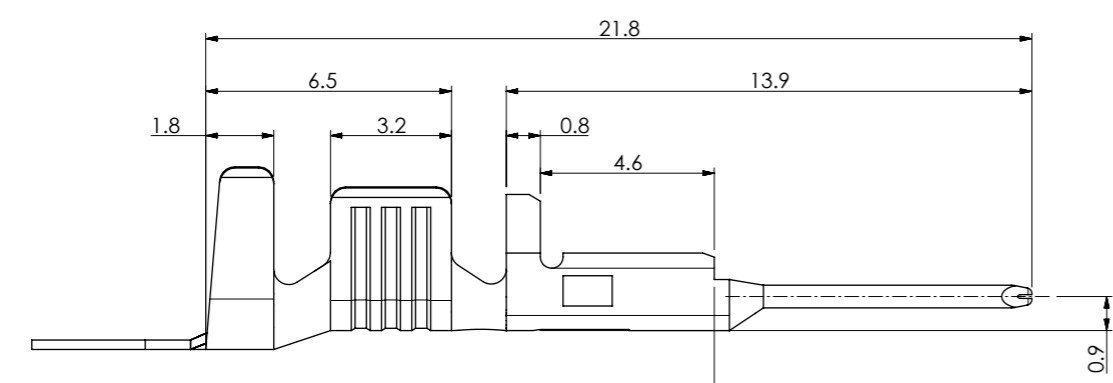


SECTION W-W
(Scale 8/1)

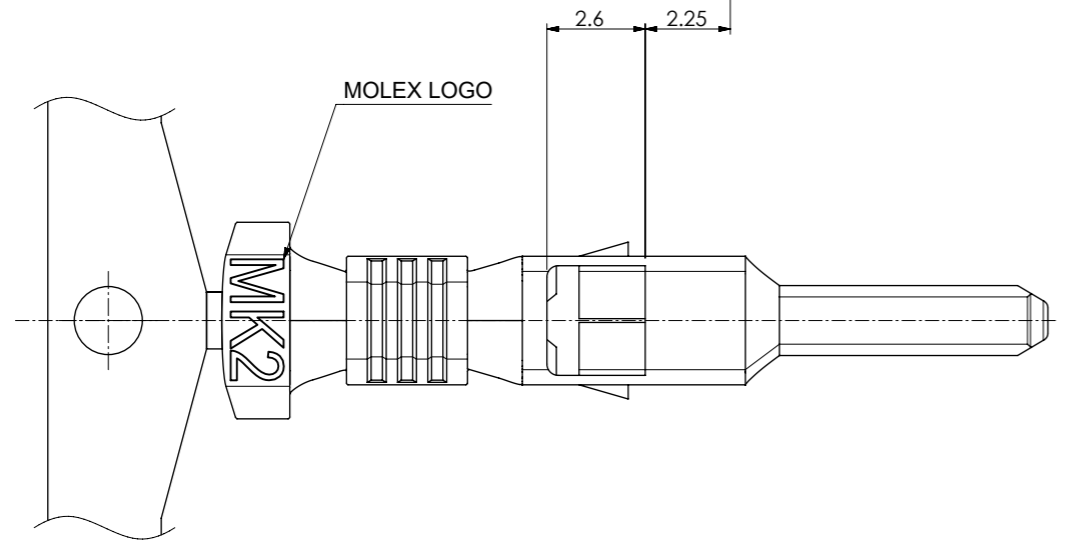
- NOTE:
 1. MATERIAL : COPPER ALLOY
 2. FINISH : PRE-TIN PLATED
 0.8 MICROMETER MIN. TIN PLATING
 3. RECOMMENDED WIRE : SEE THE TABLE
 4. PRODUCT SPECIFICATION : 2173470000PS
 5. PACKAGING SPECIFICATION : 2173478000PK
 6. MATES WITH : 217347 SERIES



SECTION X-X
(Scale 5/1)

217347-8000/8100
SECTION Y-Y
(Scale 5/1)

217347-8200
SECTION Y-Y
(Scale 5/1)



[TABLE]

PART NO.	APPLICABLE WIRE (UL3321)	A	B	C	D	P
217347-8000	#14~18	3.4	3.8	5.2	4.8	12.00
217347-8100	#20~22	2.7	2.6	4.2	4.0	10.60
217347-8200	#18+18, #18+20, #20+20	3.88	3.45	7.0	4.6	15.00

FUNCTIONAL SYMBOLS $\nabla_A = 0$ $\nabla_E = 0$ $\nabla_P = 0$	THIS DRAWING CONTAINS INFORMATION THAT IS PROPRIETARY TO MOLEX ELECTRONIC TECHNOLOGIES, LLC AND SHOULD NOT BE USED WITHOUT WRITTEN PERMISSION DIMENSION UNITS: mm SCALE: 5:1	CURRENT REV DESC: EC NO: 730020 DRWN: SCHONG03 CHK'D: JDPARK01 APPR: JBJIN			
	GENERAL TOLERANCES (UNLESS SPECIFIED) ANGULAR TOL $\pm 3.0^\circ$ 4 PLACES \pm 3 PLACES \pm 2 PLACES ± 0.3 1 PLACE ± 0.3 0 PLACES \pm	2022/03/17 2022/11/29 2022/12/02			
DIVISIONAL SYMBOLS DRAFT WHERE APPLICABLE MUST REMAIN WITHIN DIMENSIONS	THIRD ANGLE PROJECTION 	DRAWING: A3-SIZE SERIES: 217347	DOCUMENT NUMBER: 2173478000 DOC TYPE: PSD DOC PART: 000 REVISION: B	MATERIAL NUMBER: 2173478000 CUSTOMER:	SHEET NUMBER: 1 OF 1