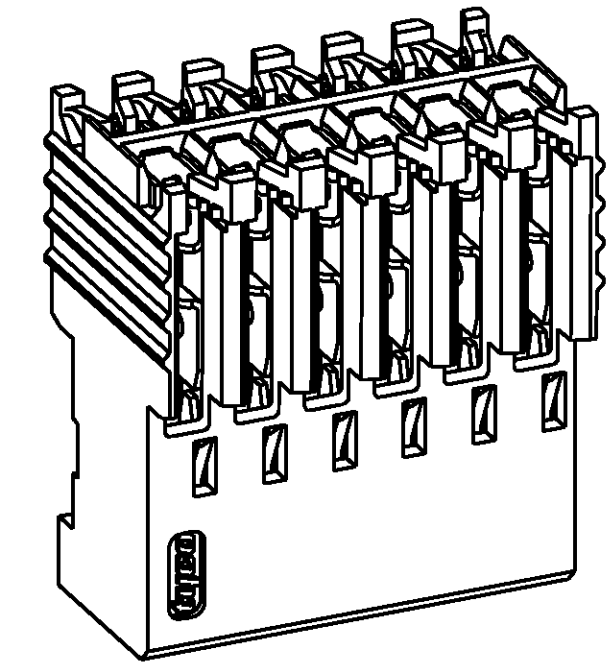
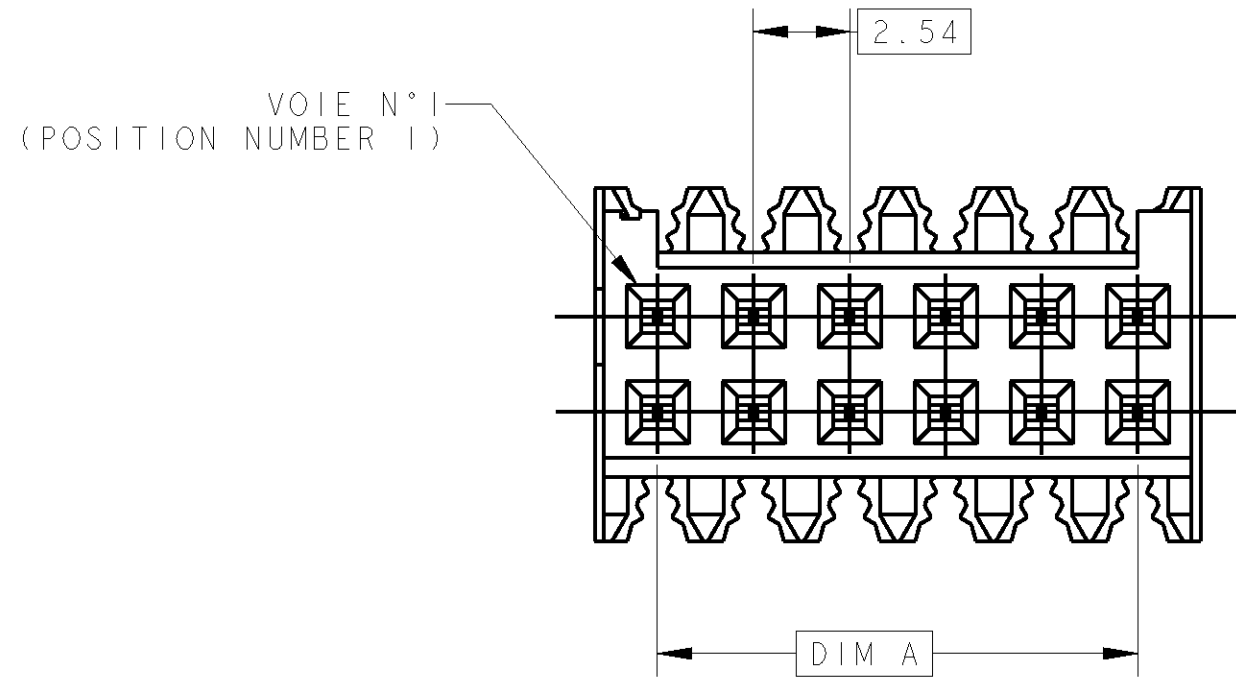


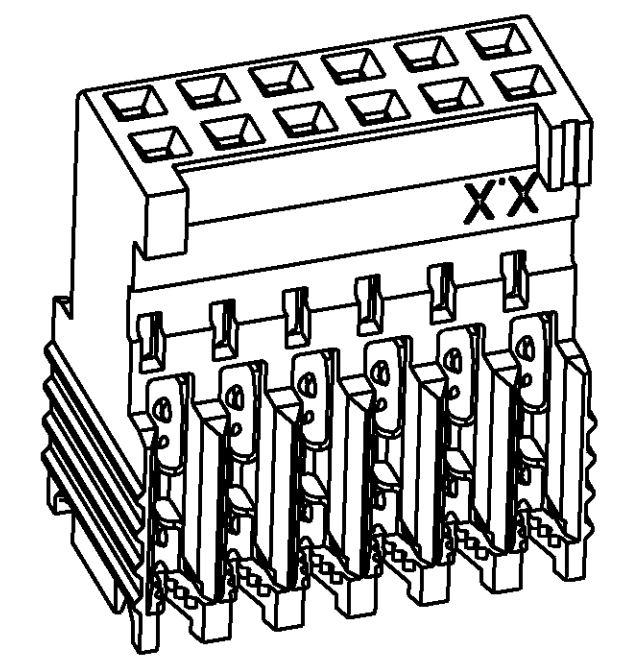
THIS DRAWING IS UNPUBLISHED. DIFFUSION RESTREINTE
 RELEASED FOR PUBLICATION LIBRE A LA DIFFUSION
 BY TYCO ELECTRONICS CORPORATION. ALL RIGHTS RESERVED. TOUS DROITS RESERVES

FILS ADMISSIBLES (ACCEPTABLES WIRES)	
JAUGE (AWG) SECTION / 7 BRINS (7 STRANDS)	28-26 0.08-0.12mm ²
ISOLANT: Ø MAX / MATIERE (INSUL.: Ø MAX / MAT'L)	Ø 1 / PVC

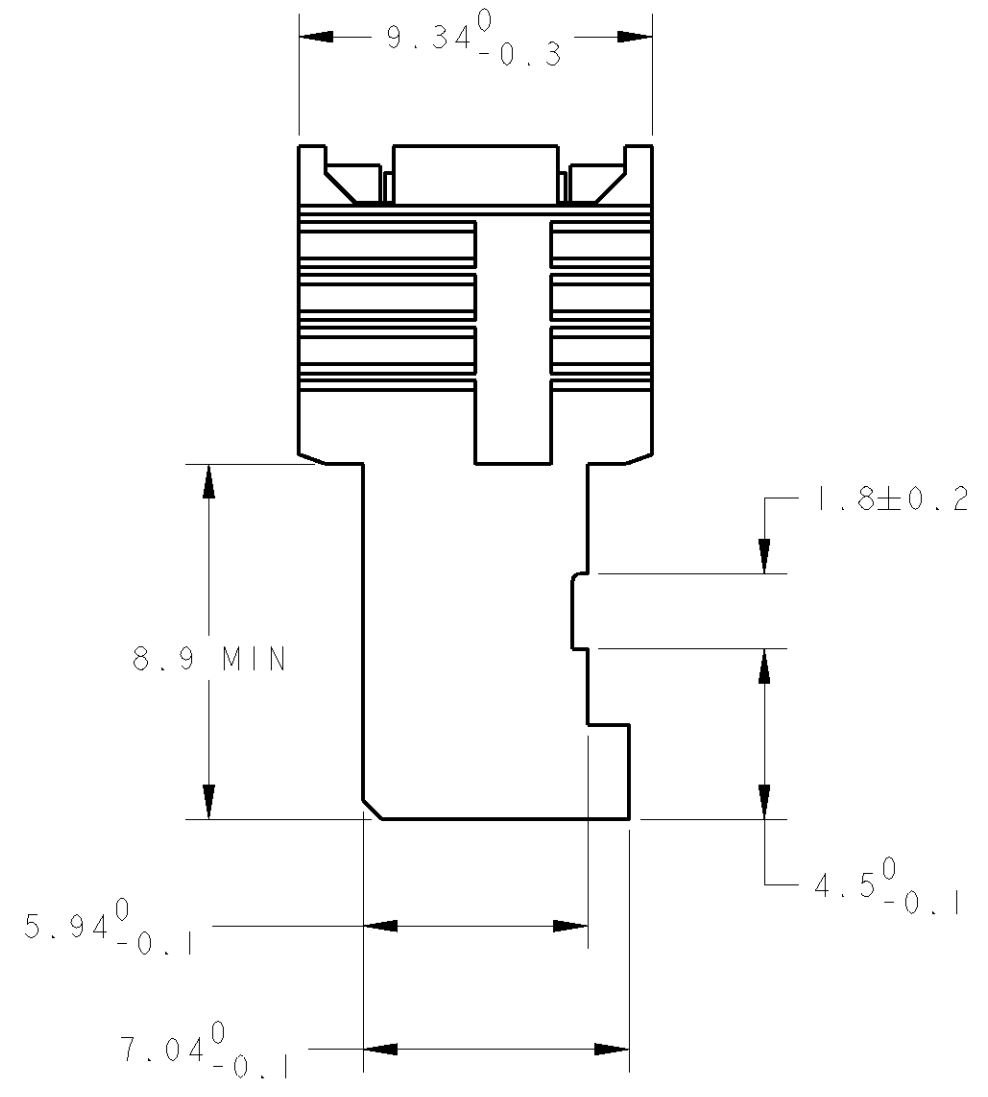
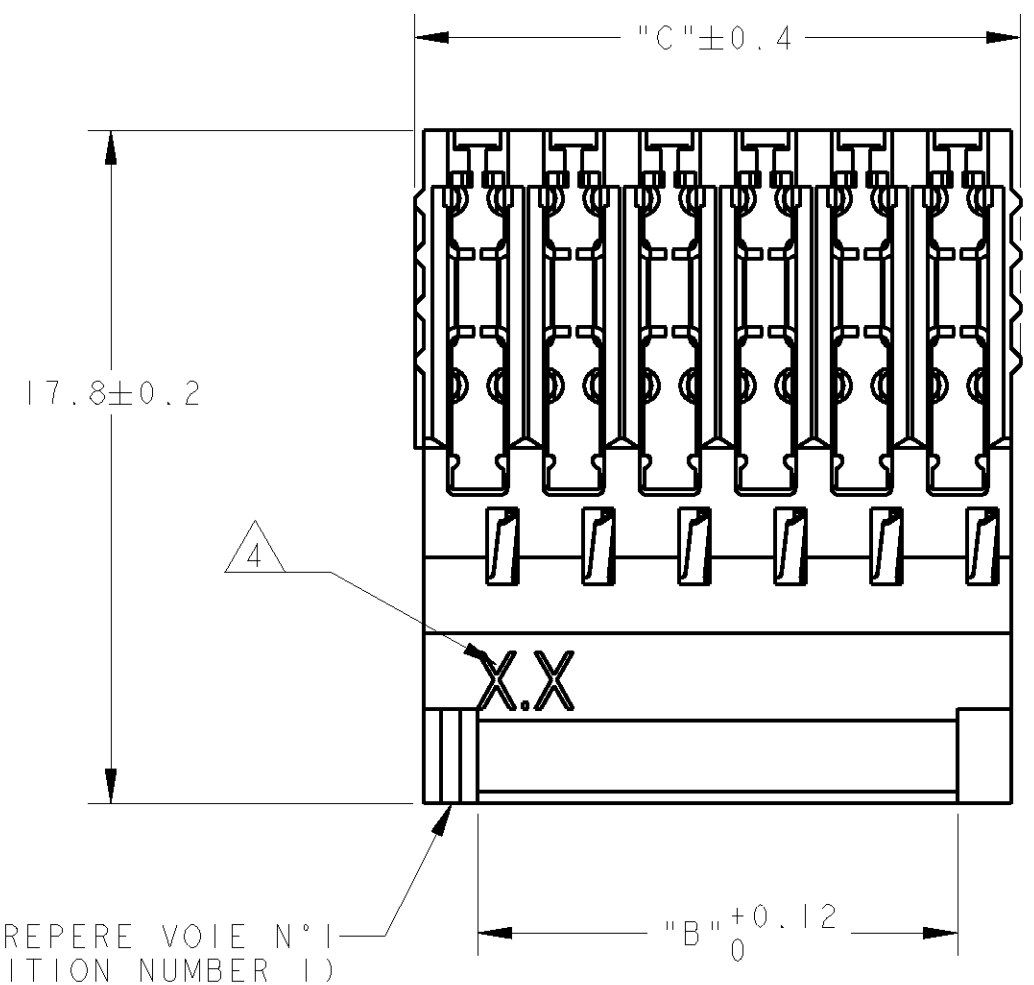
REVISIONS					
P	LTR	DESCRIPTION MODIFICATIONS	DATE	DWN DESS.	APVD APP.
A		REDESSINE	06/90	AC	-
B		REDESSINE SUR (REDRAWN ON) PRO/ENG	13SEP2002	CC	YP
C		UPDATED	28MAR2007	TC	YP



ECHELLE 4:1
SCALE



ECHELLE 4:1
SCALE



- 1 CES CONNECTEURS SONT PREVUS POUR ETRE ACCOUPLES AVEC LES EMBASES 'HE1402' DOUBLE RANGEE
- 2 LES REFERENCES SUIVIES D'UN ' * ' SONT LES VERSIONS NORMALISEES SELON LA 'CEI 603-8'
- 3 REVETEMENT DES CONTACTS: ETAME
- 4 "X.X" EST REMPLACE PAR LES DEUX DEUXIEME CHIFFRES DU COUPLE DES JAUGES AWG
- 5 MATIERES - BOITIER: PBT UL94V0
- CONTACTS: BRONZE PHOSPHOREUX.

- (THESE CONNECTEURS ARE DESIGNED TO BE MATED WITH 'HE1402' HEADERS DOUBLE ROW)
- (THE PART-N₀ FOLLOWED BY ' * ' ARE COVERED BY THE INTERNATIONAL STANDARD 'IEC603-8')
- (CONTACTS PLATING: TIN)
- ("X.X" REPLACED BY THE TWO SECOND DIGIT OF AWG RANGE AS DEFINED IN TABLE)
- (MATERIAL - HOUSING : PBT UL94V0
- CONTACTS: PHOSPHOR BRONZE)

46.52	43.18	2x 18	1- 281792-8 *
38.90	35.56	2x 15	1- 281792-5 *
31.28	27.94	2x 12	1- 281792-2 *
26.20	22.86	2x 10	1- 281792-0 *
21.12	17.78	2x 8	0- 281792-8 *
16.04	12.70	2x 6	0- 281792-6 *
13.50	10.16	2x 5	0- 281792-5 *
10.96	7.62	2x 4	0- 281792-4 *
8.42	5.08	2x 3	0- 281792-3 *
5.88	2.54	2x 2	0- 281792-2 *
"C"	"A,B"	Nb DE POS.	REFERENCES (PART N°)
DIMENSIONS			

THIS DRAWING IS A CONTROLLED DOCUMENT FOR TYCO ELECTRONICS CORPORATION. IT IS SUBJECT TO CHANGE AND THE CONTROLLING ENGINEERING ORGANIZATION SHOULD BE CONTACTED FOR THE LATEST REVISION. CE PLAN EST UN DOCUMENT CONTROLÉ PAR AMP INCORPORATED. IL EST SUSCEPTIBLE D'ÊTRE REVISÉ, CONTACTER LE SERVICE TECHNIQUE D'AMP DE FRANCE POUR OBTENIR LA DERNIÈRE RÉVISION.		DWN/DESSINE: 29NOV2000 C. COMBEDOUZON CHK/VERIFIE: 29NOV2000 T. CORRIOU APVD/APPROUVE: 29NOV2000 Y. PETRONIN	AMP DE FRANCE 95301 PONTOISE
DIMENSIONS: mm 	TOLERANCES UNLESS OTHERWISE SPECIFIED: (SUIV NB DE DECIMALES) 0 PLC/DEC: ± 1 PLC/DEC: ±0.3 2 PLC/DEC: ± 3 PLC/DEC: ± 4 PLC/DEC: ± ANGLES: ±5°	NAME/TITRE: HE 1402 PLUG, 180° IDC DOUBLE ROW PRODUCT SPEC: 108-15053 APPLICATION SPEC: 114-15031	SIZE/FORMAT: A2 CAGE CODE: 00779 DRAWING NO: C-281792 RESTRICTED TO RESERVE A
MATERIAL/MATIERE:	FINISH/FINITION:	WEIGHT/MASSE APPROX.: - CUSTOMER DRAWING /PLAN CLIENT	UNIFORMÉNT POUR REFERENCE: 5 SCALE/ECHELLE: 5:1 SHEET FEUILLE: OF DE: REV C