

| DASH NO | CABLES ACCOMMODATED | ASSEMBLE PER |
|---------|--|--------------|
| -23 | 275-3930, MICRODOT | TAI-127 |
| -24 | 202-3934, MICRODOT | TAI-125 |
| -24A | 9530A5117, RAYCHEM | TAI-127 |
| -27 | 202-3927, MICRODOT 73-1317911-1, SYLVANIA | TAI-125 |
| -29 | TWC-124-1A TWC-78-1 | TAI-125 |
| -30 | 8441, BELDEN Δ 761A, W.E.CO. | TAI-127 |
| -32 | TRC-50-1 | TAI-127 |
| -33 | TRC-75-1 | TAI-127 |
| -43 | 250-4044/250-4045 293-3930 MICRODOT | TAI-174 |
| -47 | M17/176-00002 Δ | TAI-125 |
| -49 | TWAC-78-1F2 Δ | TAI-125 |
| -56 | GC8756C1, GRUMMAN | TAI-174 |
| -57 | GC8756B1, GRUMMAN | TAI-174 |
| -58 | GC875TM24H, GRUMMAN | TAI-125 |

| INCH | MM |
|------|-------|
| .005 | 0.13 |
| .030 | 0.76 |
| .080 | 2.03 |
| .187 | 4.75 |
| .375 | 9.53 |
| .484 | 12.29 |
| .790 | 20.07 |

Δ .187 LG JACKET SLITS MAY BE REQUIRED FOR EASE OF ASSY

Δ NOT WRENCH CRIMP

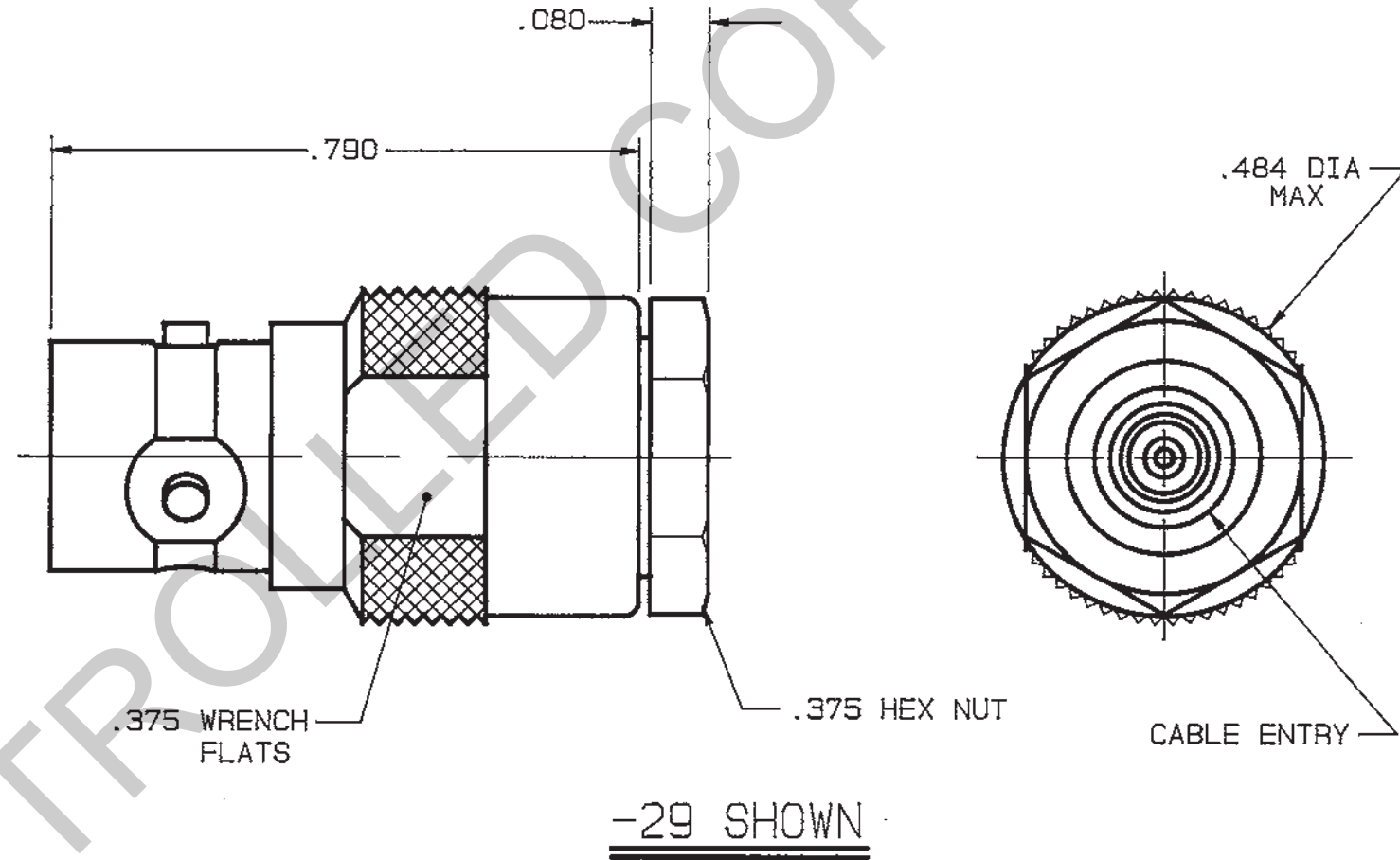
3. CONCENTRIC TWINAX/TRIAX SUBMINIATURE 3-LUG TRS RECEPTACLE

2. FINISH: TFS-1A (NICKEL)

1. ALL DIM ARE IN INCHES

DISK # H 7
DWG SIZE B
DATA CONTAINED IN THIS DOCUMENT IS PROPRIETARY TO TROMPETER ELECTRONICS INC. AND SHALL NOT BE DISCLOSED, COPIED OR USED FOR PROCUREMENT OR MANUFACTURE WITHOUT EXPRESS WRITTEN PERMISSION.

| REVISIONS | | | 3-0025 | | SH 1 |
|-----------|------|--|--------|------------|----------|
| REV | EO | DESCRIPTION | DWN | APPROVED | DATE |
| T | 9117 | ADDED -43; .484 DIA MAX WAS .447; ADDED ITEMS 13 & 14 TO L/M; ITEMS 13 & 14 FOR -29 & -57 WERE ITEMS 5 & 6 | J S | E.E., K.Q. | 12-13-90 |



| QTY | DESCRIPTION | | PART NUMBER | | ITEM | | |
|---|-------------|---------|-------------|-----------|--------------|--------------|------------|
| TOL UNLESS SPECIFIED .XX ± .XXX ± .005 .XXXX ± ANGLES ± | | | | | CJ150 | | |
| DWN | J S | 12/4/90 | | | | MATERIAL | CODE IDENT |
| 21-02 | CHK | E.E. | 12-11-90 | — | 14949 | 3-0025 | T |
| 21-01 | ENGR | K.Q. | 12-13-90 | | | | |
| NEXT ASSY | APPR | J.S. | 12-13-90 | SCALE 4/1 | DATE 6/20/75 | SHEET 1 OF 2 | |