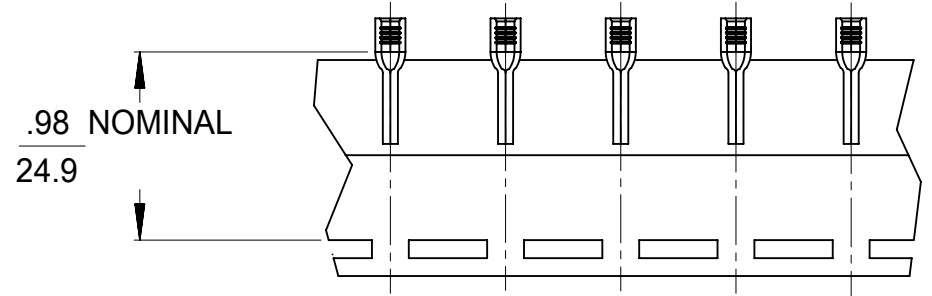
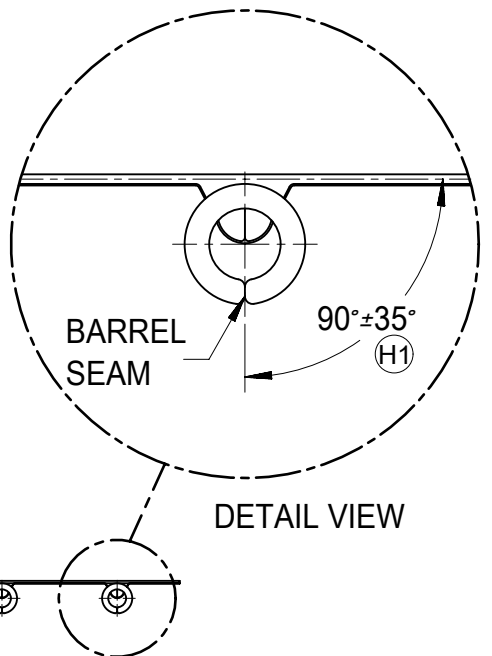
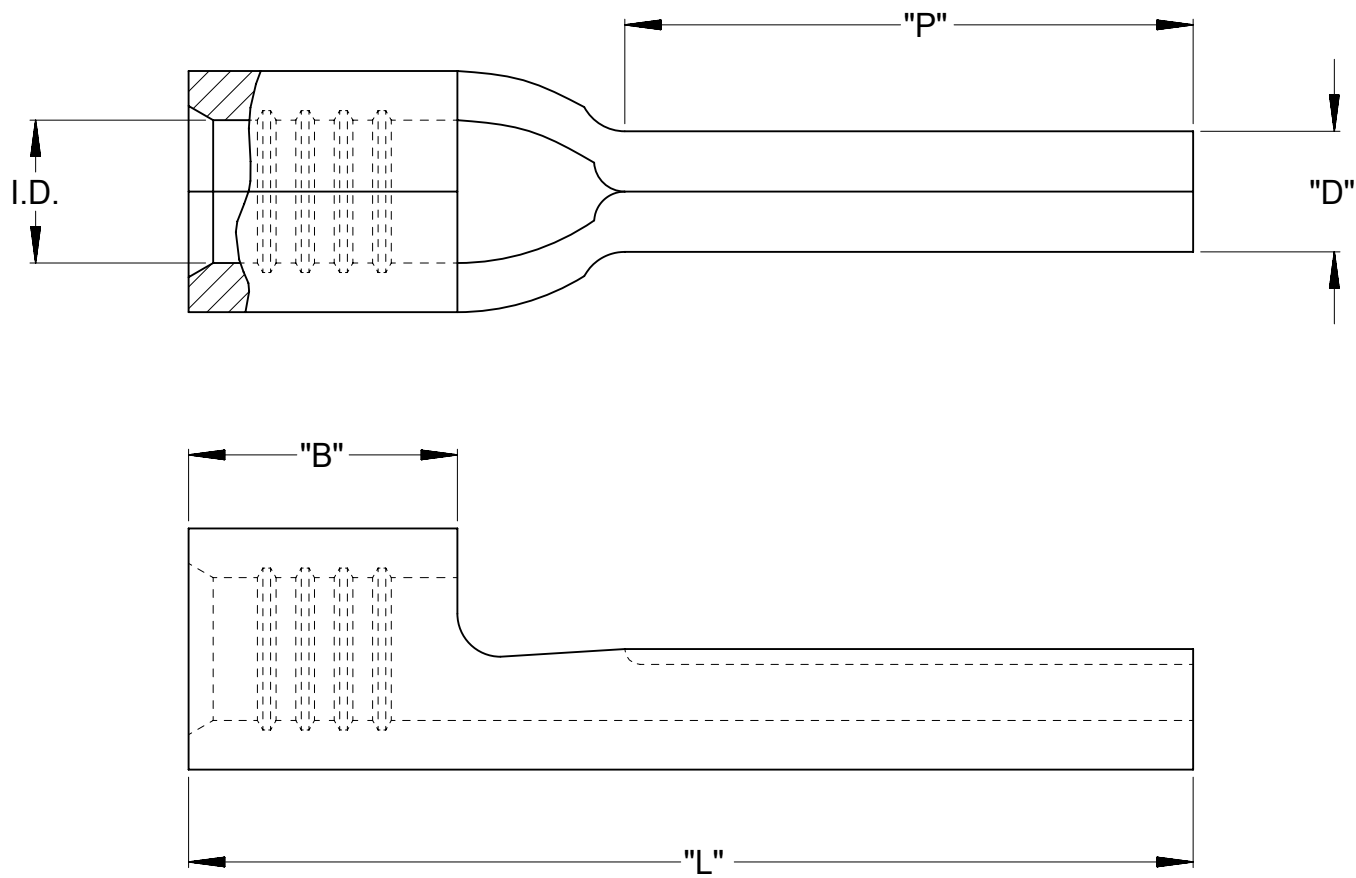


MATERIAL NO. LOOSE PIECE	ENGINEERING NO. LOOSE PIECE	MATERIAL NO. TAPE MOUNTED	ENGINEERING NO. TAPE MOUNTED	AWG	"ID" MIN	"B" MIN	"L" MAX	"P" MIN	"D" ± .01/0.3
192110003	WP-2218	192110004	WP-2218T	22-18	.055/1.40	.165/4.19	.70/17.78	.37/9.4	.078/1.98
192110005	WP-1614	192110006	WP-1614T	16-14	.081/2.06	.165/4.19	.70/17.78	.37/9.4	.078/1.98
192110001	WP-1210	192110002	WP-1210T	12-10	.129/3.28	.239/6.07	.84/21.34	.43/10.9	.107/2.72



PARTS ON TAPE

SALES DRAWING

- NOTES:
 1. MATERIAL: COOPER
 2. FINISH: ELECTRO-TIN PLATING
 3. PARTS ARE RoHS COMPLIANT.

FUNCTIONAL SYMBOLS										THIS DRAWING CONTAINS INFORMATION THAT IS PROPRIETARY TO MOLEX ELECTRONIC TECHNOLOGIES, LLC AND SHOULD NOT BE USED WITHOUT WRITTEN PERMISSION									
DIMENSION UNITS					SCALE					CURRENT REV DESC: TOLERANCE UPDATED									
INCH/MM					NTS					EC NO: 644203 DRWN: GROJAS01 2020/01/06 CHK'D: VNANDAM 2020/08/31 APPR: DMYRICK 2020/08/31 INITIAL REVISION: DRWN: B.ENDERLE 2002/02/14 APPR: H.BIETZEL 2002/02/14									
GENERAL TOLERANCES (UNLESS SPECIFIED)																			
4 PLACES ±		MM		INCH		3 PLACES ±		±											
2 PLACES ±		±		±		1 PLACE ±		±											
DIVISIONAL SYMBOLS										0 PLACES ± ± ± ± ± ANGULAR TOL ± °									
DRAFT WHERE APPLICABLE MUST REMAIN WITHIN DIMENSIONS					THIRD ANGLE PROJECTION					DRAWING					SERIES				
B-SIZE					19211					MATERIAL NUMBER					CUSTOMER				
SEE CHART					GENERAL MARKET					SHEET NUMBER					1 OF 1				

DOCUMENT STATUS	P1	RELEASE DATE	2020/08/31	18:07:51
-----------------	----	--------------	------------	----------