



## Mini Patch Panel Antenna +3dB

### Features

- Multi Frequency Operates at:
- 433 / 868MHz
- GSM 900/1800/1900MHz/UMTS
- Max gain: +3dB
- VSWR <4:1
- 50ohm
- 3m RG174 Lead SMA (M)
- Waterproof ABS Enclosure
- Dimensions 130 x 45 x 27mm
- Alternative Connectors: FME / Mini-UHF / TNC
- Vertical Polarization
- Operating Temp -30 to +85°C



### Two Mounting Options

- Mounting 2 x 3mm screws, or
- Centre Panel mount Bolt

### Applications

- Range Extension for;
- General Low Power Radio
- GSM / UMTS
- M2M Applications
- Telemetry

### Description

A Miniature Patch Panel Antenna ideal for external use. This antenna can operate at 433, 868, 900, 1800, 1900, UMTS frequencies.

This antenna should be vertically mounted on any surface (can be metallic or non metallic), and provides an excellent performance within a compact discrete enclosure.

# OUTSIDE-T/OUTSIDE-W



## Wall Mount Version

Two fixing holes (DIA 4mm) top and bottom.

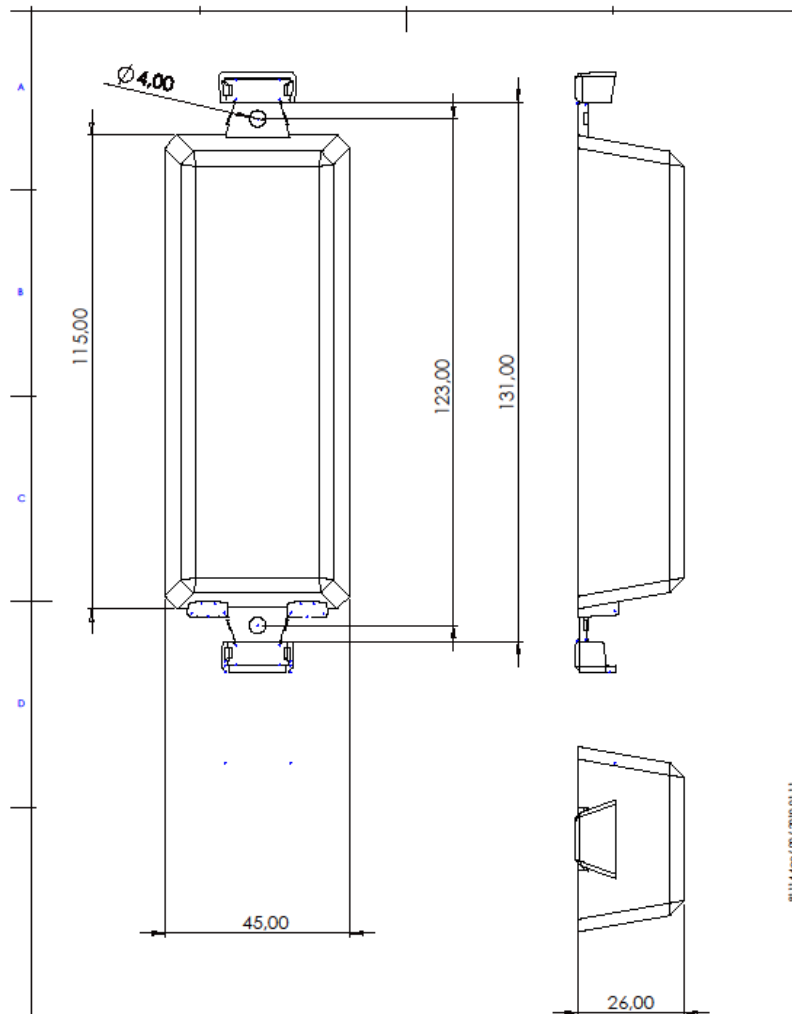
Flanges clip over to cover.

## Ordering Information

Part Number	Cable	Connector
OUTSIDE-WSMA	3metres RG174	SMA(M)
OUTSIDE-WFME	3metres RG174	FME



## Mechanical Dimensions



Dimension not on drawing, refers to 2D/3D-file.

Qty	Part No	Name	Material	Dimension / Colour	Scale	Rev.	Rev.
1	1	Outside W					
			Design: XX	ISO 2768-1m	1:1	81114	00
			Appr: XX	2010-01-11		81114-400	

# OUTSIDE-T/OUTSIDE-W



## Through Hole Mount Version

Single Fixing Bolt from centre of rear

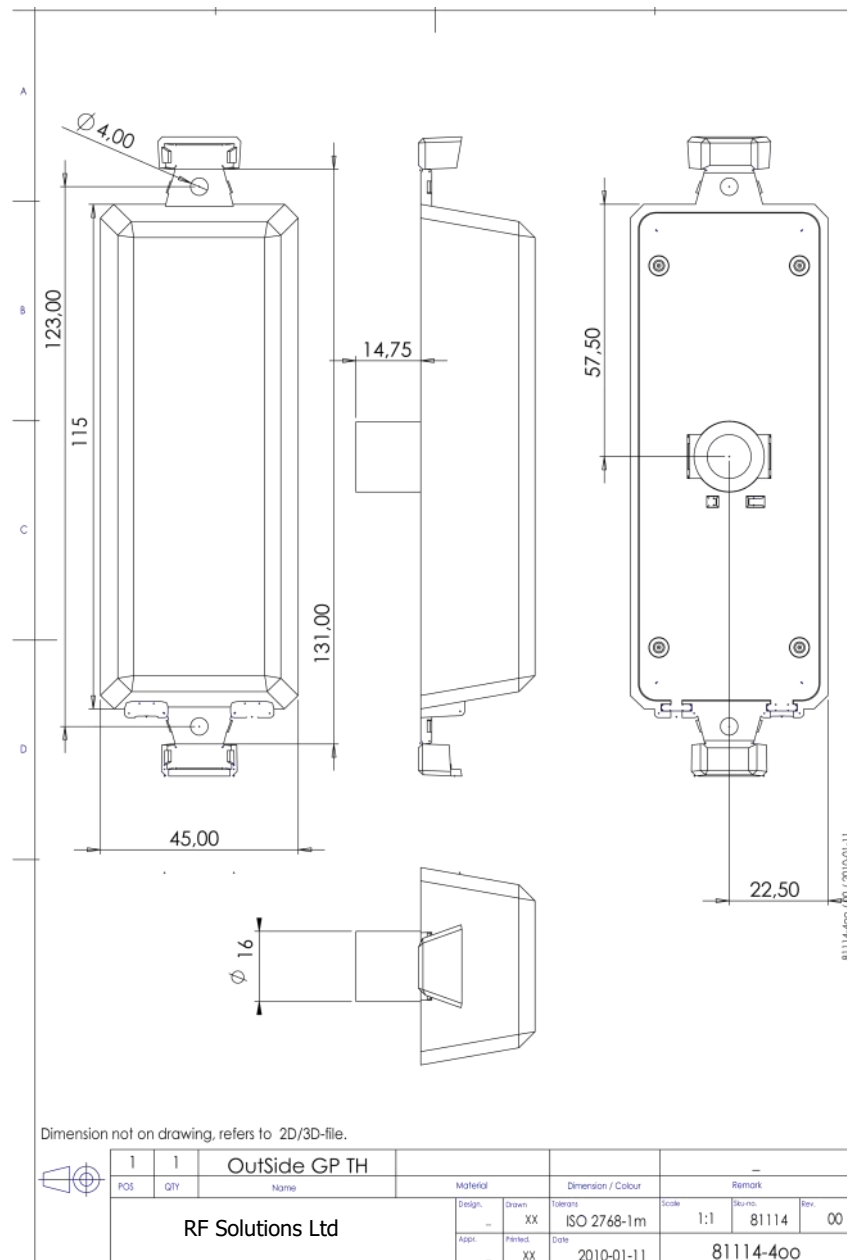
Cable exits through fixing Bolt



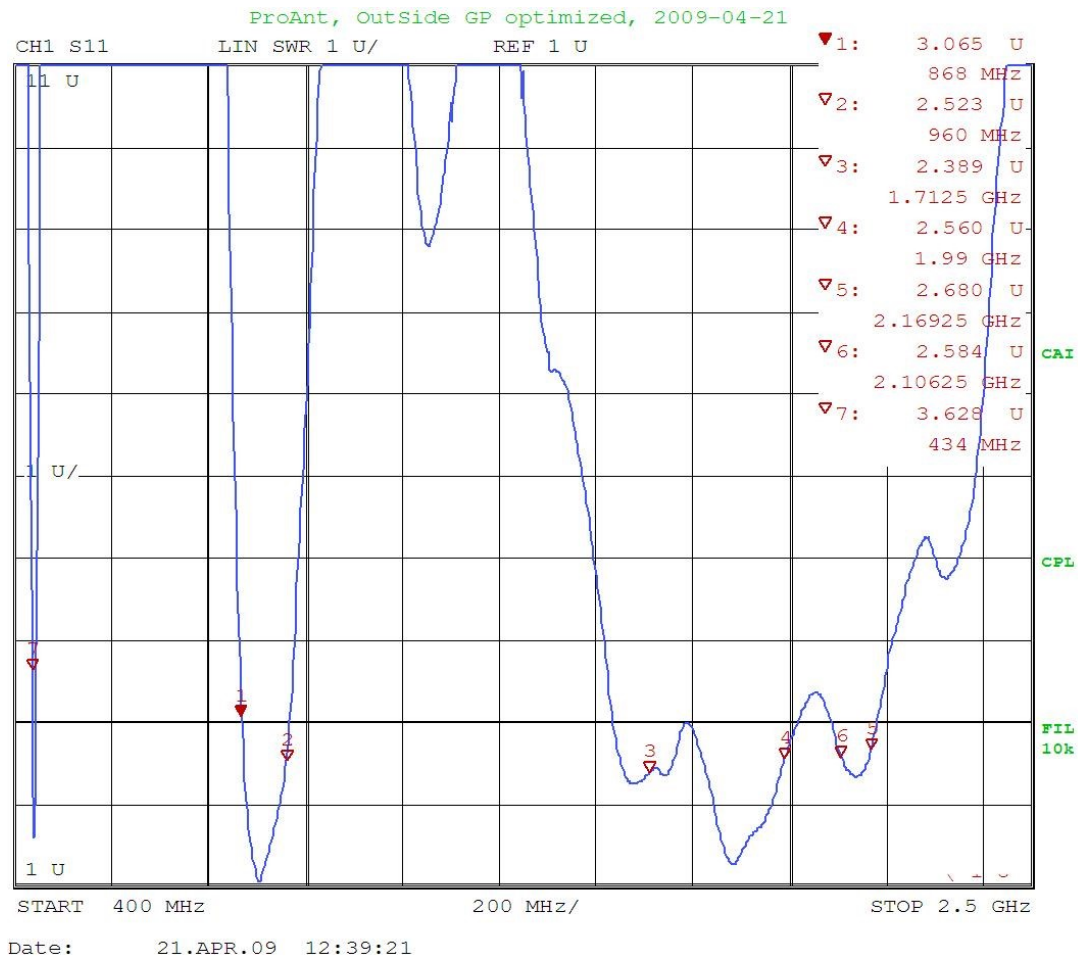
## Ordering Information

Part Number	Cable	Connector
OUTSIDE-TSMA	3metres RG174	SMA(M)
OUTSIDE-TFME	3metres RG174	FME

## Mechanical Dimensions



## Performance / VSWR Plot



### RF Solutions Ltd. Recycling Notice

Meets the following EC Directives:

#### DO NOT

Discard with normal waste, please recycle.

#### ROHS Directive 2011/65/EU and amendment 2015/863/EU

Specifies certain limits for hazardous substances.

#### WEEE Directive 2012/19/EU

Waste electrical & electronic equipment. This product must be disposed of through a licensed WEEE collection point. RF Solutions Ltd., fulfils its WEEE obligations by membership of an approved compliance scheme. Environment Agency producer registration number: **WEE/JB0104WV**.

### Waste Batteries and Accumulators Directive 2006/66/EC

Where batteries are fitted, before recycling the product, the batteries must be removed and disposed of at a licensed collection point.

#### Disclaimer:

Whilst the information in this document is believed to be correct at the time of issue, RF Solutions Ltd does not accept any liability whatsoever for its accuracy, adequacy or completeness. No express or implied warranty or representation is given relating to the information contained in this document. RF Solutions Ltd reserves the right to make changes and improvements to the product(s) described herein without notice. Buyers and other users should determine for themselves the suitability of any such information or products for their own particular requirements or specification(s). RF Solutions Ltd shall not be liable for any loss or damage caused as a result of user's own determination of how to deploy or use RF Solutions Ltd's products. Use of RF Solutions Ltd products or components in life support and/or safety applications is not authorised except with express written approval. No licences are created, implicitly or otherwise, under any of RF Solutions Ltd's intellectual property rights. Liability for loss or damage resulting or caused by reliance on the information contained herein or from the use of the product (including liability resulting from negligence or where RF Solutions Ltd was aware of the possibility of such loss or damage arising) is excluded. This will not operate to limit or restrict RF Solutions Ltd's liability for death or personal injury resulting from its negligence.