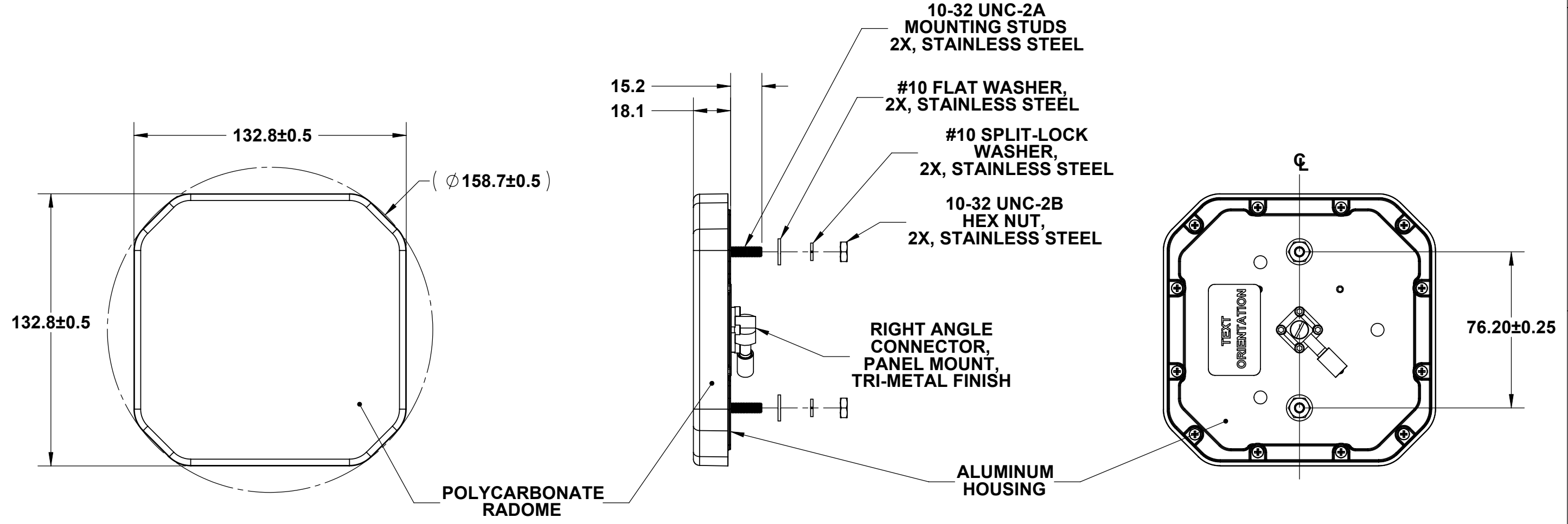


MODEL NUMBER	S9025PRRASMAF
CONNECTOR	RIGHT ANGLE SMA-TYPE, FEMALE
FREQUENCY	902 MHz - 928 MHz
GAIN	5.5 dBic
AXIAL RATIO	2 dB TYPICAL
NORMAL IMPEDANCE	50 Ω
POLARIZATION	CIRCULAR, RIGHT
BEAMWIDTH	100 DEGREES
VSWR	1.5:1
F/B	8 Db
POWER	10 W
WEIGHT	0.37 kg (0.8 lb)

REVISIONS				
REV.	ECR #	DESCRIPTION	CHANGED BY/DATE	APPROVED BY/DATE
AA	4048	INITIAL RELEASE PER	MCL 02-04-2010	S.J. 02-04-2010



THIS DRAWING IS UNPUBLISHED. RELEASED FOR PUBLICATION
 © Copyright 2022 TE Connectivity Ltd. ALL RIGHTS RESERVED.

MATERIAL:	N/A	THIRD ANGLE PROJECTION
FINISH:	N/A	DO NOT SCALE DRAWING
APPROVALS		INTERPRET DIMENSIONING AND TOLERANCING IN ACCORDANCE WITH ASME Y14.5M-2009
DRAWN BY	M.LABONVILLE	02-04-2010
PROJ. ENG.	T. PETROPOULOS	02-04-2010
APPL. MECH.	S. JOHNSON	02-04-2010
MFG.	I. CHICKLIS	02-04-2010
		TOLERANCES UNLESS OTHERWISE SPECIFIED
		DIMENSIONS ARE IN MILLIMETERS
		ANGLE: ±30'
		0 PLACE DECIMAL: ±0.5
		1 PLACE DECIMAL: ±0.25
		2 PLACE DECIMAL: ±0.13
		SURFACE ROUGHNESS 1.6

TE
connectivity

TITLE:
S9025PRRASMAF

SIZE	DWG. NO.	REV
A3	S9025PRRASMAFMO	AA
SCALE: 1:2	PREVIOUS#	SHEET 1 OF 1