

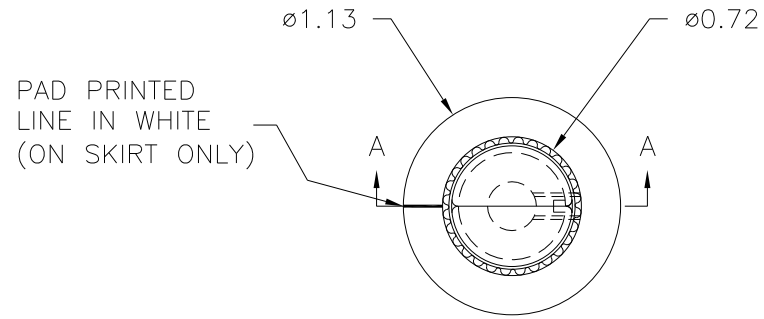
PART NAME: KNOB SCALE: 1:1 DATE: 1/11/02 DR. BY JAM

THIS DRAWING IS THE PROPERTY OF DAVIES MOLDING COMPANY, IS SUBMITTED SOLELY AS A DESIGN OR ENGINEERING PROJECT. WE ACCEPT NO RESPONSIBILITY WHATSOEVER FOR THE PRACTICAL APPLICATION OF THE PIECES MADE TO THIS DESIGN.

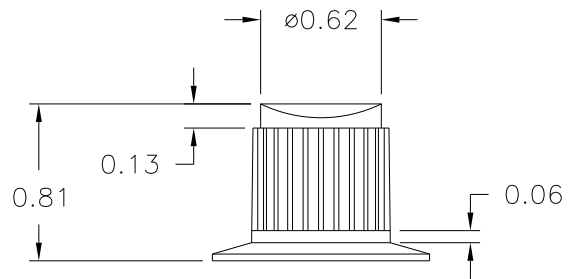


DESIGNERS & MANUFACTURERS OF KNOBS, HANDLES, CASES & CUSTOM PLASTIC COMPONENTS

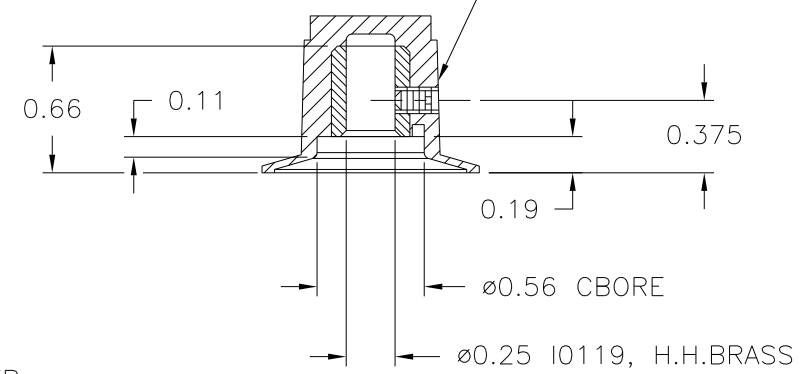
P/N 8072-F  
 BASE PART 8072-01  
 SET SCREW I0252



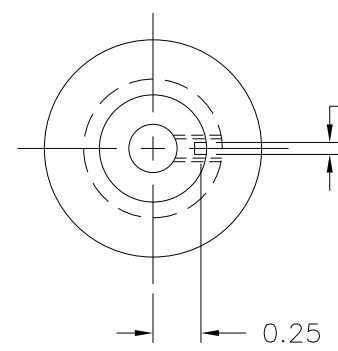
#6-32 TAP,



USE #36 DRILL (0.106),  
 #6-32 THREAD  
 X 3/16 LG. CUP POINTED,  
 HEADLESS, SOCKET TYPE,  
 SET SCREW, I0252.



SECTION A-A



Ⓐ 0.062 X 0.062 DEEP  
 (LOCATION HOLE ONLY)

MATERIAL: ABS  
 COLOR: BLACK

|   |                                  |   |  |             |
|---|----------------------------------|---|--|-------------|
| TOLERANCES:<br>UNLESS OTHERWISE SPECIFIED | DO NOT SCALE<br>DRAWING          |   |  |             |
| DECIMALS: X.XXX ± .005<br>X.XX ± .015     | MM: X.XX ± 0.15MM<br>X.X ± 0.4MM | A | CORRECTED<br>LOCATING<br>HOLE SHAPE<br>& DIMENSIONS  | JAM 9/11/09 |
| FRACTIONS ± 1/64                          | ANG. ± 1°                        | - | ADDED LOCATING HOLE AND<br>CORRECTED PART APPEARANCE | TS 12/26/02 |
| CHANGES                                   |                                  |   |  |             |