

This document is the property of Amphenol Corporation and is delivered on the express condition that is not to be disclosed, reproduced or used, in whole or in part, for manufacture or sale by anyone other than Amphenol Corporation without its prior consent, and that no right is granted to disclose or to use any information in this document.

The marking on this product doesn't contain environmental hazardous materials per Material Specification 55-00259 for Sony GP compliant or per directive 2011/65/EU for RoHS compliant.

USB TYPE-C FULL-FEATURED RECEPTACLE INTERFACE PIN ASSIGNMENTS

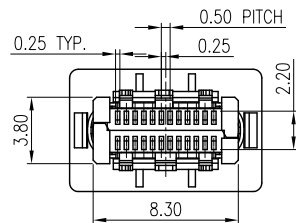
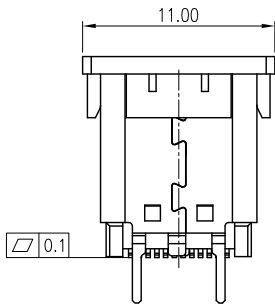
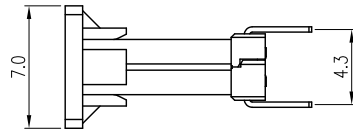
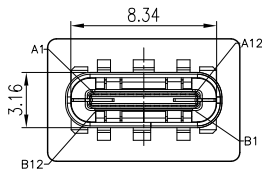
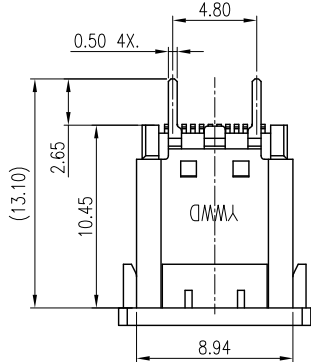
PIN	Signal Name	Description	PIN	Signal Name	Description
A1	GND	Ground return	B12	GND	Ground return
A2	SSTXp1	Positive half of first SuperSpeed TX differential pair	B11	SSRXp1	Positive half of first SuperSpeed RX differential pair
A3	SSTXn1	Negative half of first SuperSpeed TX differential pair	B10	SSRXn1	Negative half of first SuperSpeed RX differential pair
A4	Vbus	Bus Power	B9	Vbus	Bus Power
A5	CC1	Configuration Channel	B8	SBU2	Sideband Use (SBU)
A6	Dp1	Positive half of the USB 2.0 differential pair-Position 1	B7	Dn2	Negative half of the USB 2.0 differential pair-Position 2
A7	Dn1	Negative half of the USB 2.0 differential pair-Position 1	B6	Dp2	Positive half of the USB 2.0 differential pair-Position 2
A8	SBU1	Sideband Use (SBU)	B5	CC2	Configuration Channel
A9	Vbus	Bus Power	B4	Vbus	Bus Power
A10	SSRXn2	Negative half of second SuperSpeed RX differential pair	B3	SSTXn2	Negative half of second SuperSpeed TX differential pair
A11	SSRXp2	Positive half of second SuperSpeed RX differential pair	B2	SSTXp2	Positive half of second SuperSpeed TX differential pair
A12	GND	Ground return	B1	GND	Ground return

REVISIONS				
SYM	ECN No.	DESCRIPTION	DATE	APPROVED
AX1	EDSR#6298	NON-RELEASE REVISION	04/28/2016	Arron Lin
AX2		ADD CAP	05/11/2016	Arron Lin
AX3		ADD PACKING DRAWING	09/05/2016	Arron Lin

FOR REFERENCE ONLY

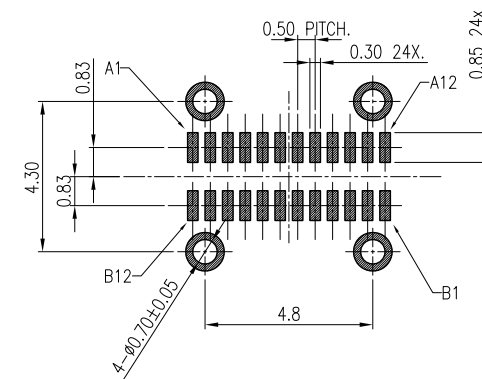
NOTES:

- MATERIAL:
 - HOUSING: HIGH TEMPERATURE THERMAL PLASTIC LCP UL94-V0, COLOR: BLACK
 - CAP: HIGH TEMPERATURE THERMAL PLASTIC LCP UL94-V0, COLOR: BLACK
 - TERMINAL: COPPER ALLOY.
 - SHELL: STAINLESS STEEL
- FINISH:
 - TERMINAL:
 - CONTACT AREA: SELECTIVE PLATING;
 - SOLDERING AREA: MATTE TIN PLATING 100 μm THICKNESS MIN.;
 - UNDER PLATING: NICKEL PLATING 50 μm THICKNESS MIN.OVERALL.
 - SHIELD:
 - ELECTROLESS NICKEL PLATING 50 μm THICKNESS MIN.OVERALL.
- PACKING IS PER AMTA PACKING SPECIFICATION PKS-0001.
- THIS PRODUCT DOESN'T CONTAIN ENVIRONMENTAL HAZARDOUS PER DIRECTIVE 2011/65/EU FOR RoHS COMPLIANT.
- PRODUCT SPECIFICATION REFER TO : PS-7XXX.



P/N : GSB3C41 X 305H1EU

CONTACT FINISH
3: 30u" GOLD



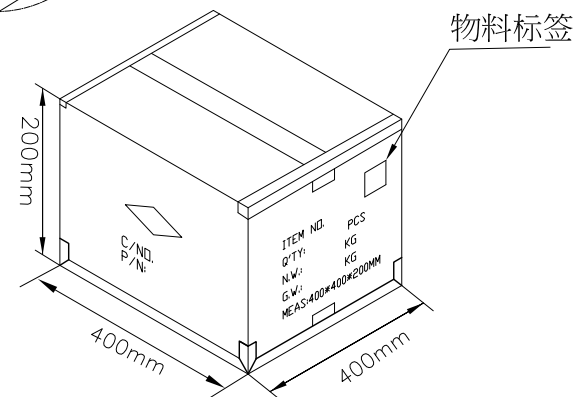
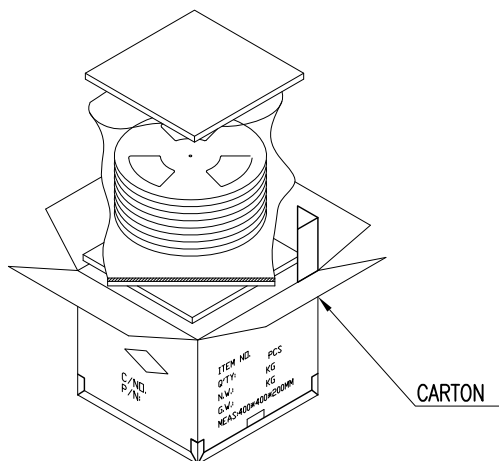
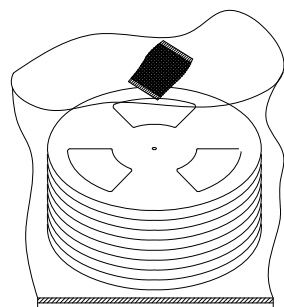
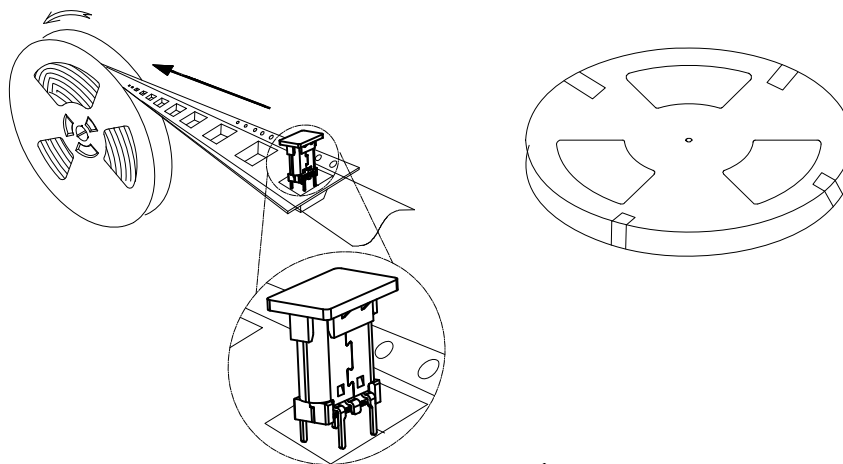
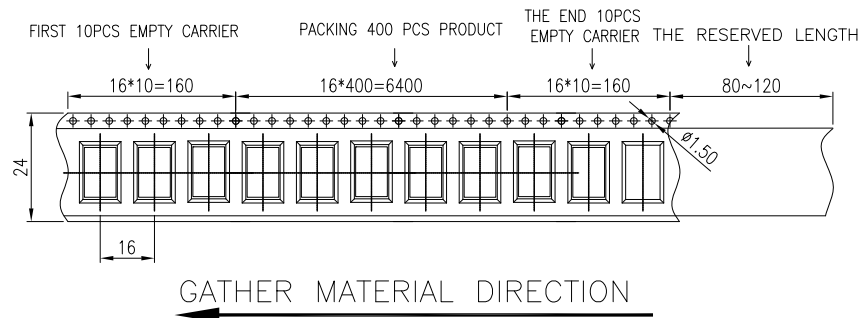
RECOMMENDED P.C.B. LAYOUT (T=1.00mm)
TOP VIEW, TOLERANCE: ±0.05mm
(SCALE 2:1)

TOLERANCE		APPROVALS		DATE	TITLE		Amphenol®		
X.		DRAWN		09/05/2016	USB 3.0 GEN 1 (5G) TYPE C RECEPTACLE VERTICAL SMT TYPE		Amphenol Corporation Amphenol Taiwan Corporation		
X.X	±0.30	Debby Hung							
X.XX	±0.20	CHECKED		09/05/2016					
X.XXX	±0.10	Roger Tsai					PART No. GSB3C41X305H1EU		
ANGULAR	±1°	APPROVED		09/05/2016			DWG No. GSB3C41X305H1EU		
UNLESS OTHERWISE SPECIFIED		DWG TYPE		PROJECT CODE	UNIT		REV.		
		CUST DWG		OTHER	mm		AX3		
					SCALE		SHEET		
					NA		1 OF 1		

This document is the property of Amphenol Corporation and is delivered on the express condition that is not to be disclosed, reproduced or used, in whole or in part, for manufacture or sale by anyone other than Amphenol Corporation without its prior consent, and that no right is granted to disclose or to use any information in this document.
The marking on this product doesn't contain environmental hazardous materials per Material Specification 55-00259 for Sony GP compliant or per directive 2011/65/EU for RoHS compliant.

FOR REFERENCE ONLY

REVISIONS				
SYM	ECN No.	DESCRIPTION	DATE	APPROVED
AX1	EDSR#6298	NON-RELEASE REVISION	04/28/2016	Arron Lin
AX2		ADD CAP	05/11/2016	Arron Lin
AX3		ADD PACKING DRAWING	09/05/2016	Arron Lin



NOTE:

1. PEELING SPEED: 300mm/MINUTE
2. PEELING RESISTANCE: 30g~90g
3. PEELING ANGLE: 165° ~ 180°

PACKAGING BY T&R	5.42	2.49	400	7	2800	GSB3C41X305H1EU
	G/W KG	N/W KG	PCS/ REEL	REELS/ BOX	QUANTITY (PCS)	PART NUMBER

TOLERANCE		APPROVALS		DATE	TITLE		Amphenol [®] Amphenol Corporation Amphenol Taiwan Corporation	
X.		DRAWN	Debby Hung	09/05/2016	USB 3.0 GEN 1 (5G) TYPE C RECEPTACLE VERTICAL SMT TYPE			
X.X	±0.30	CHECKED	Roger Tsai	09/05/2016	UNIT mm		SIZE A3	PART No. GSB3C41X305H1EU
X.XX	±0.20	APPROVED	Arron Lin	09/05/2016	SCALE NA		SHEET 1 OF 1	DWG No. GSB3C41X305H1EU
X.XXX	±0.10	DWG TYPE CUST DWG		PROJECT CODE OTHER	REV. AX3			
ANGULAR	±1°							
UNLESS OTHERWISE SPECIFIED								