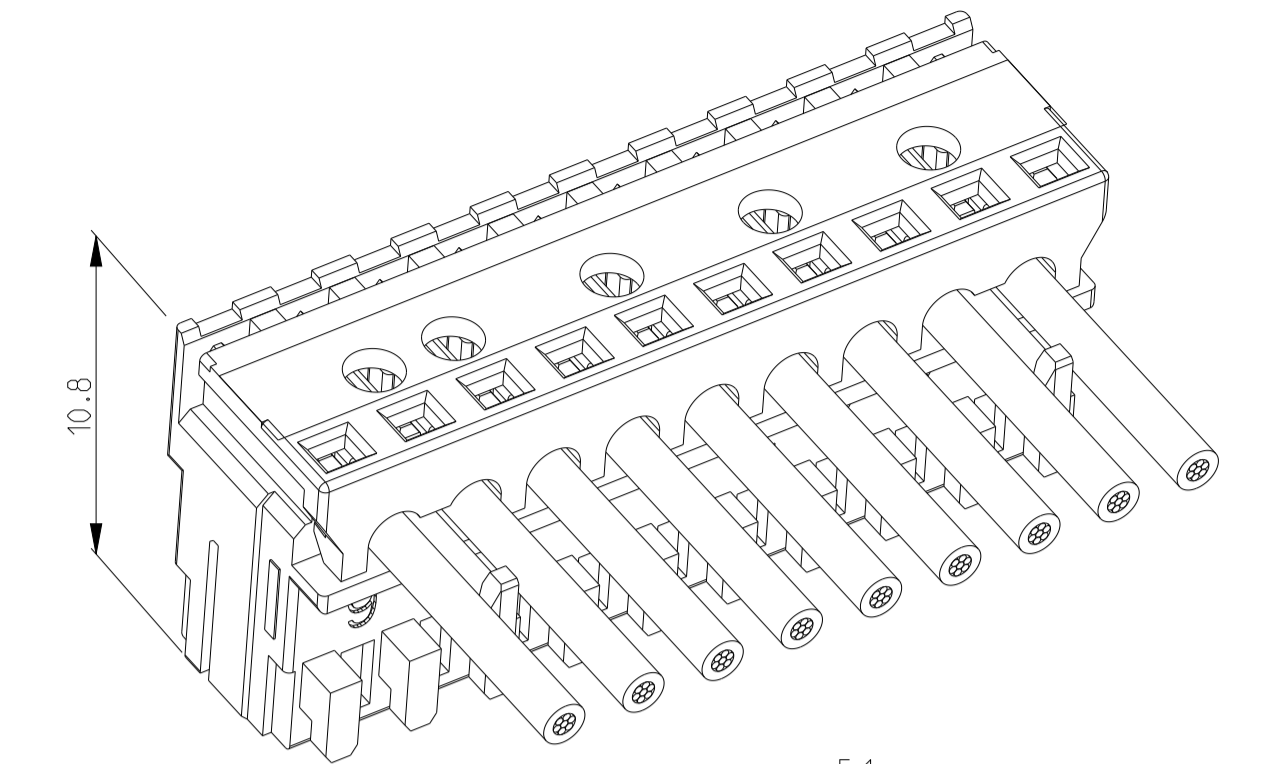
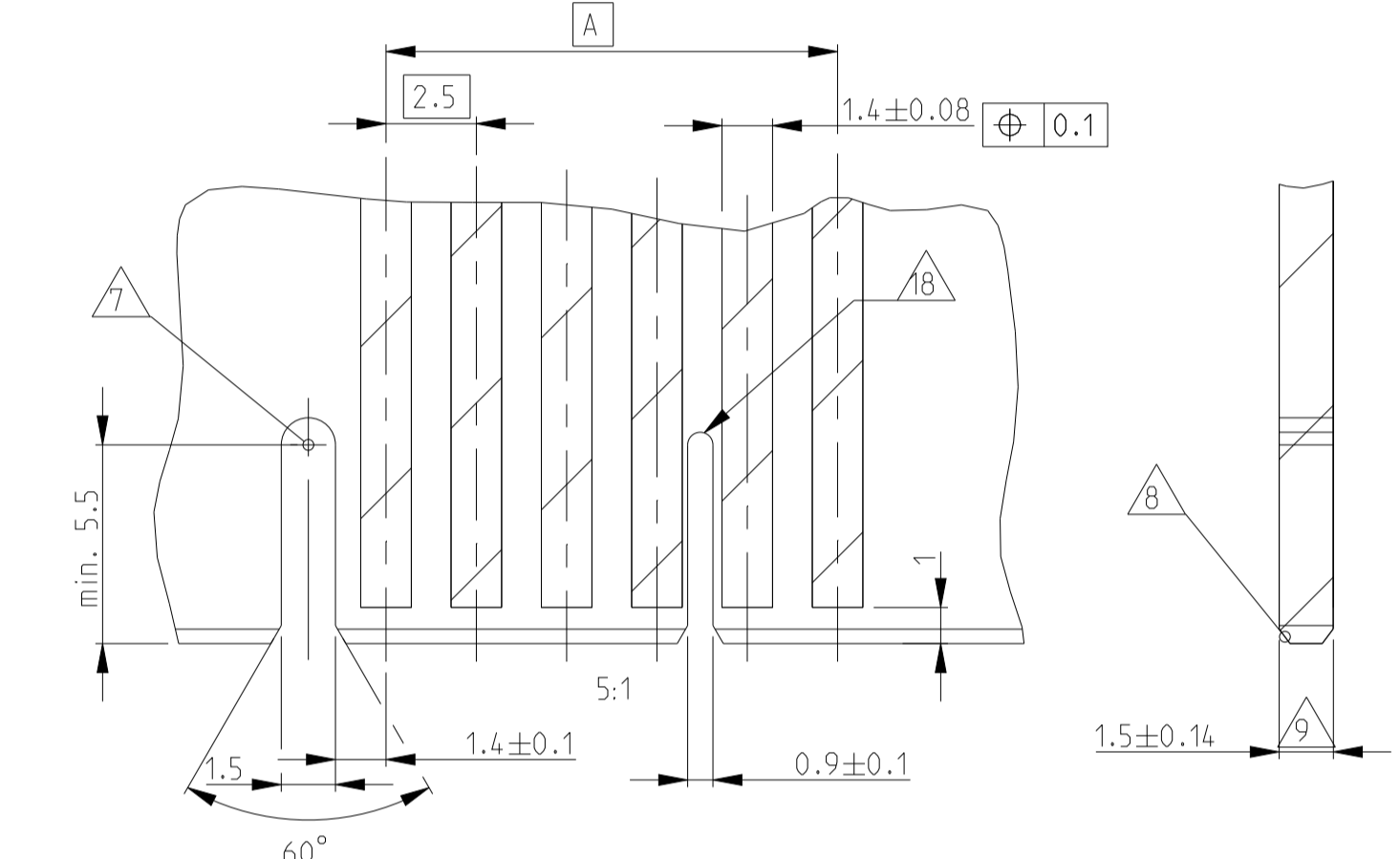


- △29 CAVITY ID STARTS WITH LETTER FOR PARTS PRODUCTION IN QINGDAO PLANT, SUCH AS "A1."
- △28 STRIPE IN YELLOW COLOR WHERE SHOWN PRESENT ON THE PARTS PRODUCED IN TE COLLEGO ONLY
- △27 DIMENSION AVAILABE FOR PART X-2304525-X, X-2304526-X.
- △26 WITH SPECIAL CHAIN FEATURE
- △25 SIDE KEYING ON LAST CAVITY THICKNESS=1.5mm
- △24 SIDE KEYING ON CAVITY 1 THICKNESS=1.5mm
- △19 COLOR STRIP ON COVER OF HOUSING. NOT THE COLOR OF HOUSING.
- △18 SLOT. THICK. BETWEEN CAVITIES
- △17 KEYING. THICK. BETWEEN POSITION
- △16 SLOT. SLIM. FOR SIDE KEYING. LAST CAVITY
- △15 SLOT. SLIM. FOR SIDE KEYING. SIDE CAVITY 1
- △14 SIDE KEYING. SLIM. ON LAST CAVITY
- △13 SIDE KEYING. SLIM. ON CAVITY 1
- △12 KEYING SLIM BETWEEN POSITIONS
- △11 PRELIMINARY PART NOT RELEASED FOR PRODUCTION
- △10 TE LOGO
- △9 INCLUSIVE COPPER LOADING
- △8 PCB PREFERABLY CHAMFERED
- △7 SLOT. THICK. FOR SIDE KEYING
- △6 SIDE KEYING. THICK. ON LAST CAVITY
- 5 WIRE RANG: 0.22-0.35mm² SEE APPLICATION SPEC. 114-18467
- △4 IEC60695-2-11 / IEC60335-1 GLOW WIRE TEST 750 °C WITHOUT FLAME
- △3 X..CAVITY LOADED WITH CONTACT
O..CAVITY WITHOUT CONTACT
- 2 MATING PART: PCB (WITH FRAMES ACC. RAST 2.5 E.G. PN 964 575/576 TAB HEADER (FOR EXAMPLE: X-1971921/922-Y)
- △1 KEYING RIBS: CUTTING WITH TERMINATION MACHINE POSSIBLE

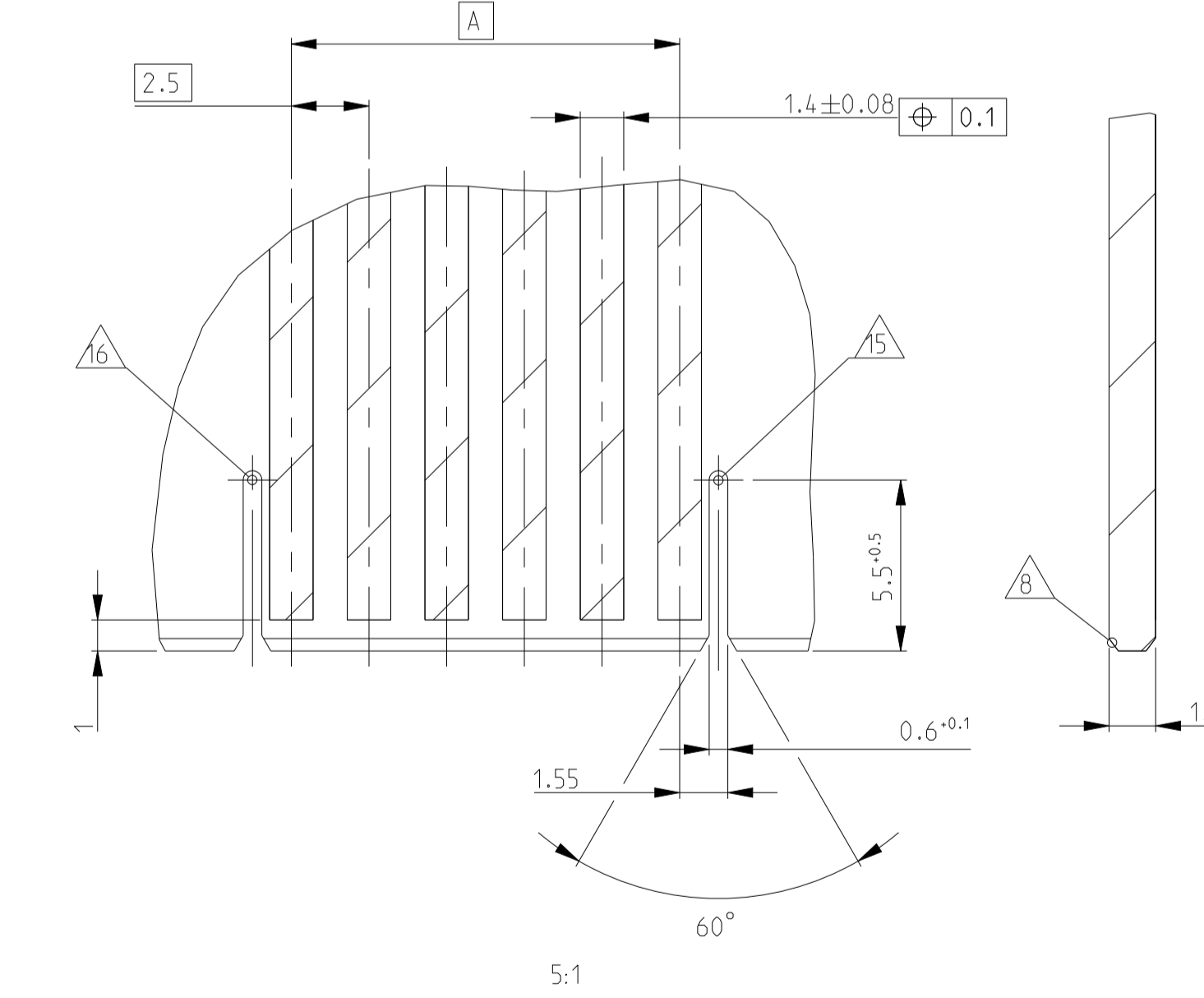
LOC	DIST	REVISIONS			
A1	-	REV	DATE	BY	APPV
		D62	ECR-22-162132	17JAN2023	DC FL
		D63	ECR-22-154280	10MAR2023	SM FL
		D64	ECR-23-170499	31MAR2023	DC FL
		D65	ECR-23-178155	15JUN2023	SP FL



PCB LAYOUT KEYED / CONNECTED ONLY WITH ADDITIONAL FRAME (THICK KEYING)
Leiterplattenanschluss kodiert / nur in Verbindung mit zusätzlichem Rahmen



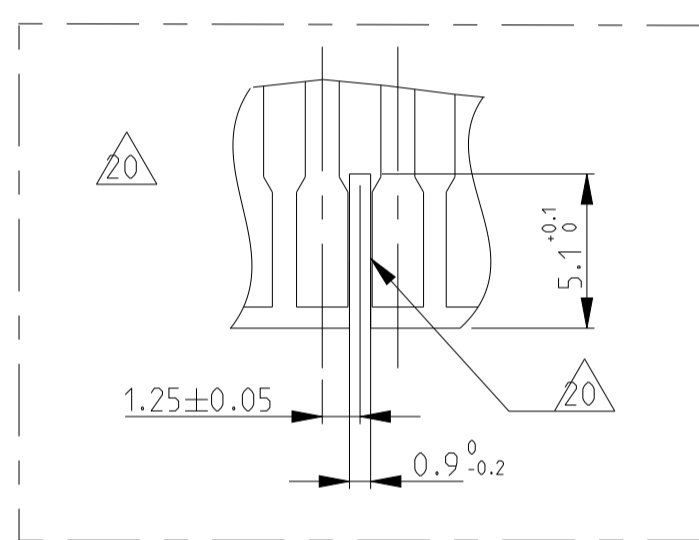
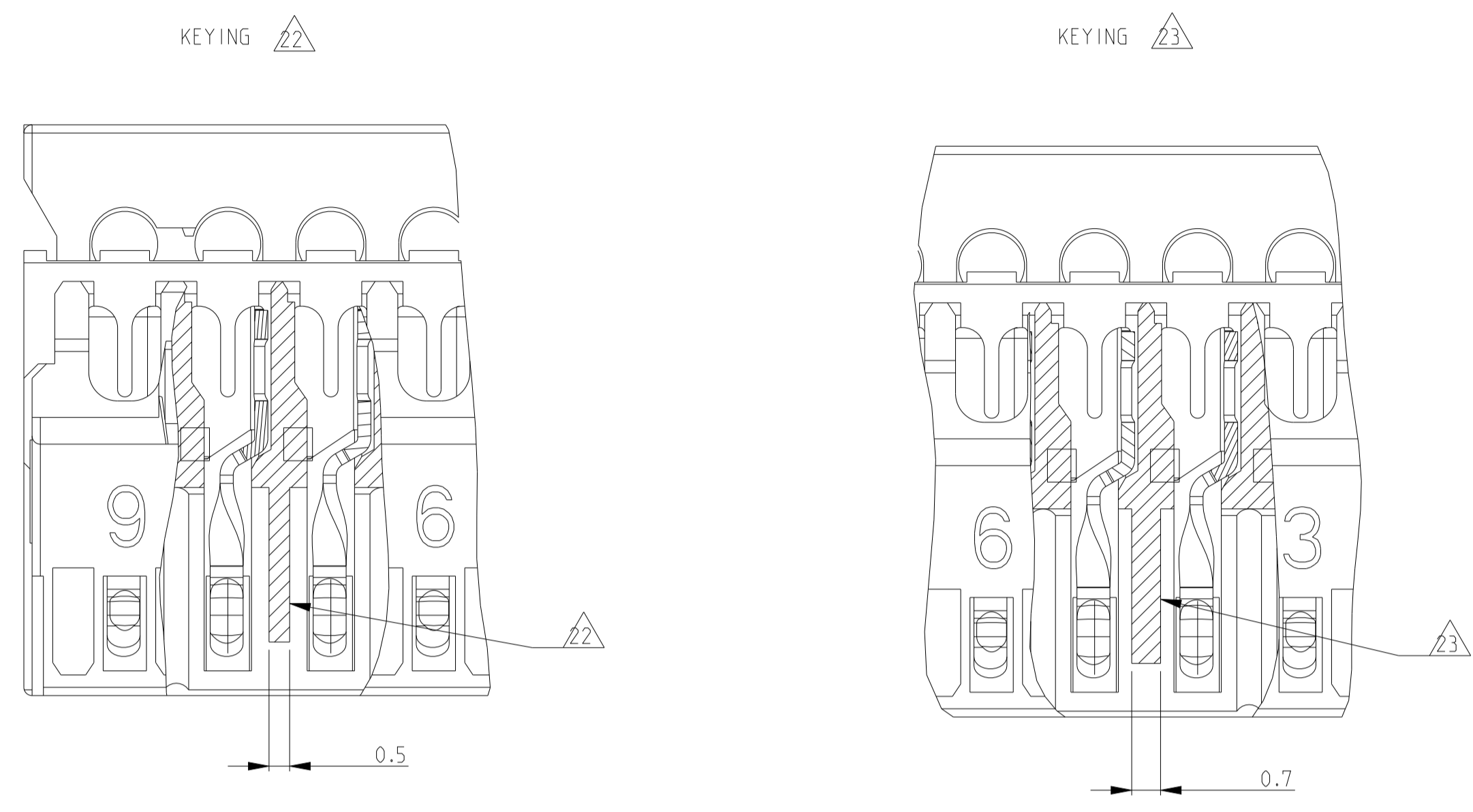
PCB LAYOUT KEYED / CONNECTED ONLY WITH ADDITIONAL FRAME (SLIM KEYING)
Leiterplattenanschluss kodiert / nur in Verbindung mit zusätzlichem Rahmen



OTHER NOTE SEE SHEET 3 OF 3.

THIS DRAWING IS A CONTROLLED DOCUMENT.		OWN: H. Karabiyik 24MAY2002	 TE Connectivity
DIMENSIONS: mm		CHK: B. Schnaubelt 24MAY2002	
TOLERANCES UNLESS OTHERWISE SPECIFIED:		APPV: T. Klenner 24MAY2002	
0 PLC ±0.2 1 PLC ±0.2 2 PLC ±0.2 3 PLC ±0.2 4 PLC ± ANGLES ±°		NAME: AMP DUOPLUG 2.5 MARK II FEMALE CONNECTOR 3-20 POSITION SELECTIVE LOADED	
MATERIAL: -		PRODUCT SPEC: 108-18785	SIZE: A1
		APPLICATION SPEC: 114-18467	CAGE CODE: 00779
		WEIGHT: -	DRAWING NO: C=1534798
		Customer Drawing	RESTRICTED TO: -
		SCALE: 5:1	SHEET: 1 OF 3
			REV: U65

REV. NO.	DATE	BY	CHK	APPV	DESCRIPTION
1					
2					
3					
4					



- △23 KEYING. SPECIAL THICK. BETWEEN POSITION
- △22 KEYING. SPECIAL THIN. BETWEEN POSITION
- △21 SLOT FOR KEYING SPECIAL. BETWEEN POSITION
- △20 RECOMMENDED PCB CUTOFF DIMENSION FOR THE PN X-2304527-Y AND X-2304528-Y

GWEPT 750°C NO FLAME & UL94-VO, SILVER PLATED VERSION																															
Blue															X	0	X	3	5	9.9							5-2369989-3	△1			
															X	0	X										4-2369989-3	△1			
Color Code	20	19	18	17	16	15	14	13	12	11	10	9	8	7	6	5	4	3	2	1	POS. Polzahl	DIM A	DIM B	△12 KEYING	△17 KEYING	△23 KEYING	△22 KEYING	PN Bestell-Nr. △26			
	KAMMERBESTUECKUNG (CAVITIES LOADED) △3																														
																						2	SEE TABLE		CONTACT/Kontakt		CuSn		SILVERED		
																						1	siehe Tabelle		HOUSING/Federleistengeh.		HIGH TEMP PLASTIC		NATUR/Natur		
																						POS.	PN Bestell-Nr.	DESCRIPTION Beschreibung		MATERIAL		COLOUR/FINISH Farbe/Oberflaeche			

PA GF, GWEPT 750°C NO FLAME & UL94-VO, TIN PLATED VERSION																																							
Blue															X	0	X	0	X	0	X	0	X	0	X	0	X	0	X	13	30	34.9						1-2304528-3	
															X	0	X	X	X	X	X	X	X	X	X	X	X	X	X									2304528-3	
															X	X	0	X	0	X	0	X	0	X	0	X	0	X	0	12	27.5	32.4						2304528-2	△1
															X	X	X	0	X	0	X	0	X	0	X	0	X	0	X									3-2304528-1	
Orange															X	0	X	0	X	0	X	0	X	X	X	X	X	X	X	11	25	29.9						2-2304528-1	
Green															X	0	X	0	X	0	X	0	X	0	X	0	X	0	X									1-2304528-1	
															X	X	X	0	X	0	X	0	X	X	X	X	X	X	X	10	22.5	27.4						2-2304528-0	
															X	0	X	0	X	0	X	0	X	0	X	0	X	0	X									1-2304528-0	
GREEN															X	0	X	0	X	0	X	0	X	0	X	0	X	0	X									4-2304527-9	
															X	0	X	0	X	0	X	0	X	0	X	0	X	0	X									3-2304527-9	
															X	0	X	X	0	X	X	0	X	X	0	X	X	0	X	9	20	24.9						2-2304527-9	
Black															X	X	0	X	0	X	X	0	X	X	0	X	X	0	X									1-2304527-9	
Blue															X	X	X	X	X	X	0	X	X	0	X	X	0	X	X									2304527-9	
															X	0	X	0	X	0	X	0	X	0	X	0	X	0	X									4-2304527-7	
															X	X	X	0	X	X	0	X	X	0	X	X	0	X	X									3-2304527-7	
Black															X	X	X	X	0	0	X	X	0	0	X	X	0	0	X	7	15	19.9						2-2304527-7	
Green															X	0	X	0	X	0	X	0	X	0	X	0	X	0	X									1-2304527-7	
Blue															X	0	X	0	X	0	X	0	X	0	X	0	X	0	X									2304527-7	
Red															X	0	X	X	0	X	X	0	X	X	0	X	X	0	X									7-2304527-6	
Red															X	X	0	X	0	X	0	X	0	X	0	X	0	X	0									6-2304527-6	
Black															X	0	X	X	0	X	X	0	X	X	0	X	X	0	X									5-2304527-6	
Green															X	X	0	X	0	X	X	0	X	X	0	X	X	0	X									4-2304527-6	
															0	0	X	X	X	X	X	X	X	X	X	X	X	X	X									3-2304527-6	
															X	0	X	X	0	X	X	0	X	X	0	X	X	0	X									2-2304527-6	
Blue															X	0	X	0	X	X	0	X	X	0	X	X	0	X	X									1-2304527-6	
Red															X	0	X	X	0	X	X	0	X	X	0	X	X	0	X									2304527-6	
Red															X	X	X	0	X	X	0	X	X	0	X	X	0	X	X									4-2304527-5	
Red															X	0	0	0	X	X	0	X	X	0	X	X	0	X	X				3/4					3-2304527-5	
															X	0	0	0	X	X	0	X	X	0	X	X	0	X	X									2-2304527-5	
															X	0	X	0	X	X	0	X	X	0	X	X	0	X	X									1-2304527-5	
Green															X	0	X	0	X	X	0	X	X	0	X	X	0	X	X									2304527-5	
Black															X	X	0	0	X	X	0	0	X	X	0	0	X	X	0	4	7.5	12.4						2304527-4	
Green															X	0	X	X	X	X	X	X	X	X	X	X	X	X	X									9-2304527-3	△1
Red															X	0	X	X	X	X	X	X	X	X	X	X	X	X	X				2/3					8-2304527-3	
Red															X	0	X	X	X	X	X	X	X	X	X	X	X	X	X				1/2					7-2304527-3	
															X	0	X	X	X	X	X	X	X	X	X	X	X	X	X				2/3					6-2304527-3	
Blue															X	0	X	X	X	X	X	X	X	X	X	X	X	X	X									5-2304527-3	
															X	0	X	X	X	X	X	X	X	X	X	X	X	X	X									4-2304527-3	
Black															X	0	X	X	X	X	X	X	X	X	X	X	X	X	X									3-2304527-3	
Red															X	0	X	X	X	X	X	X	X	X	X	X	X	X	X				1/2					2-2304527-3	
Brown															X	0	X	X	X	X	X	X	X	X	X	X	X	X	X									1-2304527-3	
Orange															X	0	X	X	X	X	X	X	X	X	X	X	X	X	X									2304527-3	
Color Code	20	19	18	17	16	15	14	13	12	11	10	9	8	7	6	5	4	3	2	1	POS. Polzahl	DIM A	DIM B	△12 KEYING	△17 KEYING	△23 KEYING	△22 KEYING	PN Bestell-Nr. △26											
	KAMMERBESTUECKUNG (CAVITIES LOADED) △3																																						
																						2	SEE TABLE		CONTACT/Kontakt		CuSn		TINNED/verzinkt										
															1	siehe Tabelle		HOUSING/Federleistengeh.		HIGH TEMP PLASTIC		NATUR/Natur																	
															POS.	PN Bestell-Nr.	DESCRIPTION Beschreibung		MATERIAL		COLOUR/FINISH Farbe/Oberflaeche																		

THIS DRAWING IS A CONTROLLED DOCUMENT.

DIMENSIONS:	TOLERANCES UNLESS OTHERWISE SPECIFIED:	OWN: H. Karabiyik	24MAY2002
mm	0 PLC ±0.2	CHK: B. Schnaubelt	24MAY2002
	1 PLC ±0.2	APPV: T. Klenner	24MAY2002
	2 PLC ±0.2	PRODUCT SPEC	
	3 PLC ±0.2	108-18785	
	4 PLC ±0.2	APPLICATION SPEC	
	ANGLES ±	116-18467	
	FINISH ±	WEIGHT	
MATERIAL		Customer Drawing	

STE TE Connectivity

NAME: AMP DUOPLUG 2.5 MARK II FEMALE CONNECTOR 3-20 POSITION SELECTIVE LOADED

SIZE: A1 CAGE CODE: 00779 C=1534798 DRAWING NO: 100779

RESTRICTED TO: -

SCALE: 10:1 SHEET: 3 OF 3 REV: 065