



# SP30U

## 30 WATT , Universal Input Fully Enclosed Switching Power Supply



### FEATURES

- ▶ UNIVERSAL INPUT (AC85-264V)
- ▶ BUILT-IN OVERVOLTAGE / OVERCURRENT PROTECTION
- ▶ LIGHTWEIGHT CONSTRUCTION
- ▶ METAL CHASSIS WITH COVER
- ▶ COMPACT, LOW-PROFILE PACKAGES
- ▶ 3 YEAR WARRANTY

### SAFETIES / EMI



FCC-B  
EN 55022-B  
VCCI-II

### ELECTRICAL SPECIFICATIONS

All specifications are typical at nominal input, full load.

### INPUT SPECIFICATIONS

Input Voltage.....	AC 85V-264V DC 110V-340V
Input Frequency.....	47 ~ 63 Hz
Input Current.....	0.33 ~ 0.7A
Inrush Current (100/230VAC cold start) .....	13 ~ 35A

### OUTPUT SPECIFICATIONS

Output Voltage.....	See Chart
Output Adjustment.....	± 10%
Efficiency.....	70 ~ 79%
Over-Voltage Protection.....	Zener Limiter
Over-Current Protection.....	Automatic Recovery (105% min)
Ripple and Noise.....	150 mVp-p max.
Hold-Up Time.....	20-180 mS
Line/Load Regulation.....	See Chart
Rise Time.....	100 mS max.
Leakage Current (100/230VAC).....	Vin= 100V      0.5mA max. Vin= 230V      0.75mA max.

### GENERAL SPECIFICATIONS

MTBF .....	>245,000 Hours
Isolation Voltage	
Primary to Secondary.....	3000VAC
Primary to Case.....	1500VAC.
Secondary to Case.....	500VAC.
Isolation Resistance.....	100-Mohms min.

### ENVIRONMENTAL SPECIFICATIONS

Operating Temperature .....	0°-60°C
	Derates linearly 2.5%/°C after 50°C
Cooling.....	Convection
Temperature Coefficient.....	0.02% / °C
Humidity.....	20-85% Rh (non-condensing)
Storage Temperature.....	-20°C + 85°C
Shock Vibration.....	Shock: 20G (3 directions each 3 times) Vibration: 10 ~ 55Hz

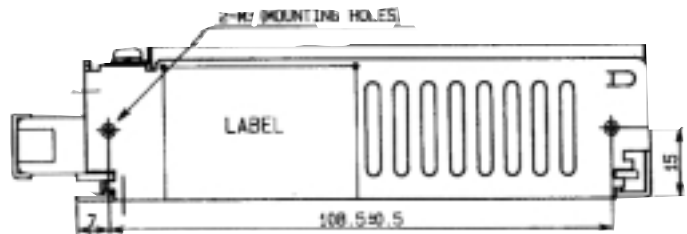
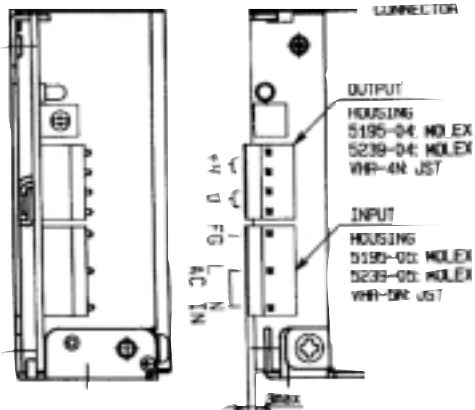
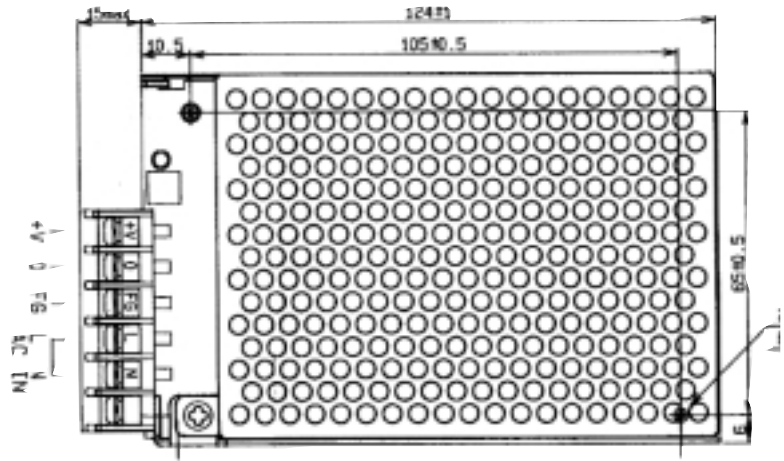
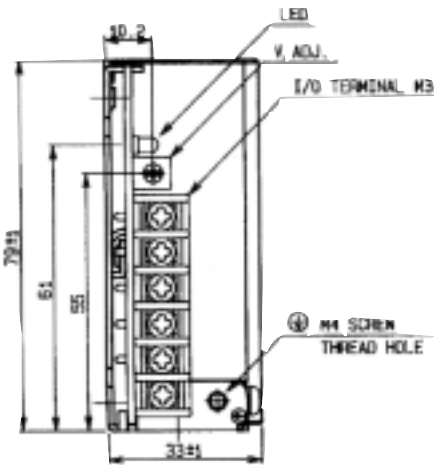
### PHYSICAL SPECIFICATIONS

Metal Enclosed - Terminal Block

# Series

MODEL	OUTPUT VOLTAGE	OUTPUT CURRENT		EFFICIENCY	LINE REGULATION	LOAD REGULATION
		@100V	@230V			
<b>SP30U-03S</b>	3.3 VDC	6.0 A	7.0 A	70%	20 mV max.	40 mV max.
<b>SP30U-05S</b>	5 VDC	6.0 A	7.0 A	72%	20 mV max.	40 mV max.
<b>SP30U-12S</b>	12 VDC	2.6 A	3.0 A	77%	20 mV max.	40 mV max.
<b>SP30U-15S</b>	15 VDC	2.1 A	2.5 A	77%	20 mV max.	40 mV max.
<b>SP30U-24S</b>	24 VDC	1.4 A	1.5 A	78%	30 mV max.	80 mV max.
<b>SP30U-48S</b>	48 VDC	0.7 A	0.8 A	78%	50 mV max.	120 mV max.

## SP30U



**NOTE:**

All specifications typical and nominal / full load and 25°C unless otherwise noted.  
 Mounting screw length should not exceed 0.31 inches or 8 mm.  
 Avoid sustained operation in overload or dead short conditions.  
 Specifications subject to changes without notice.

- No. 6-32 mounting holes standard
- Dimensions in mm
- Terminal block or "pin" type connector available