

3M™ Ejector for CFast™ Card

7G24 Series



- Mounts onto “3M™ Connector for CFast™ Card”
- Modular ‘Snap on’ design allows a shorter assembly time to the connector
- Use with connector for normal card polarization
- Meets the requirement of 10000 durability cycle as per CFA Standard.
- See the Regulatory Information Appendix (RIA) in the “RoHS compliance” section of www.3Mconnector.com for compliance information (RIA E1 & C1 apply)

Date Modified: May 12, 2010

TS-2330-A
Sheet 1 of 3

Physical

Button:

Material: Glass-filled high temperature thermoplastic

Flammability: UL 94V-0

Color: Black

Frame:

Material: Stainless steel

Environmental

Process Rating: Max. 260°C (per J-STD-020C)

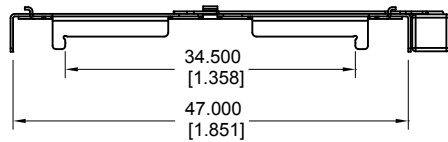
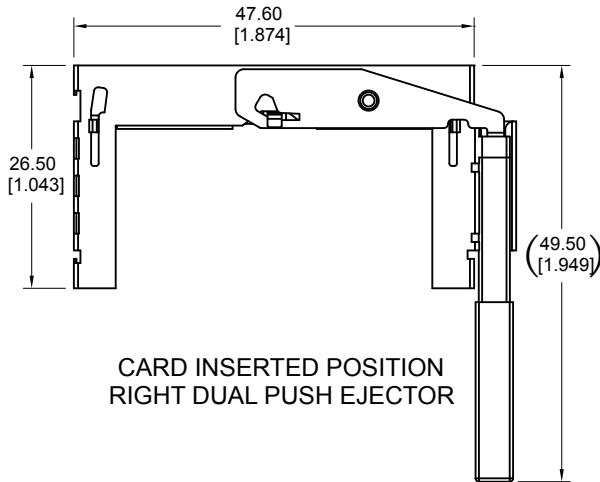
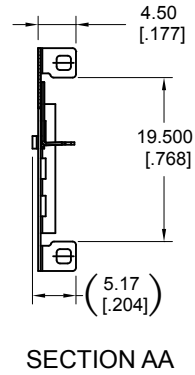
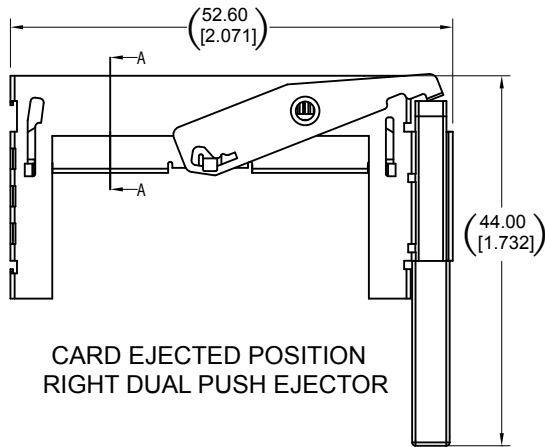


Electronic Solutions Division
Interconnect Solutions
<http://www.3Mconnector.com>

3M is a trademark of 3M Company.
For technical, sales or ordering information call
800-225-5373

3M™ Ejector for CFast™ Card

7G24 Series



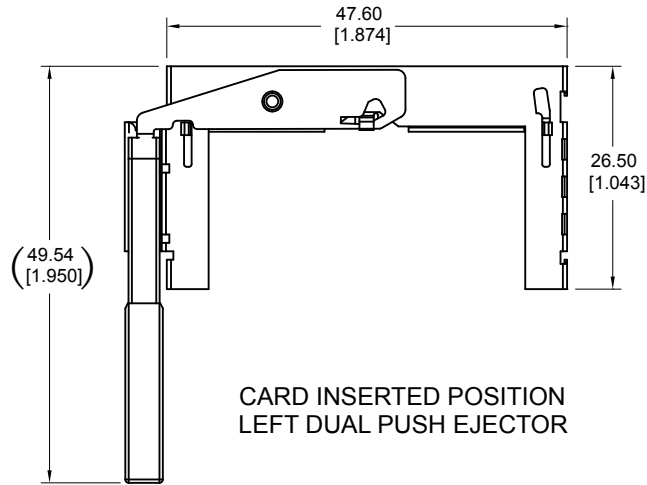
mm [inch]			
Tolerance Unless Noted			
	.0	.00	.000
mm	±.30	±.20	±.10
inch	±.012	±.008	±.004

[] Dimensions for Reference Only

TS-2330-A
Sheet 2 of 3

3M™ Ejector for CFast™ Card

7G24 Series



Ordering Information

7G24 - B X A6 - 05

Accessories Suffix _____
5 = Right Dual Push Ejector
6 = Left Dual Push Ejector

TS-2330-A
Sheet 3 of 3

Important Notice

All statements, technical information, and recommendations related to 3M's products are based on information believed to be reliable, but the accuracy or completeness is not guaranteed. Before using this product, you must evaluate it and determine if it is suitable for your intended application. You assume all risks and liability associated with such use. Any statements related to the product which are not contained in 3M's current publications, or any contrary statements contained on your purchase order shall have no force or effect unless expressly agreed upon, in writing, by an authorized officer of 3M.

Warranty; Limited Remedy; Limited Liability.

This product will be free from defects in material and manufacture for a period of one (1) year from the time of purchase. **3M MAKES NO OTHER WARRANTIES INCLUDING, BUT NOT LIMITED TO, ANY IMPLIED WARRANTY OF MERCHANTABILITY OR FITNESS FOR A PARTICULAR PURPOSE.** If this product is defective within the warranty period stated above, your exclusive remedy shall be, at 3M's option, to replace or repair the 3M product or refund the purchase price of the 3M product. **Except where prohibited by law, 3M will not be liable for any indirect, special, incidental or consequential loss or damage arising from this 3M product, regardless of the legal theory asserted.**

**3M Electronics Solutions Division**

6801 River Place Blvd.
Austin, TX 78726-9000
U.S.A.
1-800-225-5373
www.3Mconnector.com

Please recycle. Printed in USA.
© 3M 2010. All rights reserved.
RIA-2217B-E

3M is a trademark of 3M Company.