

LH4002 Wideband Video Buffer

General Description

The LH4002 is a high speed voltage follower designed to drive video signals from DC up to 200 MHz. At voltage supplies of $\pm 5V$, the LH4002 will provide up to 40 mA into 50Ω at slew rates in excess of $1000 V/\mu s$.

The device is intended to fulfill a wide range of high speed applications including video distribution, impedance transformation, and load isolation. It is also suitable for use in current booster applications within an op amp loop. This allows the output current capability of existing op amps to be increased.

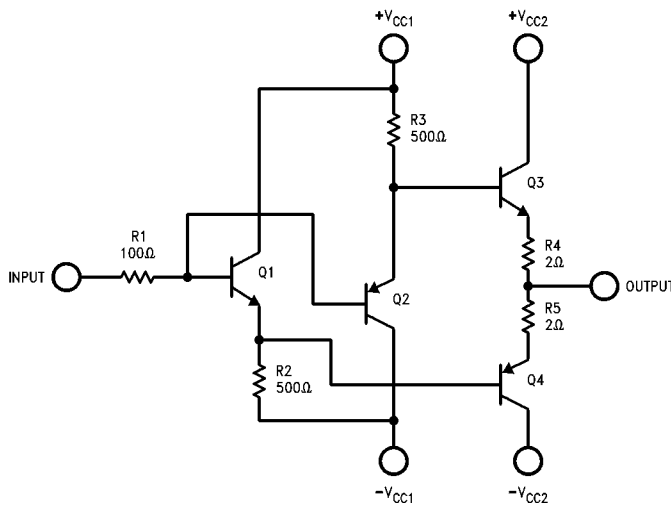
Features

- DC to 200 MHz Bandwidth with $V_S = \pm 5V$
- $1250 V/\mu s$ Slew Rate into 50Ω
- 150 MHz Bandwidth with $V_S = \pm 5V$, $R_L = 50\Omega$ and Voltage Swing = $2 V_{P-P}$

Applications

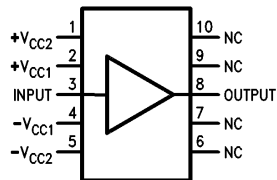
- Wideband Amplifier Buffer
- Wideband Line Driver

Schematic and Connection Diagrams



TL/K/8686-15

Dual-In-Line Package



TL/K/8686-2

Top View

Order Number LH4002CN
See NS Package Number N10A

Absolute Maximum Ratings

If Military/Aerospace specified devices are required, please contact the National Semiconductor Sales Office/Distributors for availability and specifications.

Supply Voltage, V_S	$\pm 6V$
Input Voltage Range, V_{IN}	$\pm V_S$
Continuous Output Current, I_O	$\pm 60\text{ mA}$
Storage Temperature Range, T_{STG}	-65°C to $+150^\circ\text{C}$

Operating Temperature Range, T_A	-25°C to $+85^\circ\text{C}$
LH4002C	
Junction Temperature, T_J	150°C
Lead Temperature (Soldering, 10 sec)	300°C
ESD rating is to be determined.	

DC Electrical Characteristics $V_{CC} = \pm 5V$, $T_{min} \leq T_A \leq T_{max}$ unless otherwise stated.

Symbol	Parameter	Conditions	Min	Typ	Max	Units
V_{OS}	Input Offset Voltage	$T_A = T_J = 25^\circ\text{C}$ $R_S = 150\Omega$, $R_L = 50\Omega$		20	50	mV
I_B	Input Bias Current	$R_S = 1\text{ k}\Omega$, $R_L = 50\Omega$		100	200	μA
A_V	DC Voltage Gain	$R_S = 10\text{ k}\Omega$, $R_L = 1.0\text{ k}\Omega$, $V_{IN} = \pm 2V$	0.95	0.97		V/V
V_O	Output Voltage Swing	$R_S = 150\Omega$, $V_{IN} = \pm 2.5V$, $R_L = 1\text{ k}\Omega$	± 2.2	± 2.4		V
		$T_A = 25^\circ\text{C}$, $R_L = 50\Omega$	± 2.0	± 2.2		V
I_S	Supply Current	$R_S = 10\text{ k}\Omega$, $V_{IN} = 0V$, $R_L = 1\text{ k}\Omega$, $T_A = T_J = 25^\circ\text{C}$		20	35	mA
R_{OUT}	Output Resistance	$R_S = 10\text{ k}\Omega$, $R_L = 50\Omega$		6	10	Ω
R_{IN}	Input Resistance	$R_S = 10\text{ k}\Omega$, $R_L = 50\Omega$	10	18		$\text{k}\Omega$

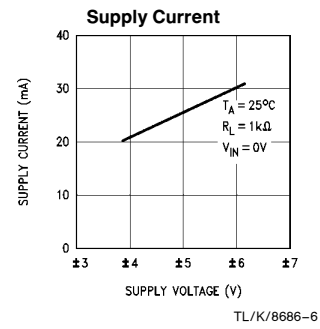
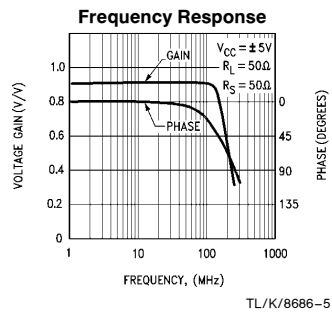
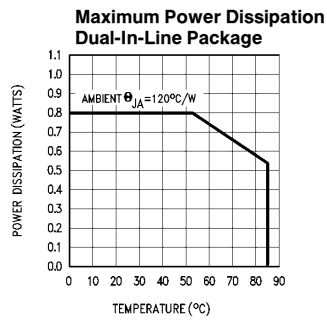
AC Electrical Characteristics $V_{CC} = \pm 5V$, $T_A = 25^\circ\text{C}$.

Symbol	Parameter	Conditions	Min	Typ	Max	Units
S_R	Slew Rate	$R_L = 50\Omega$, $R_S = 50\Omega$ $V_{IN} = \pm 2V$	1000	1250		$V/\mu\text{s}$
f_{3dB}	Bandwidth, -3 dB (Note 2)	$R_S = 50\Omega$, $R_L = 50\Omega$, $V_{OUT} = 4V_{P-P}$		125		MHz
		$V_{OUT} = 2V_{P-P}$	100	150		MHz
		$V_{OUT} = 100\text{ mV}_{P-P}$		200		MHz
	Phase Non-Linearity	$BW = 1.0\text{--}20\text{ MHz}$		2.0		degrees
t_r	Rise Time	$\Delta V_{IN} = 0.5V$		3		ns
t_d	Propagation Delay	$\Delta V_{IN} = 0.5V$		1.2		ns
THD	Harmonic Distortion	$f = 1\text{ kHz}$		0.1		%

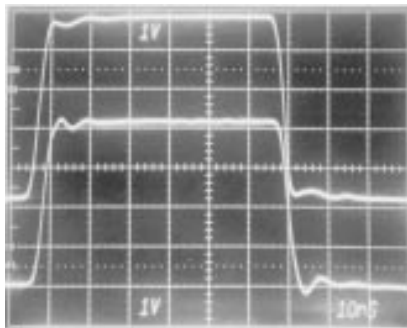
Note 1: Under normal operating conditions $+V_{CC1}$ and $+V_{CC2}$ should be connected together, and $-V_{CC1}$ and $-V_{CC2}$ should be connected together.

Note 2: Guaranteed by design. This parameter is sample tested.

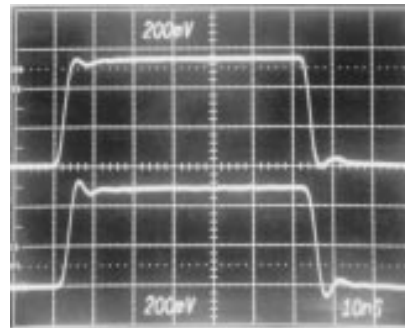
Typical Performance Characteristics



Pulse Response

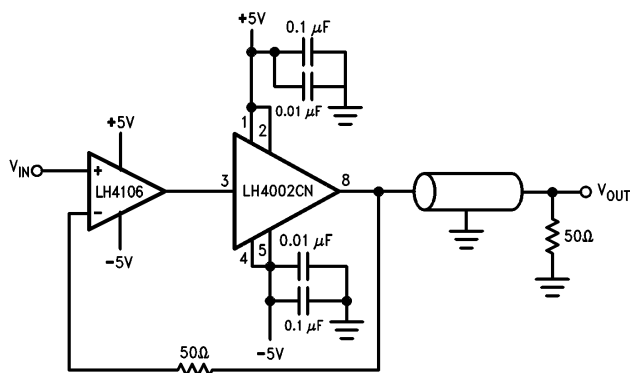


TL/K/8686-7



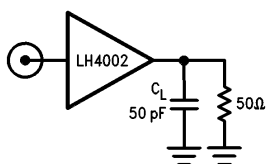
TL/K/8686-8

Typical Applications



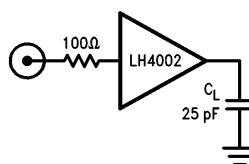
TL/K/8686-11

FIGURE 1. Wideband Unity Gain Amplifier Using LH4002CN



TL/K/8686-9

FIGURE 2. Compensation for Capacitive Loads



TL/K/8686-10

FIGURE 3. Compensation for Capacitive Loads

Applications Information

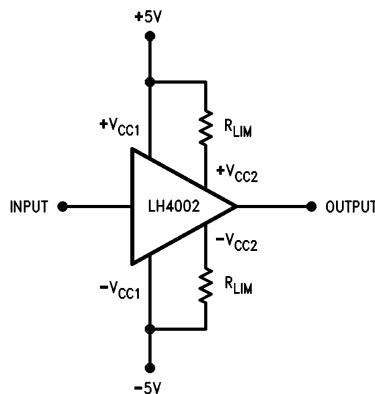
The high speed performance of the LH4002 can only be realized by taking certain precautions in circuit layout and power supply decoupling. Low inductance ceramic chip or disc power supply decoupling capacitors of 0.01 μF in parallel with 0.1 μF should be connected with the shortest practical lead length between device supply leads and a ground plane. Failure to follow these rules can result in oscillations. When driving a capacitive load such as inputs to flash converters, the circuits in *Figure 2* and *3* can be used to minimize the amount of overshoot and ringing at the outputs. *Figure 2* indicates that a 50 Ω should be placed in parallel with the load and *Figure 3* recommends that a 100 Ω resistor be placed in series with the input to the LH4002.

Short Circuit Protection

In order to optimize transient response and output swing, output current limits have been omitted from the LH4002. Short circuit protection may be added by inserting appropriate value resistors between + V_{CC1} and + V_{CC2} pins and between - V_{CC1} and - V_{CC2} pins as illustrated in *Figure 4*. Resistor values may be predicted by:

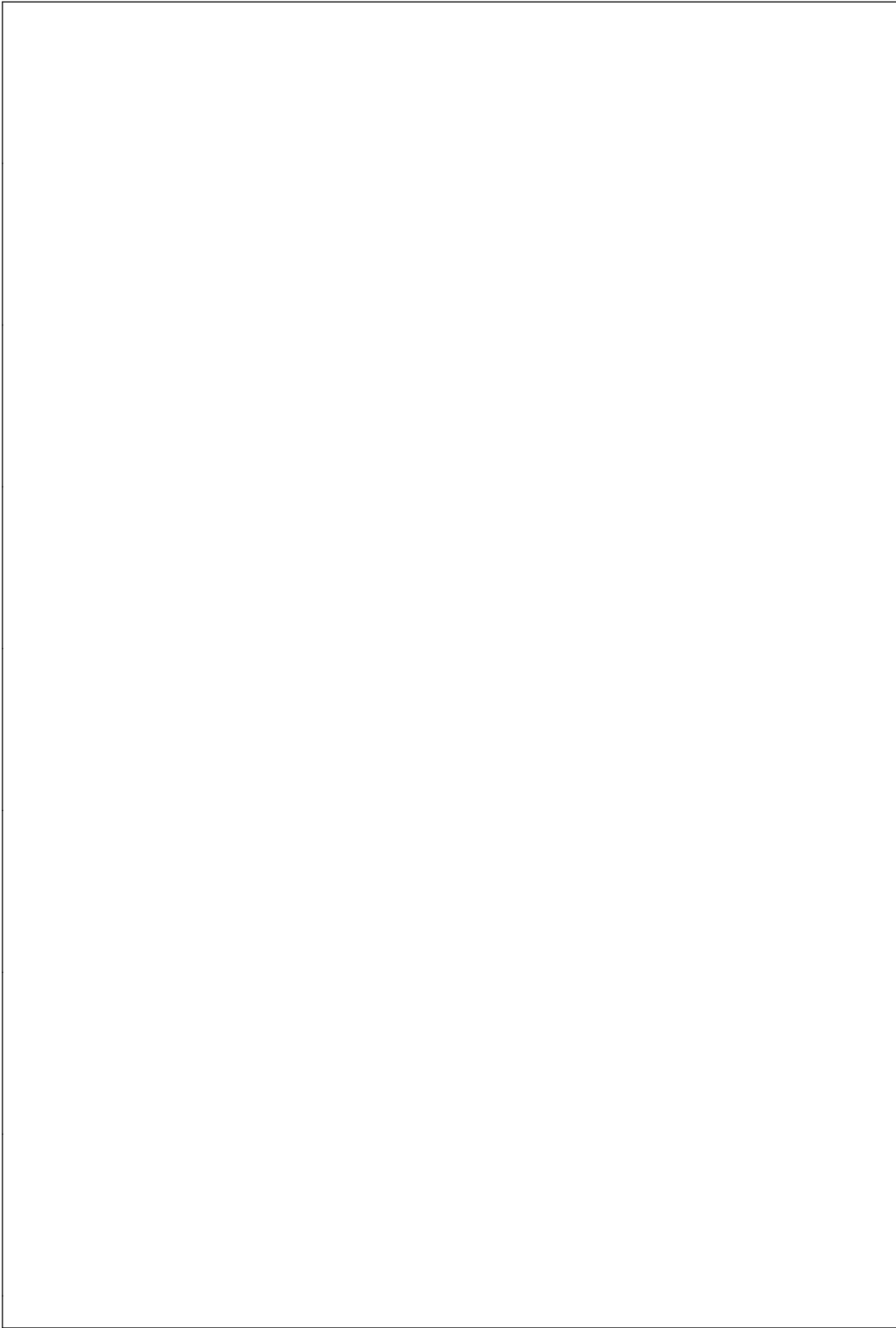
$$R_{LIM} = \frac{+V_{CC1}}{I_{SC}} = \frac{-V_{CC1}}{I_{SC}}$$

where $I_{SC} \leq 100 \text{ mA}$. The inclusion of 50 Ω limiting resistors in the collectors of the output transistors limits the short circuit current to approximately 100 mA without reducing the output voltage swing.



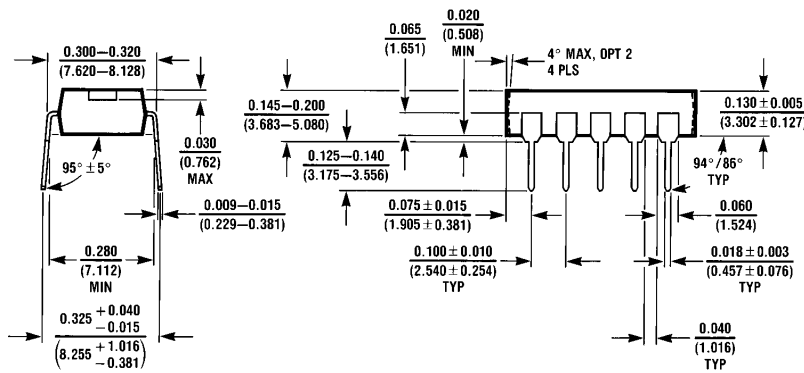
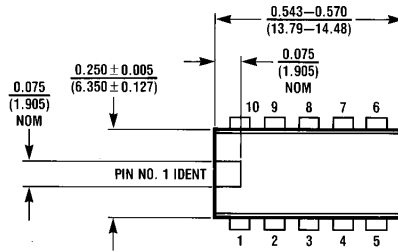
TL/K/8686-20

FIGURE 4. LH4002 Using Resistor Current Limiting



Physical Dimensions inches (millimeters)

Lit. # 106409



N10A (REV A)

Molded Dual-In-Line Package (N)
Order Number LH4002CN
NS Package Number N10A

LIFE SUPPORT POLICY

NATIONAL'S PRODUCTS ARE NOT AUTHORIZED FOR USE AS CRITICAL COMPONENTS IN LIFE SUPPORT DEVICES OR SYSTEMS WITHOUT THE EXPRESS WRITTEN APPROVAL OF THE PRESIDENT OF NATIONAL SEMICONDUCTOR CORPORATION. As used herein:

1. Life support devices or systems are devices or systems which, (a) are intended for surgical implant into the body, or (b) support or sustain life, and whose failure to perform, when properly used in accordance with instructions for use provided in the labeling, can be reasonably expected to result in a significant injury to the user.
2. A critical component is any component of a life support device or system whose failure to perform can be reasonably expected to cause the failure of the life support device or system, or to affect its safety or effectiveness.



National Semiconductor Corporation
 1111 West Bardin Road
 Arlington, TX 76017
 Tel: 1(800) 272-9959
 Fax: 1(800) 737-7018

National Semiconductor Europe
 Fax: (+49) 0-180-530 85 86
 Email: cnjwge@tevm2.nsc.com
 Deutsch Tel: (+49) 0-180-530 85 85
 English Tel: (+49) 0-180-532 78 32
 Français Tel: (+49) 0-180-532 93 58
 Italiano Tel: (+49) 0-180-534 16 80

National Semiconductor Hong Kong Ltd.
 19th Floor, Straight Block,
 Ocean Centre, 5 Canton Rd.
 Tsimshatsui, Kowloon
 Hong Kong
 Tel: (852) 2737-1600
 Fax: (852) 2736-9960

National Semiconductor Japan Ltd.
 Tel: 81-043-299-2309
 Fax: 81-043-299-2408

National does not assume any responsibility for use of any circuitry described, no circuit patent licenses are implied and National reserves the right at any time without notice to change said circuitry and specifications.