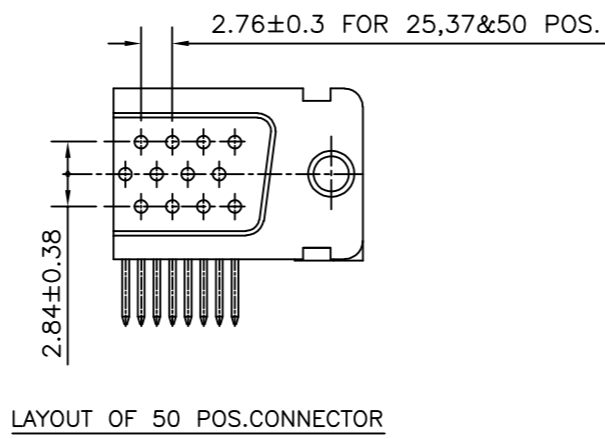
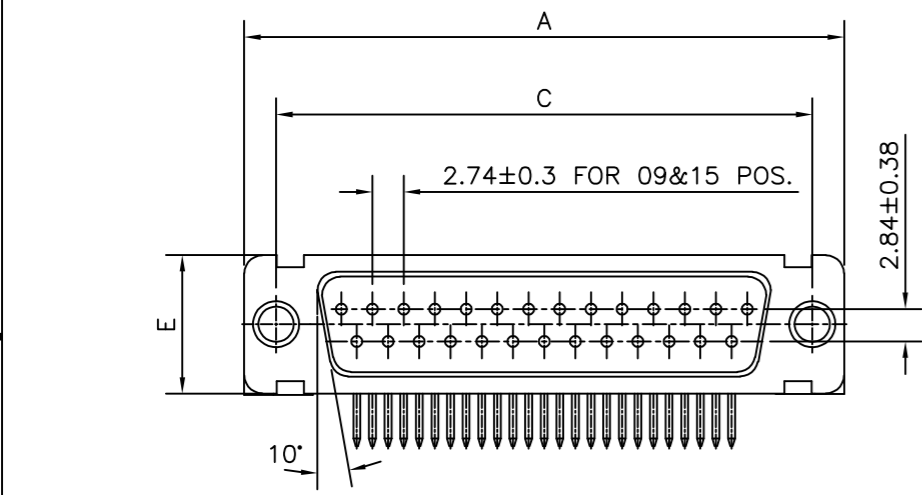
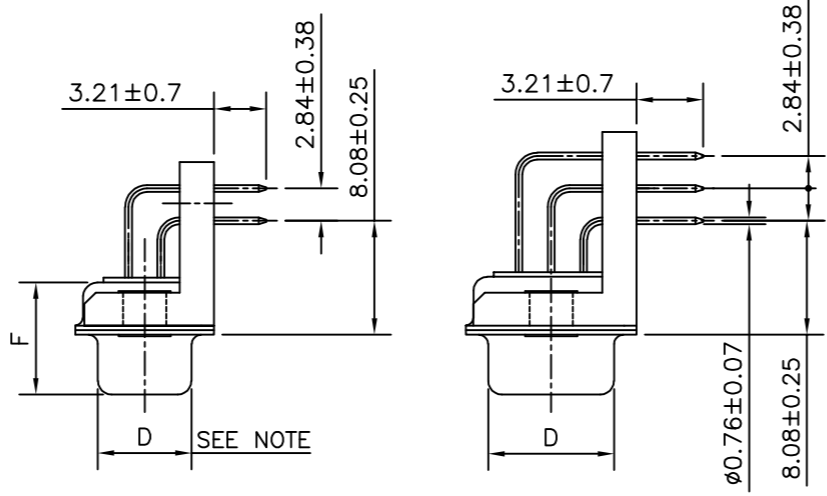
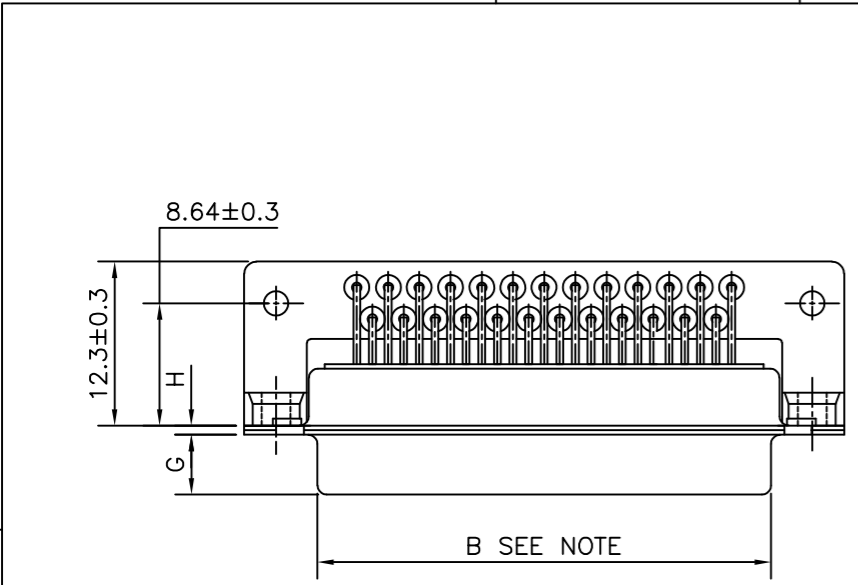




Amphenol
FCI

© 2016 AFCl

© 2016 AFCl



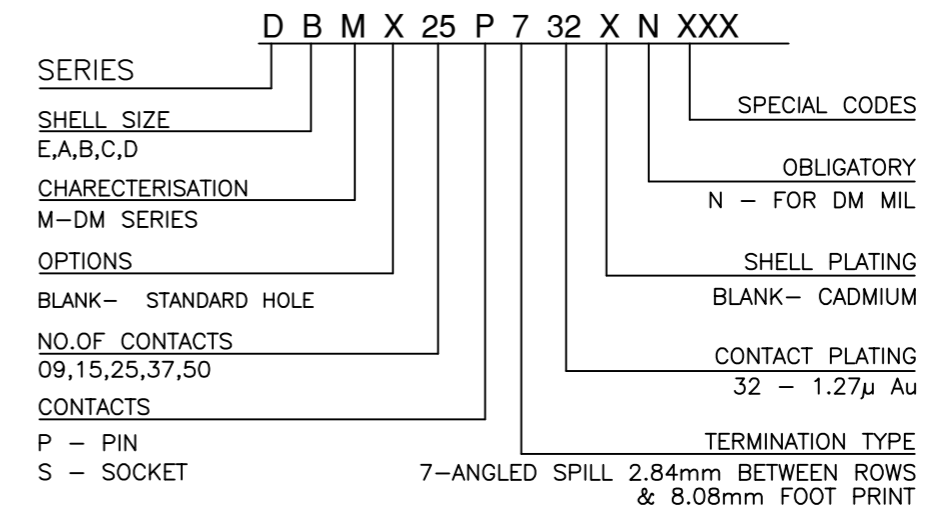
50	P	66.65	52.68	60.99	10.95	14.99	10.57	5.82	0.8
	S	66.65	52.30	60.99	10.62	14.99	10.64	5.05	0.8
37	P	68.94	55.30	63.37	8.23	12.17	10.57	5.82	0.8
	S	68.94	54.71	63.37	7.77	12.17	10.64	5.05	0.8
25	P	52.65	38.84	46.91	8.23	12.17	10.57	5.69	0.8
	S	52.65	38.25	46.91	7.77	12.17	10.64	5.05	0.8
15	P	38.76	25.12	33.20	8.23	12.17	10.46	5.69	0.8
	S	38.76	24.79	33.20	7.77	12.17	10.64	5.05	0.8
09	P	30.43	16.79	24.87	8.23	12.17	10.46	5.69	0.8
	S	30.43	16.21	24.87	7.77	12.17	10.64	5.05	0.8
SHELL SIZE	A-0	+0.76	+1.25	+0.25	+0.26	+0.76	+0.51	+1.25	+0.22
	B-0								
	C-0								
	D-0								
	E-0								
	F-0								
	G-0								
	H-0								

NOTE:-INSIDE DIMENSIONS OF MALE AND OUTSIDE DIMENSIONS OF THE FEMALE CONNECTOR.

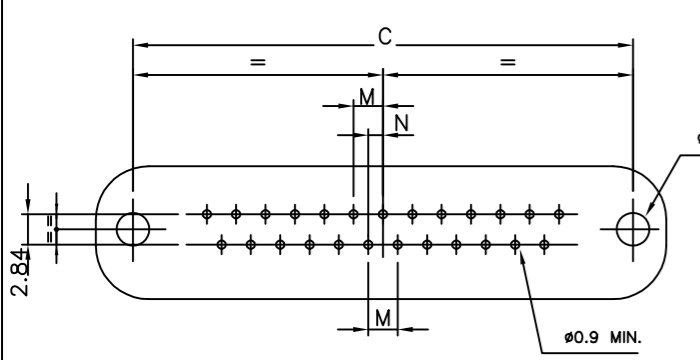
TECHNICAL SPECIFICATIONS

SHELLS	:	CADMIUM PLATED STEEL
INSULATOR MATERIAL	:	SELF EXTINGUISHING THERMOPLASTIC- TO UL CLASS 94 V0
CONTACTS DIA ON ACTIVE AREA	:	Ø1 MM.
CONTACTS MATERIAL	:	COPPER ALLOY
CONTACT PLATING	:	GOLD OVER NICKEL
OPERATING TEMPERATURE	:	-55°C +125°C
OPERATING CURRENT	:	7.5 A PER CONTACT
CONTACT RESISTANCE	:	≤7.3mΩ
INSULATION RESISTANCE	:	≥5000 MΩ
MAXIMUM VOLTAGE	:	1000 V.r.m.s
MECHANICAL ENDURANCE	:	500 MATINGS
DAMP HEAT	:	56 DAYS

ORDERING INFORMATION

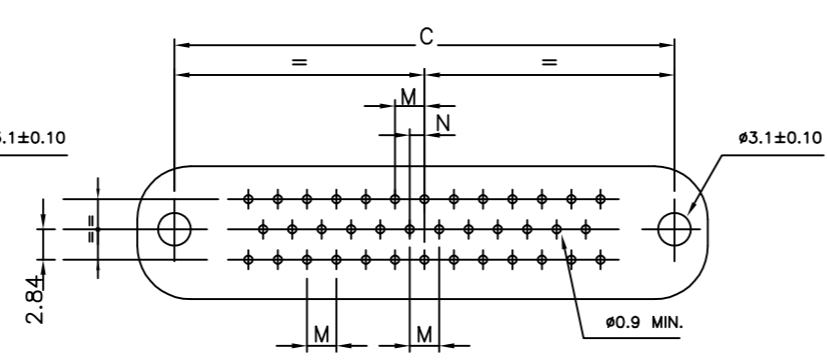


PCB DRILLING DETAIL - 09 TO 37 POS



M= 2.74 FOR 09&15 POS
2.76 FOR 25,37&50 POS

PCB DRILLING DETAIL - 50 POS



N= 1.37 FOR 09&15 POS
1.38 FOR 25,37&50 POS

mat'l. code		surface		tolerance		projection		product family	
-		ISO 1302 ✓		ISO 406 ISO 1101				D-SUB	
ltr		ecn no		dr		date		title	
F		ELX-I-38410		GM		18-09-2020		D-SUB A/S US VERSION (DM WITH MONO BLOCK BRACKET)	
								dwg no	
								sheet 1 of 1	
								size	
								A3	
								type	
								Product Customer Drawing	
sheet index		revision		F					
		sheet		1					