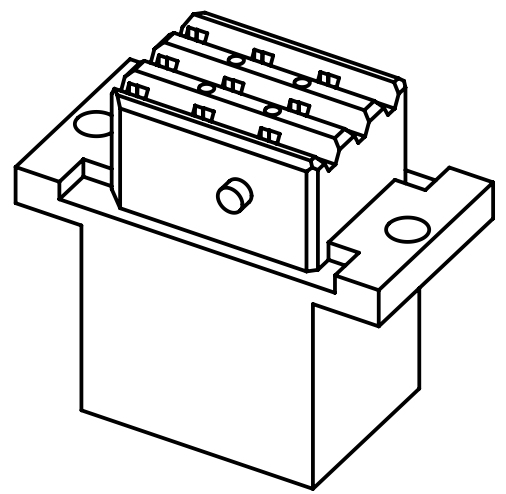
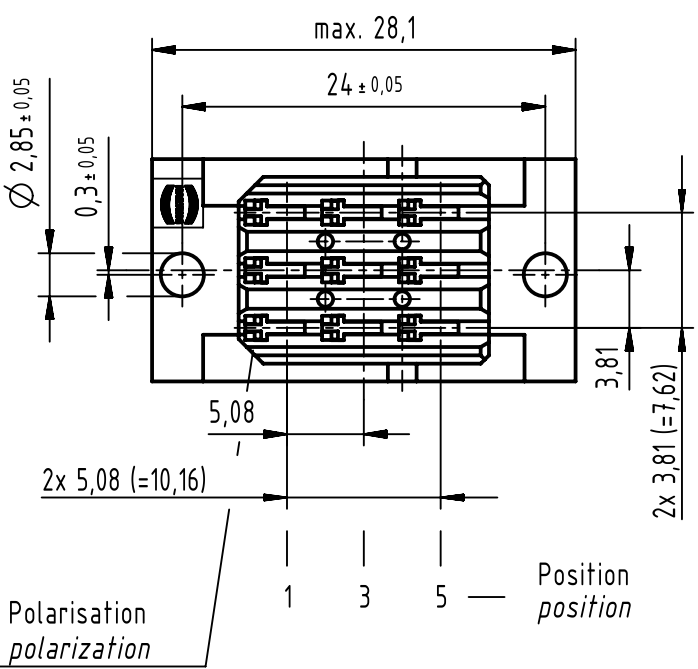
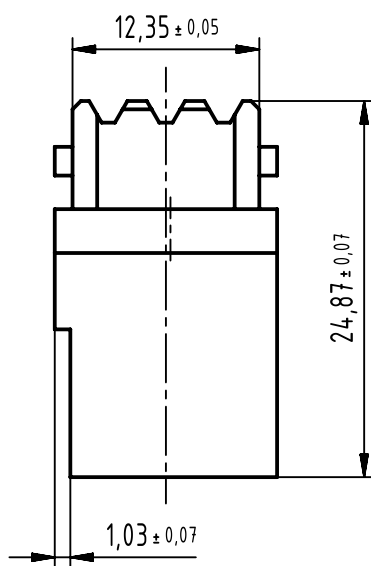
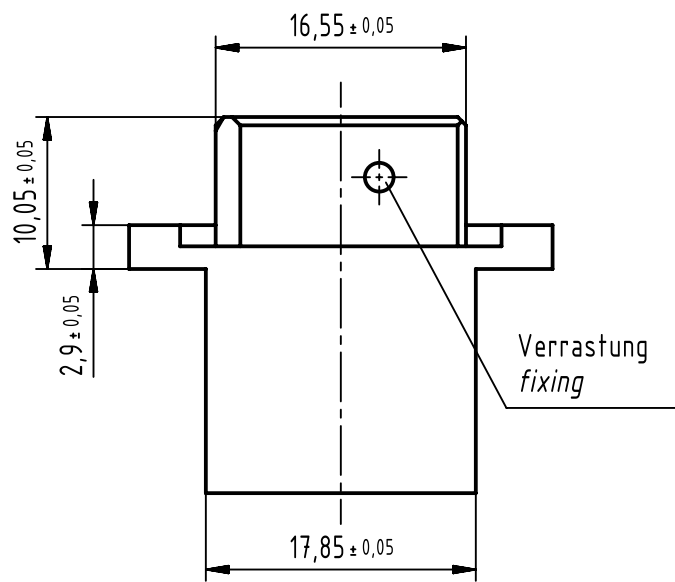


A

B

C

D



Reihe  
row  
|  
— d  
— b  
— z

	All rights reserved Department EC PD - DE	All Dimensions in mm Original Size DIN A4			Scale 2:1	Free size tol. complementary IEC 60603-2	Ref. Sub. TB 09062093201 Mod. 36200 v. 16.12.10
		Created by SCHRAMMEF	Inspected by DAHMS	Standardisation HOFFMANN	Date 2013-06-12	State Final Release	
HARTING Electronics GmbH D-32339 Espelkamp		Title DIN Power type F9 female crimp				Doc-Key / ECM-Nr. 100123117/UGD/003/B 500000062976	
		Type TB	Number 09062093201			Rev. B	Page 1/1