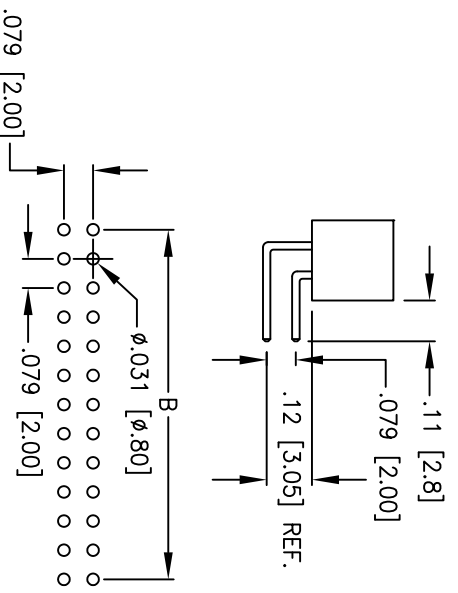
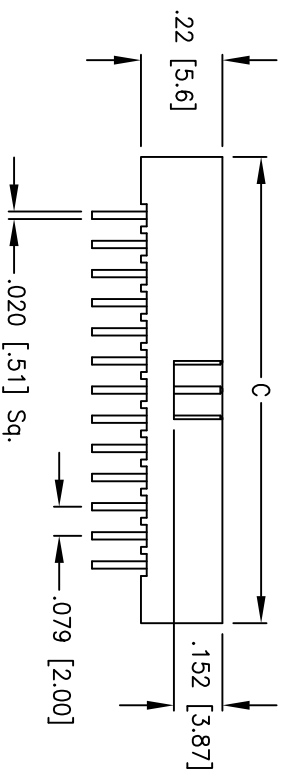
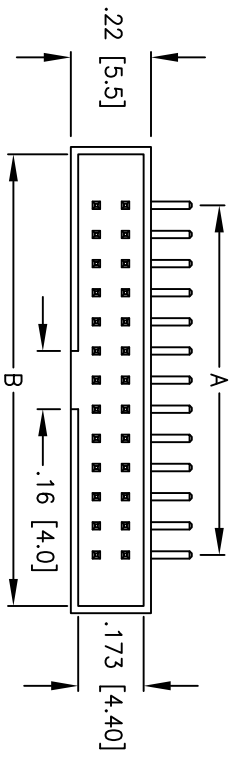


Rev	AWO #	Description	Date	Appr
-	7466	RELEASED	01/25/07	

APPROVED: \_\_\_\_\_ TITLE: \_\_\_\_\_  
 DATE: \_\_\_\_\_

POSITION	A	B	C
10	.315 [8.00]	.633 [16.08]	.673 [17.10]
12	.394 [10.00]	.712 [18.08]	.752 [19.10]
14	.472 [12.00]	.791 [20.08]	.831 [21.10]
16	.551 [14.00]	.869 [22.08]	.909 [23.10]
20	.709 [18.00]	1.027 [26.08]	1.067 [27.10]
26	.945 [24.00]	1.263 [32.08]	1.303 [33.10]
34	1.260 [32.00]	1.578 [40.08]	1.618 [41.10]
40	1.496 [38.00]	1.814 [46.08]	1.854 [47.10]
44	1.654 [42.00]	1.972 [50.08]	2.012 [51.10]
50	1.890 [48.00]	2.208 [56.08]	2.248 [57.10]
68	2.598 [66.00]	2.917 [74.08]	2.957 [75.10]



**RECOMMENDED PCB LAYOUT**  
 Tolerances: ±.004 [±.10]

**SPECIFICATIONS:**

Material:

Insulator: PBT, glass reinforced, rated UL 94V-0

Insulator color: Black

Contacts: Brass

Plating:

Gold Flash over Nickel underplate overall

Electrical:

Operating voltage: 250 VAC max

Current rating: 1 Amp max

Contact resistance: 20 mohms max

Insulation resistance: 5000 Mohms min

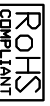
Dielectric withstanding voltage: 1000 VAC for 1 minute

Temperature Rating:

Operating temperature: -55C to +105C

Environmental:

Lead free, RoHS compliant.



UNLESS OTHERWISE SPECIFIED  
 ALL DIMENSIONS ARE INCHES [MM]  
 TOLERANCES: EXCEPT AS NOTED  
 INCHES: .X ±.10 Ø.X ±.015  
 .XX ±.020 Ø.XX ±.010  
 .XXX ±.015 Ø.XXX ±.010

**ADAM TECH**  
 909 Rahway Avenue, Union, NJ 07083  
 Phone: 908-687-5000 Fax: 908-687-5710

APPROVALS		DATE	TITLE	SIZE	PART NO.	SCALE:	SHEET
DRAWN	BW	01/25/07	2.0mm DUAL ROW, HORIZONTAL MOUNT BOX HEADER, GOLD PLATED	X	ZBHR-XX-HUA	NTS	1 OF 1
CHECKED							
APPROVED							

6 5 4 3 2 1