

THIS DRAWING IS UNPUBLISHED. RELEASED FOR PUBLICATION NOV ,2005.

© COPYRIGHT 2005 BY TYCO ELECTRONICS CORPORATION. ALL RIGHTS RESERVED.

LOC	DIST	REVISIONS					
E	B	P	LTR	DESCRIPTION	DATE	DWN	APVD
		C		ECR-05-016219	24NOV05	JMS	FWK

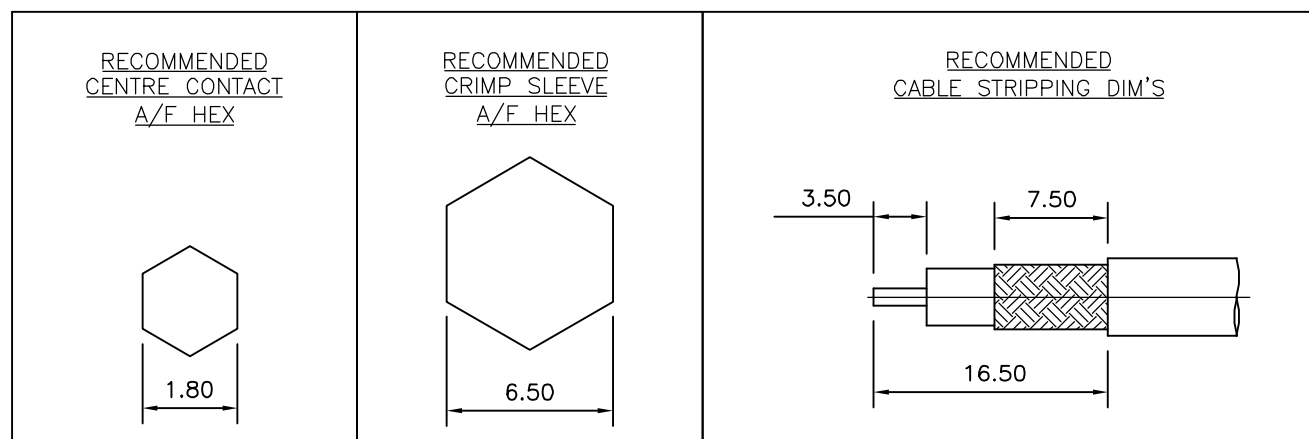
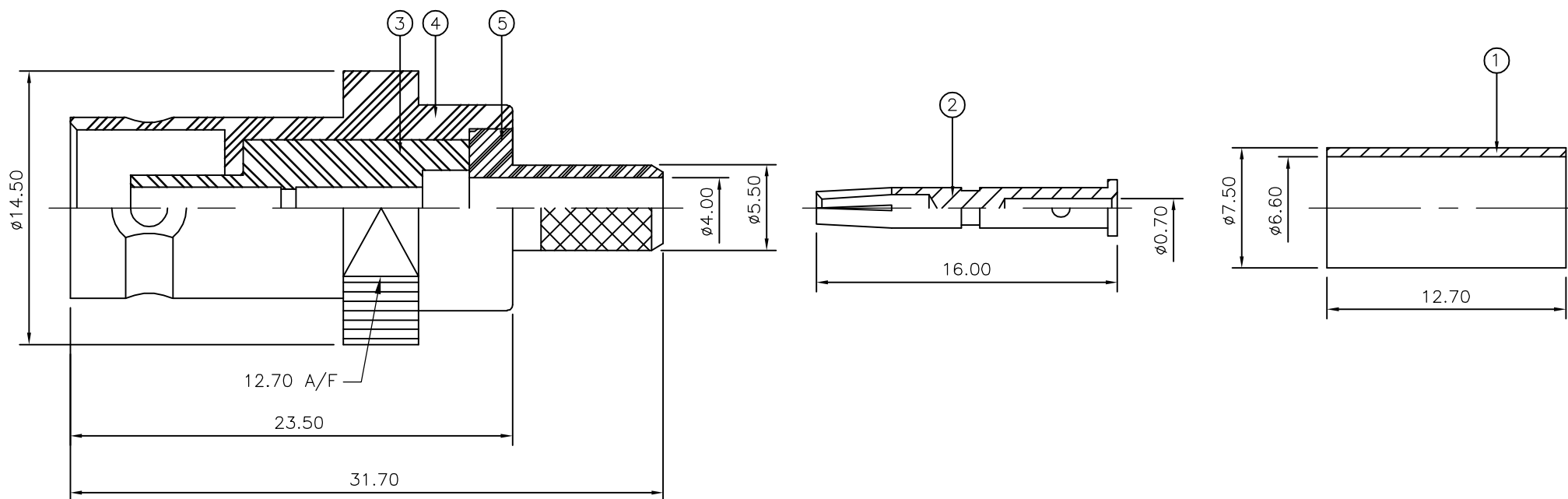
NOTES:

- ① PACK IN ACCORDANCE WITH AMP SPEC 107-3275
- ② 100 TRAY PACK IN ACCORDANCE WITH AMP SPEC 107-3275
- ③ Au PLATING
- ④ Ni PLATING
- 5 HAND TOOL : 9-1478240-0
- 6 DIE SET : 9-1478242-0
- 7 ELECTRICAL CHARACTERISTICS

FREQUENCY RANGE:	DC - 2 GHz
NOMINAL IMPEDANCE:	75 Ohm
INSULATION RESISTANCE:	5000 MOhm
WORKING VOLTAGE:	500 Volts RMS at Sea Level
DIELECTRIC WITHSTAND VOLTAGE:	1500 Volts RMS Max
CONTACT RESISTANCE:	
CENTRE CONTACT:	1.50 mOhm Max
OUTER CONTACT:	0.20 mOhm Max
VSWR @ 2GHz:	1.20:1 Max
INSERTION LOSS dB @ x 2 GHz:	0.20 Max
- 8 MECHANICAL CHARACTERISTICS

COUPLING RETENTION FORCE:	N/A
CABLE RETENTION FORCE:	170N Min
DURABILITY:	500 Cycles Min
- 9 ENVIRONMENTAL CHARACTERISTICS

OPERATING TEMPERATURE:	-65 to +165 DegC
------------------------	------------------



QTY	UNIT	MATERIAL	DESCRIPTION	ITEM
1	1	BRASS	CHASSIS	5
1	1	BRASS	BODY	4
1	1	PTFE	INSULATION	3
1	1	BRASS	CONTACT	2
1	1	BRASS	FERRULE	1
6--0	1--0	MATERIAL	DESCRIPTION	ITEM

THIS DRAWING IS A CONTROLLED DOCUMENT.		DWN J.SANDWELL 24NOV05	Tyco Electronics Corporation Bideford EX39 4HE													
DIMENSIONS: mm		CHK S.PARLOW 24NOV05														
TOLERANCES UNLESS OTHERWISE SPECIFIED:		APVD F.WHEELER-KING 24NOV05	NAME BNC STRAIGHT JACK CRIMP 75 OHM RG59B/U, 62A/U, 140/U, 210/U, URM90, KX6A, KX25, KX52, KX53													
<table border="0"> <tr><td>0 PLC</td><td>± -</td></tr> <tr><td>1 PLC</td><td>± -</td></tr> <tr><td>2 PLC</td><td>± -</td></tr> <tr><td>3 PLC</td><td>± -</td></tr> <tr><td>4 PLC</td><td>± -</td></tr> <tr><td>ANGLES</td><td>± -</td></tr> </table>		0 PLC	± -	1 PLC	± -	2 PLC	± -	3 PLC	± -	4 PLC	± -	ANGLES	± -	PRODUCT SPEC 108-3435	SIZE A3	CAGE CODE 00779
0 PLC	± -															
1 PLC	± -															
2 PLC	± -															
3 PLC	± -															
4 PLC	± -															
ANGLES	± -															
MATERIAL SEE TABLE		FINISH -	DRAWING NO 1337443	RESTRICTED TO -												
CUSTOMER DRAWING			SCALE NTS	SHEET 1 OF 1												