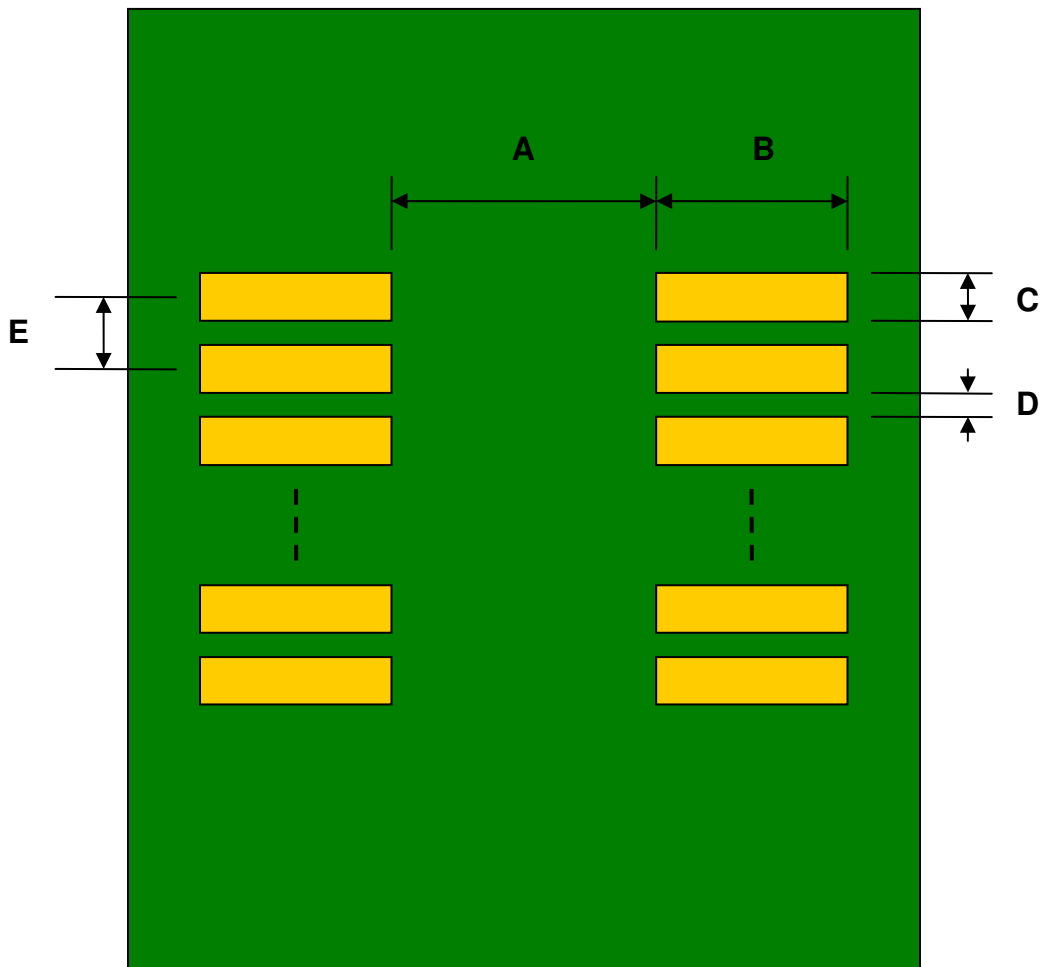


DFN-8/MOS-8 to DIP-8 SMT Adapter (0.97 mm pitch, 3.94 x 2.36 mm body)

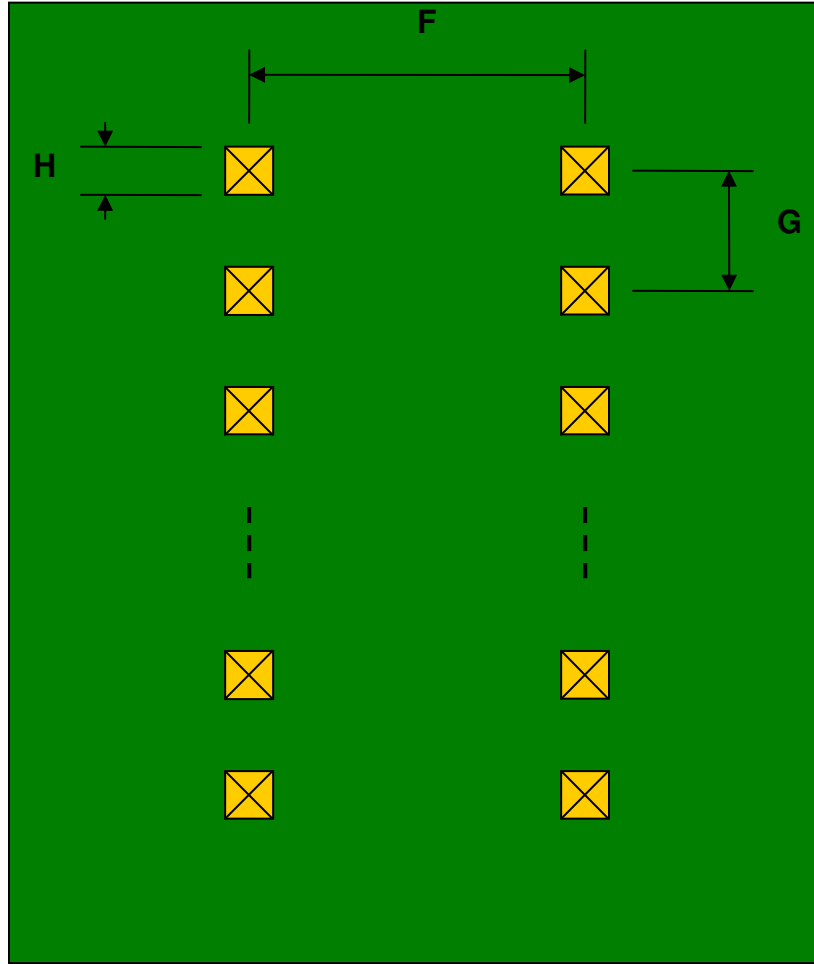
REF.	DIMENSIONS					
	mm			inches		
	MIN.	TYP.	MAX.	MIN.	TYP.	MAX.
A		0.80				
B		0.60				
C		0.72				
D		0.25				
E		0.97				
F					0.600	
G					0.100	
H					0.025	

Top View (SMT Footprint)



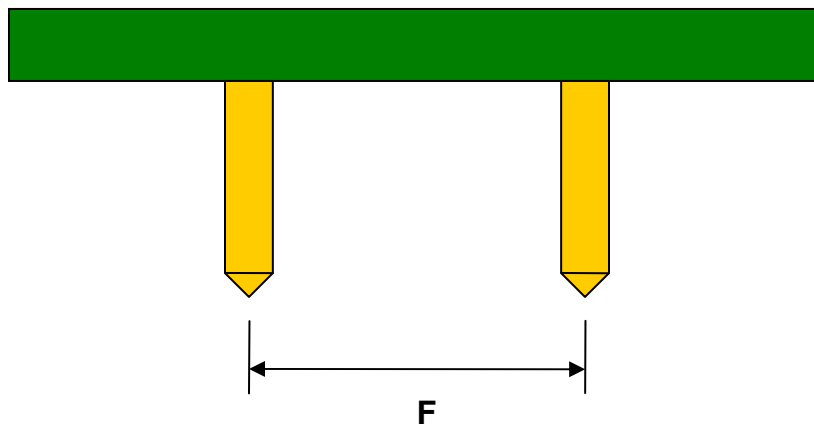
(Representative drawing only - not to scale)

Bottom View (DIP Pins)



(Representative drawing only - not to scale)

Side View (DIP Pins)



(Representative drawing only - not to scale)