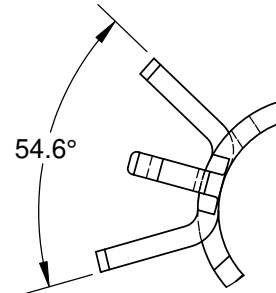
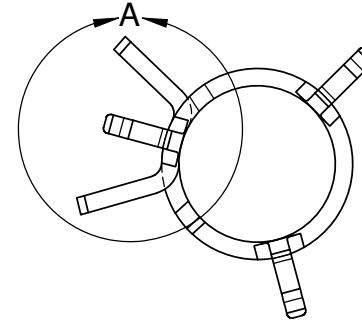
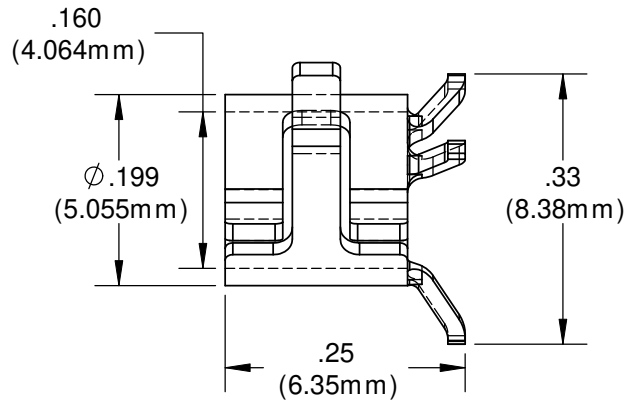
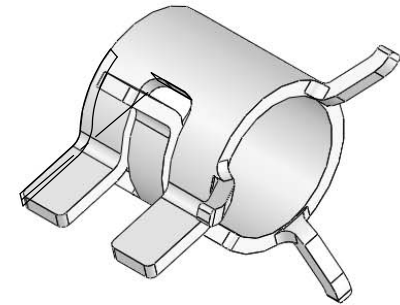


NOTES:  
 1) FINISH: Nickel Plate  
 2) U.S. & Foreign Pat. Issued & Pend.

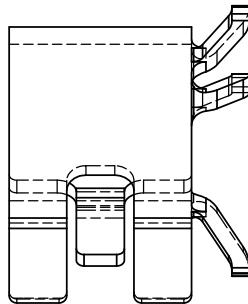
REVISIONS				
ECN #	REV	DESCRIPTION	DATE	INITIALS
	N/A	INITIAL RELEASE	2/17/99	JS
	A	CHANGE R.005 TO R.015;P/N WAS CLV NOW RTN	5/00	JS
	B	CHANGE $\phi$ .090 TO $\phi$ .070	6/28/02	JS
	001	REVISED PER ECR111009AZ01	2/16/10	KH



DETAIL A  
 SCALE 6 : 1



ISOMETRIC VIEW



<small>UNLESS OTHERWISE SPECIFIED          DIMENSIONS ARE IN INCHES:          ANGLES DECIMALS  <math>\pm 1'</math> .X <math>\pm</math>.020          .XX <math>\pm</math>.010          FINISH .XXX <math>\pm</math>.005          BREAK ALL CORNERS AND SHARP          EDGES .250 MAX</small>	MATERIAL SPRING STEEL (C1050)		<b>VISUAL COMMUNICATIONS COMPANY</b> 190 Bosstick Boulevard, Suite 101 San Marcos, CA 92069 USA Phone (760) 560-1300 Fax (760) 560-1301 email vccsales@vccllite.com	
	FINISH SEE NOTES		TITLE: <b>RTN 250</b>	
 <small>THIRD ANGLE PROJECTION</small>	APPROVALS DRAWN K.Howard CHECKED DPZ	DATE 2/16/10 2/22/10	SIZE <b>A</b>	DWG. NO. <b>RTN 250</b>
	DO NOT SCALE DRAWING		REV <b>001</b>	SCALE: 5:1
			SHEET 1 OF 1	