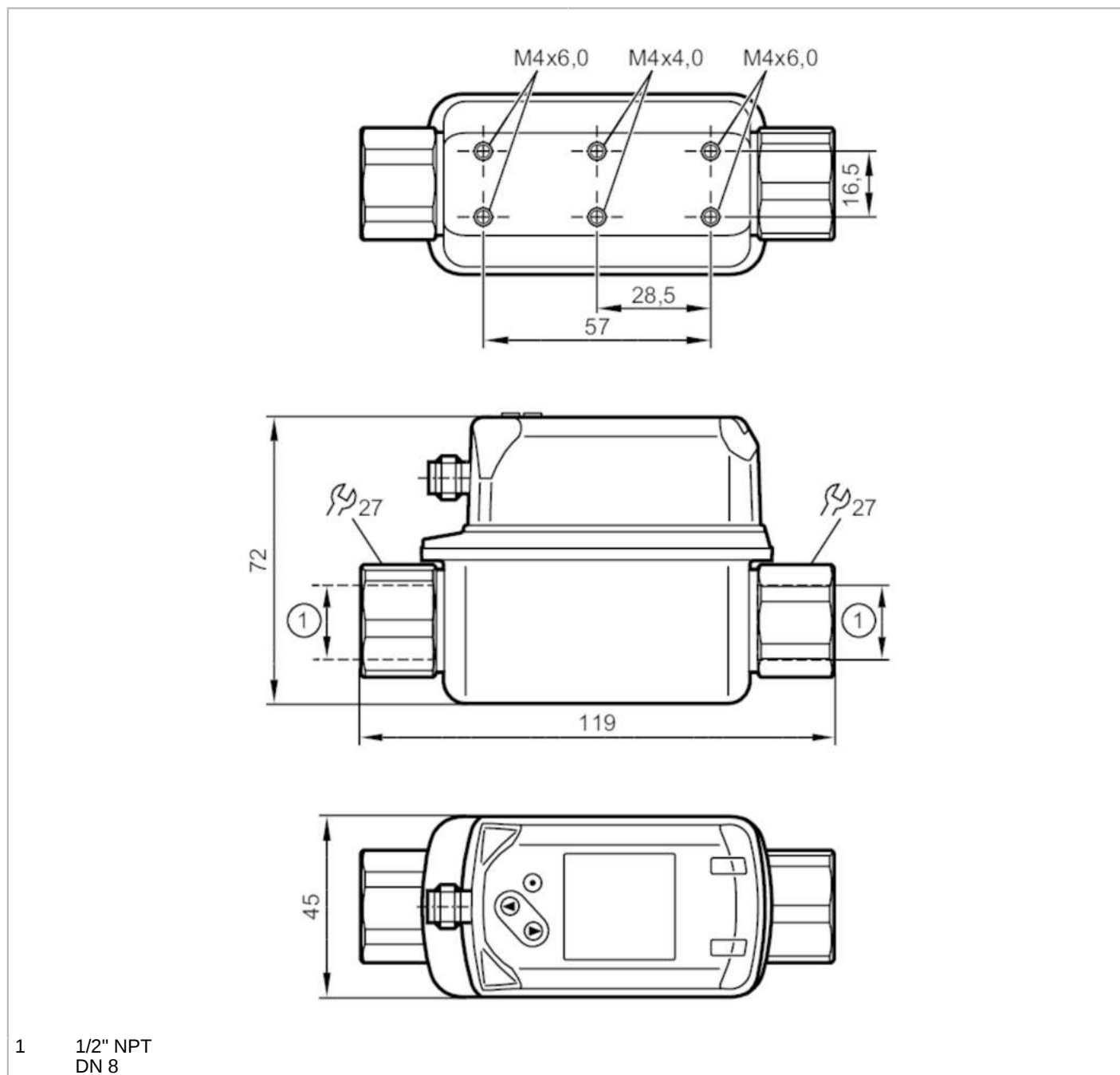


# SV4614



## Vortex flow meter with display

SVN12XXX50KG/US-100



1 1/2" NPT  
DN 8



Product characteristics	
Number of inputs and outputs	Number of analogue outputs: 2
Measuring range	16...317 gph      0.26...5.28 gpm
Process connection	threaded connection 1/2" NPT DN8
Application	
Special feature	Gold-plated contacts
Application	for industrial applications
Media	water; glycol solutions; coolants
Medium temperature [°F]	14...194

# SV4614



## Vortex flow meter with display

SVN12XXX50KG/US-100

Pressure rating	[bar]	12
Pressure rating	[psi]	174
Note on pressure rating		up to 40 °C
MAWP (for applications according to CRN)	[bar]	3.9

### Electrical data

Operating voltage	[V]	18...30 DC
Current consumption	[mA]	< 30
Min. insulation resistance	[MΩ]	100; (500 V DC)
Protection class		III
Reverse polarity protection		yes
Power-on delay time	[s]	< 3

### Inputs / outputs

Number of inputs and outputs	Number of analogue outputs: 2
------------------------------	-------------------------------

### Outputs

Total number of outputs	2
Output signal	analogue signal
Number of analogue outputs	2
Analogue current output	[mA] 4...20
Max. load	[Ω] 500
Short-circuit protection	yes
Overload protection	yes

### Measuring/setting range

Measuring range	16...317 gph	0.26...5.28 gpm
Display range	0...380 gph	0...6.34 gpm
Resolution	1 gph	0.02 gpm
Analogue start point ASP	0...254 gph	0...4.22 gpm
Analogue end point AEP	63...317 gph	1.06...5.28 gpm
In steps of	1 gph	0.02 gpm
Measuring dynamics		1:20

### Temperature monitoring

Measuring range	[°F]	14...194
Display range	[°F]	-22...230
Resolution	[°F]	1
Set point SP	[°F]	16...194
Reset point rP	[°F]	14...192
In steps of	[°F]	1
Frequency start point, FSP	[°F]	14...158
Frequency end point, FEP	[°F]	50...194

### Accuracy / deviations

#### Flow monitoring

Accuracy (in the measuring range)	± 2 % MEW; (water)
Repeatability	± 0,5 % MEW

# SV4614



## Vortex flow meter with display

SVN12XXX50KG/US-100

<b>Temperature monitoring</b>		
Accuracy	[K]	± 1
<b>Response times</b>		
Flow monitoring		
Response time	[s]	1; (dAP = 0)
Damping process value dAP	[s]	0...5
Temperature monitoring		
Dynamic response T05 / T09	[s]	T09 = 6
<b>Software / programming</b>		
Parameter setting options	Damping for the analogue output dAA; Display unit	
<b>Operating conditions</b>		
Ambient temperature	[°F]	32...140
Note on ambient temperature	medium temperature < 176 °F medium temperature < 194 °F: 32...122 °F	
Storage temperature	[°F]	-4...176
Protection	IP 65; IP 67	
<b>Tests / approvals</b>		
EMC	DIN EN 61000-6-2	
	DIN EN 61000-6-3	
Shock resistance	DIN EN 60068-2-27	5 g (11 ms)
Vibration resistance	DIN EN 60068-2-6	with water / 10...50 Hz 1 mm with water / 50...2000 Hz 2 g
MTTF	[years]	342
UL approval	UL Approval no.	I002
Pressure Equipment Directive	Sound engineering practice; can be used for group 2 fluids; group 1 fluids on request	
<b>Mechanical data</b>		
Weight	[g]	481.5
Materials	stainless steel (1.4404 / 316L); PC; PBT+PC-GF30; PPS; TPE-U	
Materials (wetted parts)	stainless steel (1.4404 / 316L); ETFE; PA 6T; PPS; FKM	
Tightening torque	[Nm]	30
Process connection	threaded connection 1/2" NPT DN8	
<b>Remarks</b>		
Remarks	MW = measured value MEW = Final value of the measuring range	
Pack quantity	1 pcs.	
<b>Electrical connection</b>		
Connector: 1 x M12; coding: A; Contacts: gold-plated		

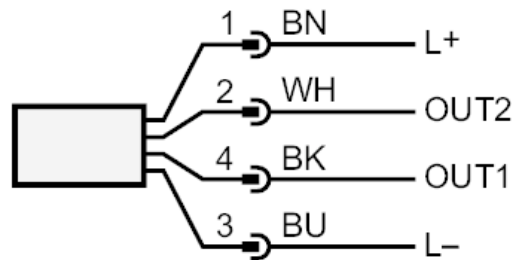
# SV4614



## Vortex flow meter with display

SVN12XXX50KG/US-100

### Connection



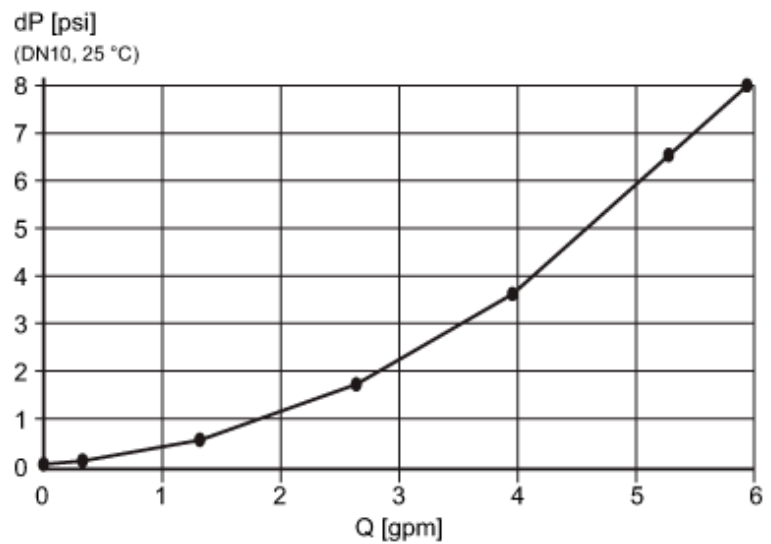
OUT1: analogue output Temperature monitoring  
OUT2: analogue output volumetric flow quantity monitoring  
colours to DIN EN 60947-5-2

Core colours :

BK = black  
BN = brown  
BU = blue  
WH = white

### Diagrams and graphs

#### Pressure loss



dP Pressure loss  
Q volumetric flow quantity

# SV4614



## Vortex flow meter with display

SVN12XXX50KG/US-100

pressure rating (bar)

