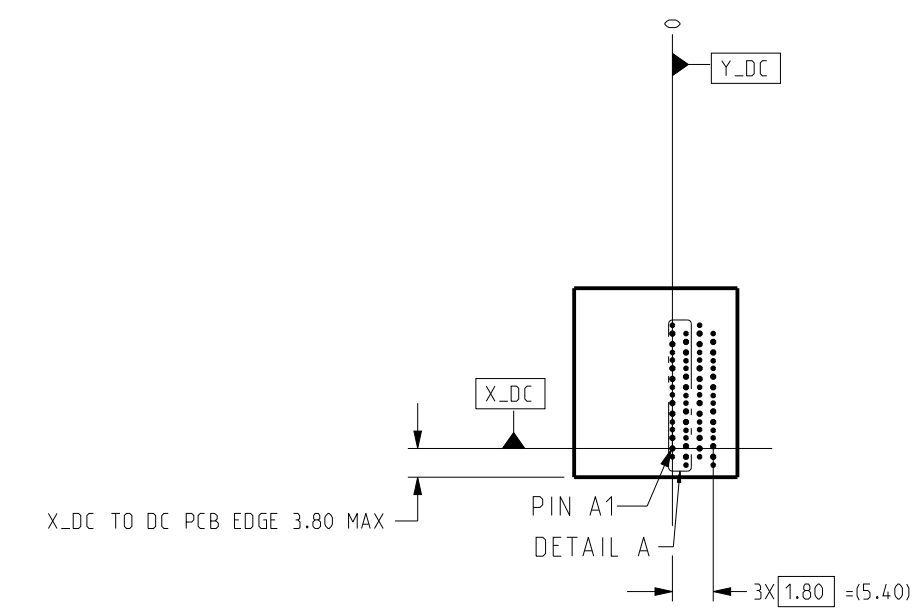
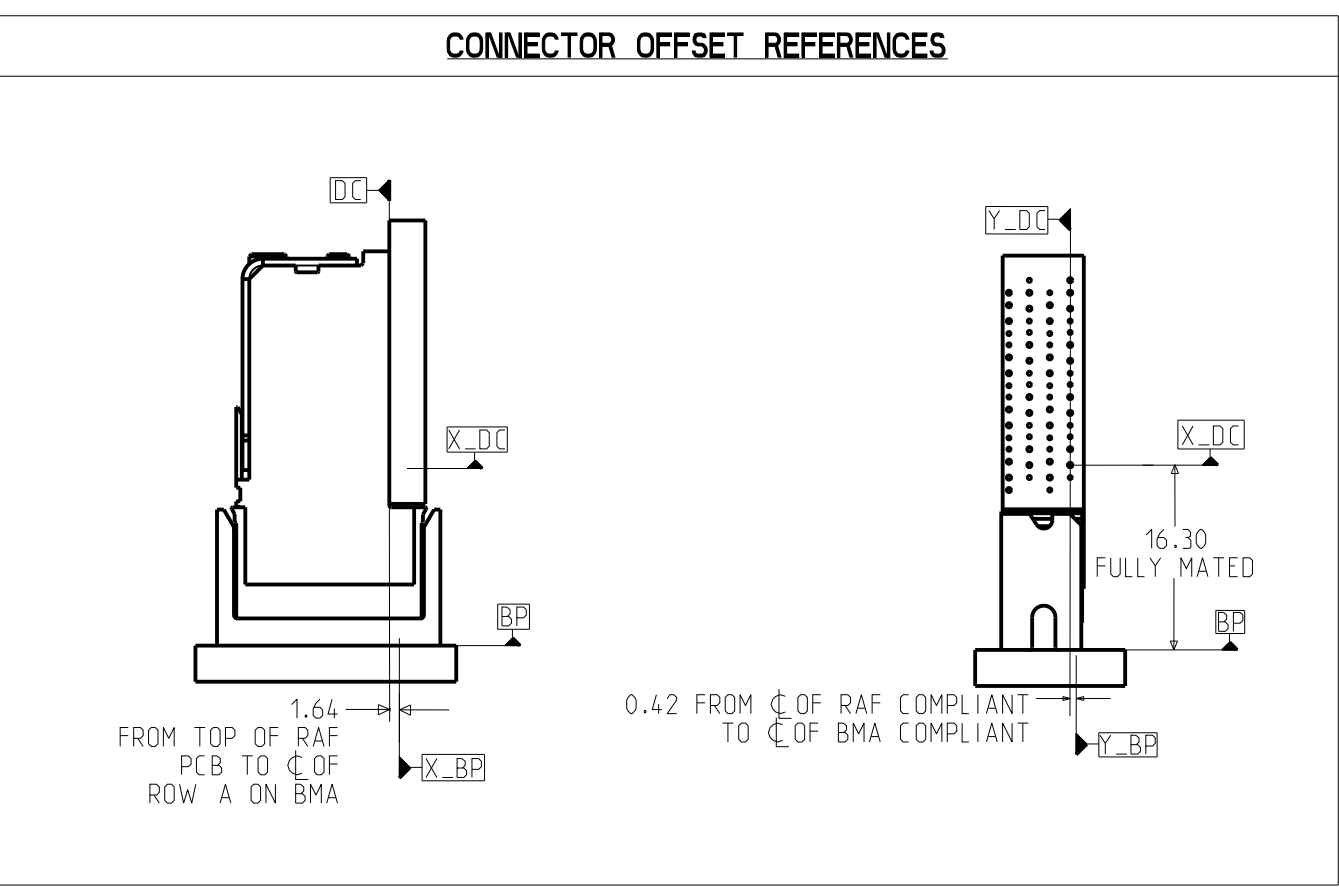
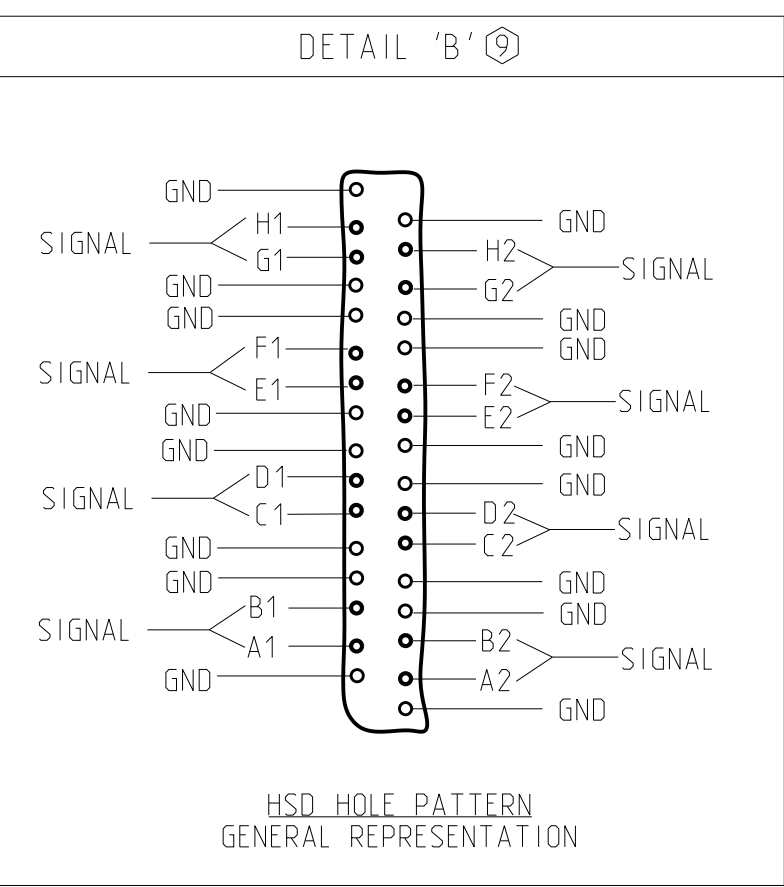
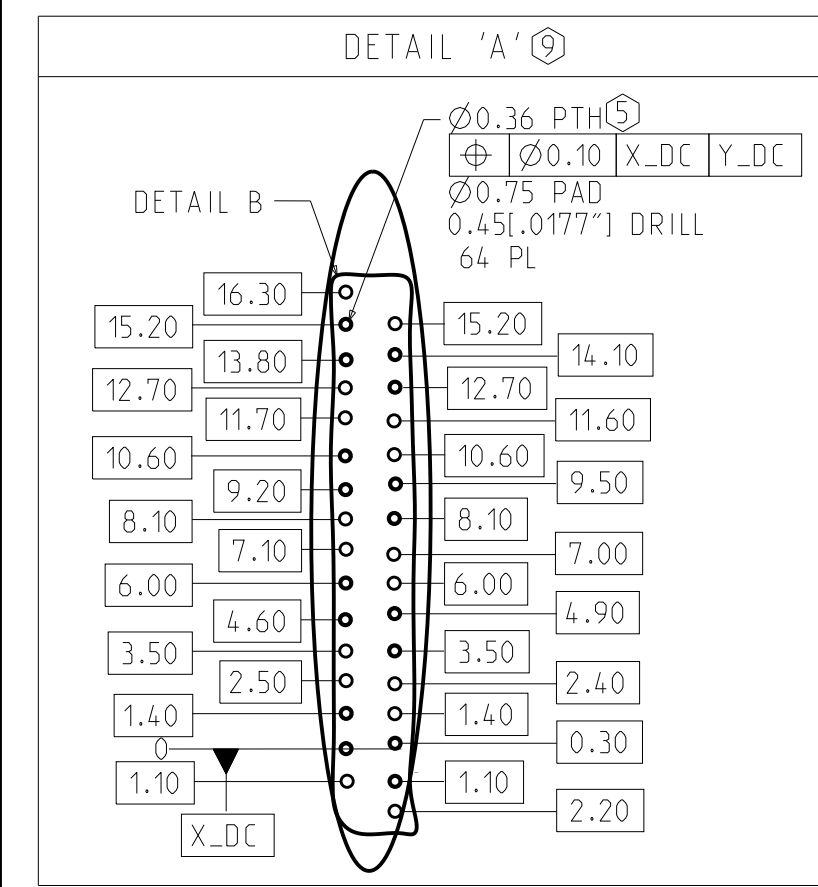
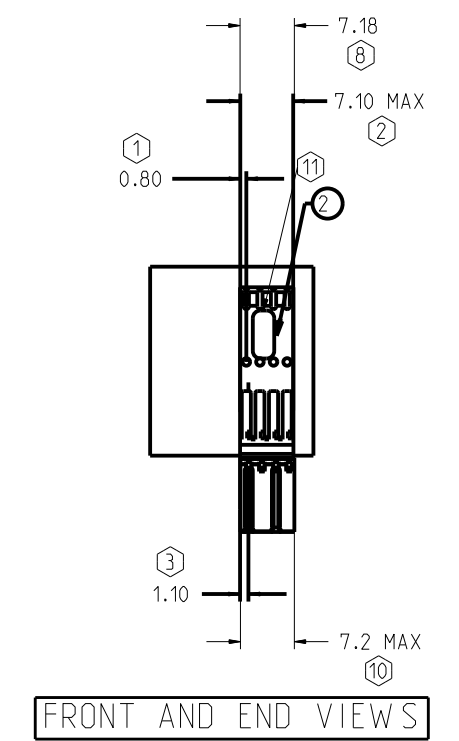


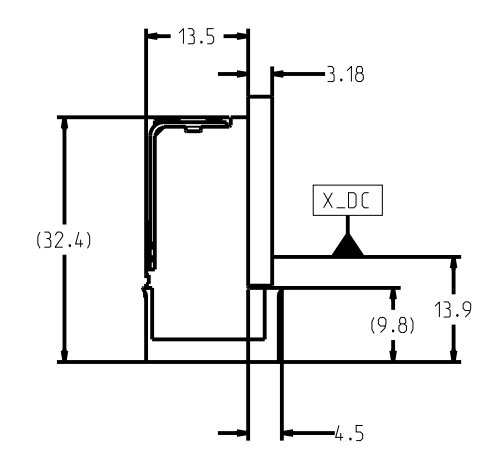
REV	ECN	DESCRIPTION	BY	DATE	APPROVED
A	JLIU-22111606	RELEASE TO PRODUCTION	J.LIU	11/23/2022	J.LIU



FRONT VIEW - DC HOLE PATTERN ONLY, CONNECTOR SIDE REFERENCED FROM LEFT MOST SIGNAL COLUMN, ALL DIMENSIONS BASIC



BOTTOM VIEW MODULE LOCATIONS FROM LEFT END OF PLASTIC



ITEM	PART NUMBER	DESCRIPTION	QTY
1	915-410A-BOH	XCede HD PLUS 4PAIR HSD MOD w/ XG, 4POS, 1000HMS, .0177" DRILL, NANO NI, STD GOLD	1
2	617-1421-007	XCede HD PLUS 4PAIR STIFFENER	1

NOTE: SEE FRONT VIEW FOR STIFFENER LENGTH.

NOTES:

- DISTANCE FROM FIRST STIFFENER PILOT HOLE TO LEFT END OF STIFFENER.
- TOTAL LENGTH OF STIFFENER.
- DISTANCE FROM CENTERLINE OF 1ST COLUMN OF SIGNAL PLATED THRU HOLES TO LEFT EDGE OF CONNECTOR.
- MOUNTING SCREWS AND JOINER MODULES (IF PRESENT) TO BE BAGGED WITH EACH CONNECTOR ASSEMBLY.
- STATED PAD SIZE MAY REQUIRE FILLETING. SEE TB-2237 FOR ROUTING, HOLE WALL PLATING THICKNESS AND FINISHED HOLE SIZE.
- NA.
- REFER TO TB-2307 FOR XCede HD PLUS PRODUCT SPECIFICATIONS.
- OVERALL CONNECTOR LENGTH.
- DETAIL VIEWS ARE NOT TO SCALE. DO NOT SCALE DRAWING.
- FRONT HOUSING WIDTH. CONNECTORS CAN BE USED IN STACKABLE APPLICATION.
- CONNECTOR IS LASER MARKED WITH MANUFACTURING INFORMATION. REFER TO DRAWING C-527-4133-000 FOR MARKING REQUIREMENTS AND DETAILS.

CUSTOMER: DISTRIBUTOR / XHD PLUS WITH EXTRA GROUND 4PAIR X 4. HSD 1000HMS

TOLERANCES	DESIGN	DATE	DESIGNER
0.0	±0.25	10/13/2022	J.LIU
0.00	±0.13	10/13/2022	AUTO GENERATED
0.000	± -	10/13/2022	CHK J.LIU
ANGLES	± 3°	11/23/2022	APVD J.LIU

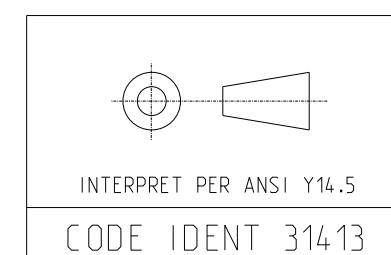
Amphenol TCS
A Division of Amphenol Corporation
200 Innovative Way, Nashua, NH 03062 803.879.3000

TITLE: XCede HD PLUS DAUGHTERCARD ASSEMBLY
4 PAIR CONNECTOR, LEADFREE

PART NO. JX419-50137
DRAWING NO. C-JX419-50137

UNLESS OTHERWISE SPECIFIED DIMENSIONS ARE IN MM AND DECIMAL MARKER IS A PERIOD.

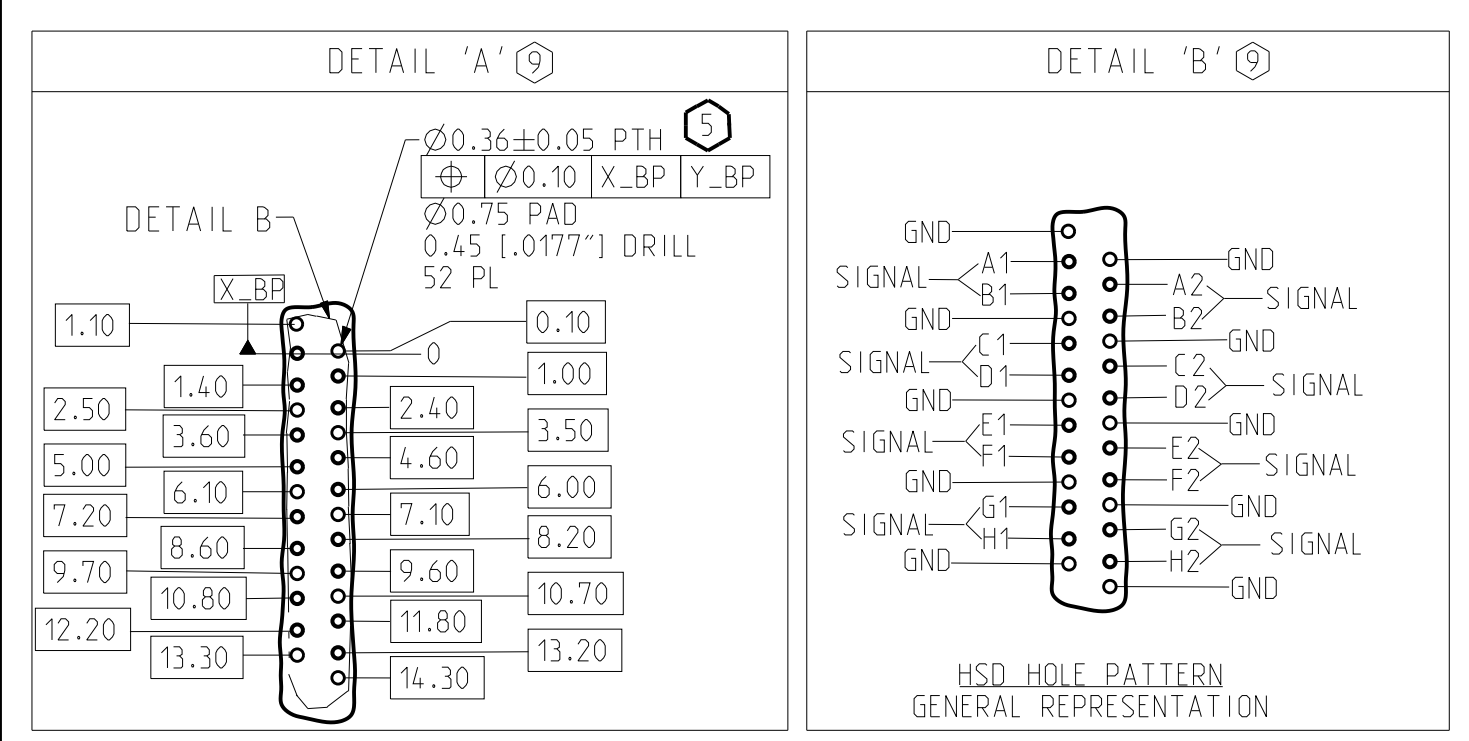
REV A



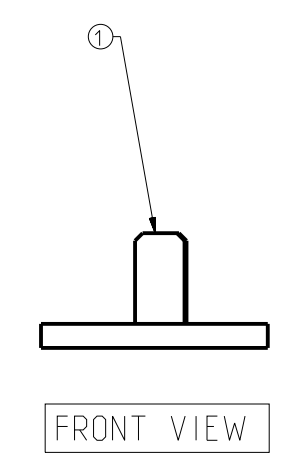
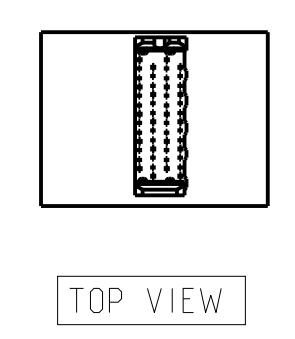
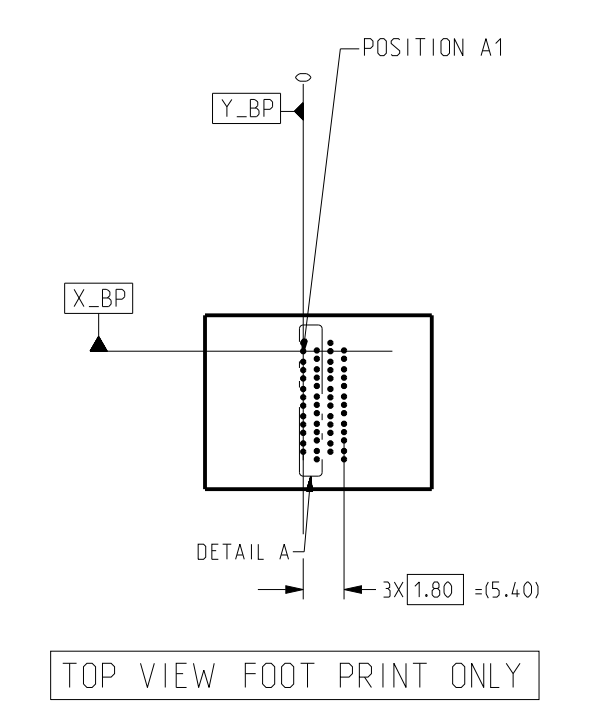
CUSTOMER USE DRAWING

CODE IDENT 31413

REV	ECN	DESCRIPTION	BY	DATE	APPROVED
		SEE SHEET 1			



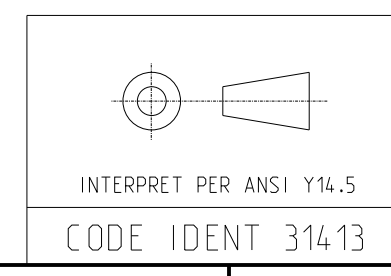
FOR REFERENCE ONLY; FOR SPECIFIC DETAILS, SEE C-USE DRAWINGS FOR BACKPLANE MODULES IN TABLE 2. BACKPLANE COMPONENTS MUST BE PURCHASED SEPARATELY AND MAY DIFFER FROM EXAMPLE SHOWN



ITEM	PART NUMBER	DESCRIPTION	QTY
1	926-401J-40H	XCede HD PLUS 4PAIR 4POS. OPEN. 3MM WIPE, .0177" DRILL, NANO NI, STD GOLD	1

CUSTOMER: DISTRIBUTOR / XHD PLUS WITH EXTRA GROUND 4PAIR X 4, HSD 100OHMS

TOLERANCES	DESIGN	DATE	DESIGNER	Amphenol TCS A Division of Amphenol Corporation 200 Innovative Way, Nashua, NH 03062 603.879.3000	TITLE
0.0	±0.25	10/13/2022	J.LIU		XCede HD PLUS BACKPLANE ASSEMBLY
0.00	±0.13	10/13/2022	AUTO GENERATED		4 PAIR CONNECTOR, LEADFREE
0.000	± -	10/13/2022	J.LIU		PART NO. JX419-50137
ANGLES	± 3°	11/23/2022	J.LIU		DRAWING NO. C-JX419-50137



CUSTOMER USE DRAWING

UNLESS OTHERWISE SPECIFIED DIMENSIONS ARE IN MM AND DECIMAL MARKER IS A PERIOD.	REV A
SIZE D	SCALE 1/1
SHEET 2 OF 2	